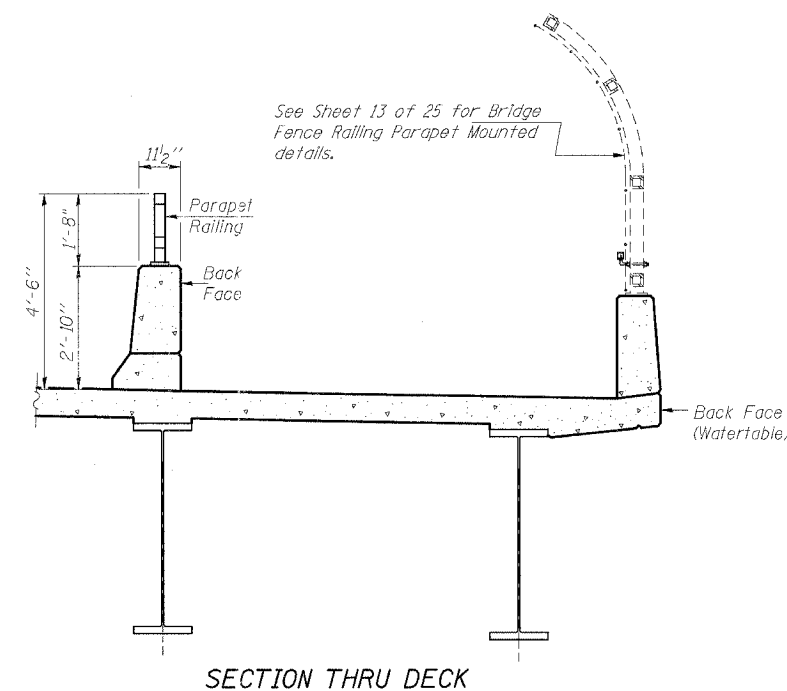
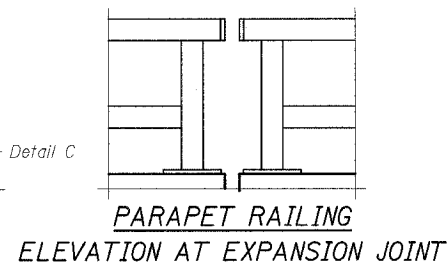
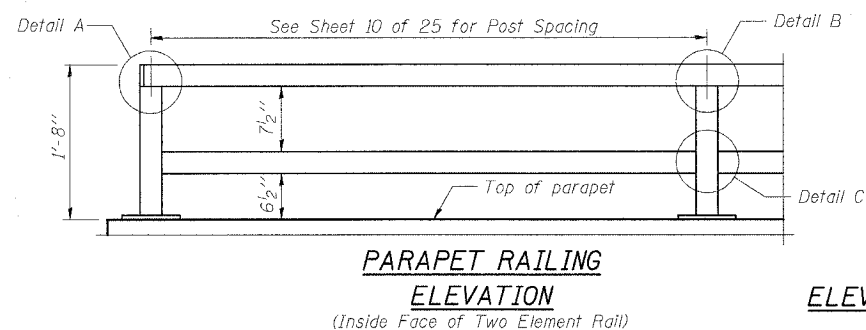
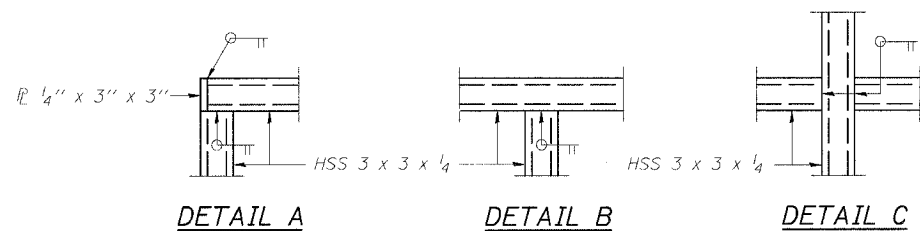


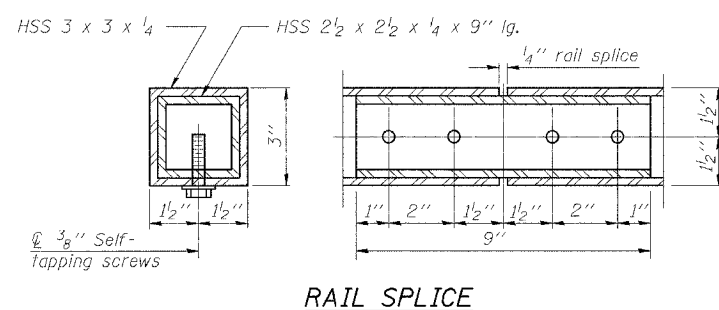
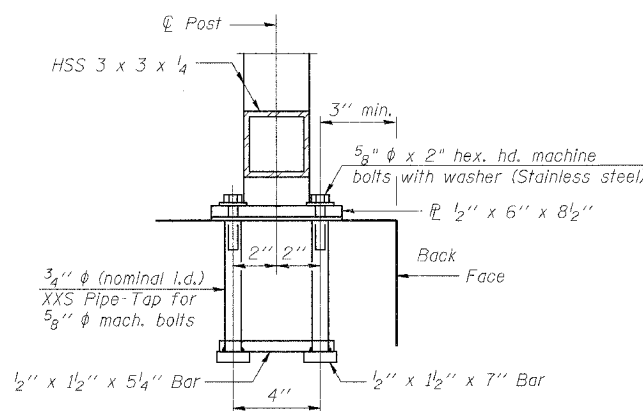
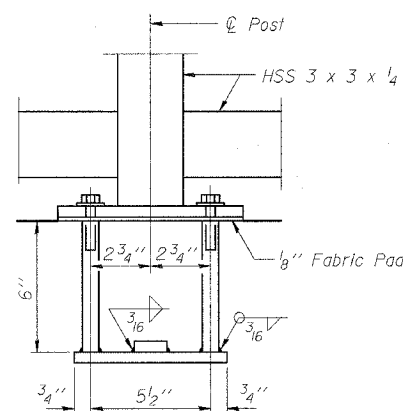
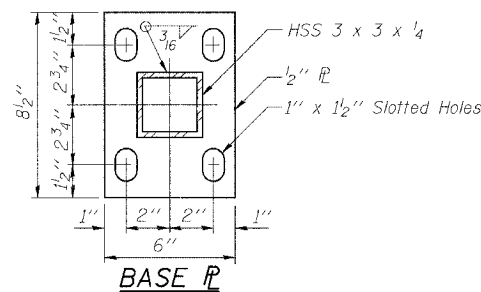
F.A.I. RTE.	SECTION	COUNTY	TOTAL SHEETS	SHEET NO.
57/64	(41-3)HBK	JEFFERSON	518	284
STA.	TO STA.			
FED. ROAD DIST. NO.	ILLINOIS	FED. AID PROJECT		
CONTRACT NO. 98963				

Sheet 14 of 25



NOTE

All steel rail elements shall be galvanized according to Article 509.05 of the Standard Specifications.



BILL OF MATERIAL

Item	Unit	Quantity
Parapet Railing	Foot	260

BICYCLE RAILING
 VETERANS MEMORIAL DR. over F.A.I. ROUTES 57/64
 SECTION (41-3)HBK
 JEFFERSON COUNTY
 STATION 49+72.27
 STRUCTURE NO. 041-0108

© Copyright Hanson Professional Services Inc. 2007



JOB NO.
98S2019A
DATE
03-14-07

March 2007 Submittal
 LAYOUT: MMN 03/12/07
 DRAWN: DAB 03/12/07
 REVIEWED: / /
 LAYOUT: GBR 02/02/04
 DRAWN: AM 02/02/04
 REVIEWED: TEH 02/02/04