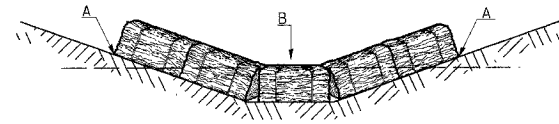


F.A. RTE.	SECTION	COUNTY	TOTAL SHEETS	SHEET NO.
57/64	(41-3)HBK	JEFFERSON	318	300
STA.	TO STA.			
FED. ROAD DIST. NO.	ILLINOIS FED. AID PROJECT			

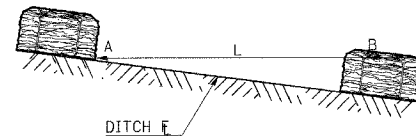
### TEMPORARY DITCH CHECKS

#### PLACEMENT OF TEMPORARY STRAW BALE DITCH CHECK IN DRAINAGEWAY



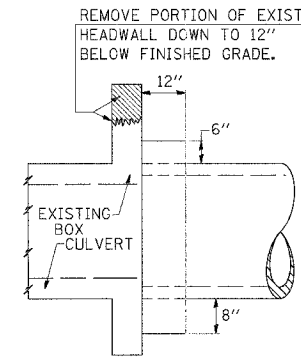
POINTS A SHOULD BE HIGHER THAN POINT B

#### SPACING BETWEEN TEMPORARY DITCH CHECKS

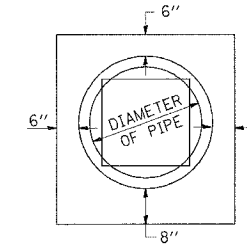


L = THE DISTANCE SUCH THAT POINTS A AND B ARE OF EQUAL ELEVATION  
 B = THE LOW POINT IN CENTER OF CHECK

### DETAILS OF CONCRETE COLLAR



SIDE VIEW



END VIEW

#### TABULATION

DIAMETER OF PIPE	CL CU	SI CONC YDS EST
12"		0.16
15"		0.19
18"		0.21
24"		0.29
30"		0.37
36"		0.44
42"		0.53
48"		0.62
54"		0.71
60"		0.81
72"		1.03

THE CONCRETE COLLAR SHALL BE PAID FOR AT THE CONTRACT UNIT PRICE PER CUBIC YARD FOR **CONCRETE COLLAR**, AS SHOWN ON THE PLANS, WHICH PRICE SHALL INCLUDE THE REMOVAL OF SUCH PORTIONS OF THE EXISTING HEADWALLS AS MAY BE REQUIRED.

CLASS SI CONCRETE SHALL BE USED THROUGHOUT.

REVISIONS	
DRAWN	9-01-99
REVISED	10-3-01
REVISED	
REVISED	

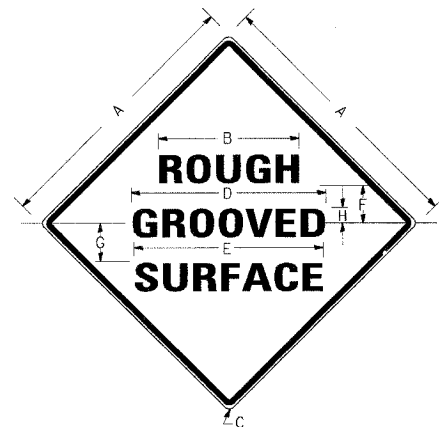
STD. 9-108

REVISIONS	
REDRAWN	2-15-89
REVISED	8-19-94
REVISED	
REVISED	

STD. 9-19

### ILLINOIS STANDARD

W8-I106



#### COLORS:

LEGEND AND BORDER- BLACK NON-REFLECTORIZED  
 BACKGROUND- ORANGE REFLECTORIZED

SIGN SIZE	DIMENSIONS							
	A	B	C	D	E	F	G	H
48X48	48.0	24.1	3.0	34.0	33.0	6.0	13.0	3.5

SIGN SIZE	SERIES LINES			MAR-GIN	BOR-DER	BLANK STD.
	1	2	3			
48X48	7C	7C	7C	0.8	1.2	B4-48D

ALL DIMENSIONS IN INCHES

#### NOTES:

PRIOR TO ALLOWING TRAFFIC ON ANY PORTION OF THE ROADWAY THAT HAS BEEN COLDMILLED, THE CONTRACTOR SHALL HAVE ERECTED "ROUGH GROOVED SURFACE" SIGNS THAT CONFORM TO THE ABOVE DETAILS. A MINIMUM OF ONE SIGN AT EACH END OF THE IMPROVEMENT WILL BE REQUIRED. THE CONTRACTOR SHALL MAINTAIN THE "ROUGH GROOVED SURFACE" SIGNS UNTIL THE COLDMILLED SURFACE IS COVERED WITH LEVELING BINDER OR SURFACE COURSE.

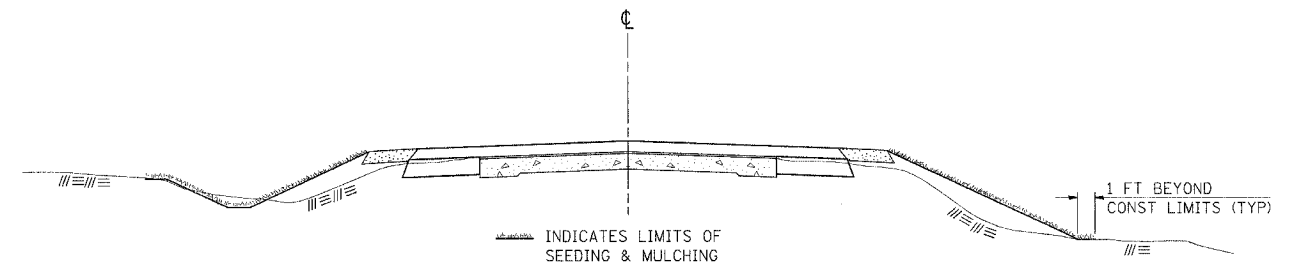
IF AT ANY TIME THE SIGNS ARE IN PLACE BUT NOT APPLICABLE, THEY SHALL BE TURNED FROM THE VIEW OF MOTORISTS OR COVERED AS DIRECTED BY THE ENGINEER.

THE COST OF FURNISHING, ERECTING, MAINTAINING, AND REMOVING THE REQUIRED SIGNS SHALL BE INCLUDED IN THE CONTRACT.

REVISIONS	
REDRAWN	2-15-89
REVISED	4-6-98
REVISED	
REVISED	

STD. 9-39

### SEEDING & MULCHING



#### GENERAL NOTES

IN GENERAL, ALL EARTH SURFACES DISTURBED DURING CONSTRUCTION OPERATIONS SHALL BE SEEDING AND MULCHED UPON COMPLETION OF ALL GRADING OPERATIONS.

FERTILIZER NUTRIENTS AND LIMESTONE SHALL BE APPLIED TO ALL SEEDING AREAS.

THE RATES OF APPLICATION OF FERTILIZER, MULCH AND LIMESTONE SHALL BE AS SPECIFIED IN THE SPECIAL PROVISIONS.

SECTIONS 250 AND 251 OF THE STANDARD SPECIFICATIONS SHALL GOVERN THIS WORK EXCEPT AS SPECIFIED HEREIN OR AS NOTED IN THE SPECIAL PROVISIONS.

REVISIONS	
REDRAWN	2-15-89
REVISED	8-15-94
REVISED	6-3-99
REVISED	

STD. 9-12

PLOT DATE = 03/21/2007 10:22 AM  
 FILE NAME = I:\98080\98080\DOT\98080\98080.dwg  
 PLOT SCALE = 1/16" = 1' / IN.  
 USER NAME = Kay