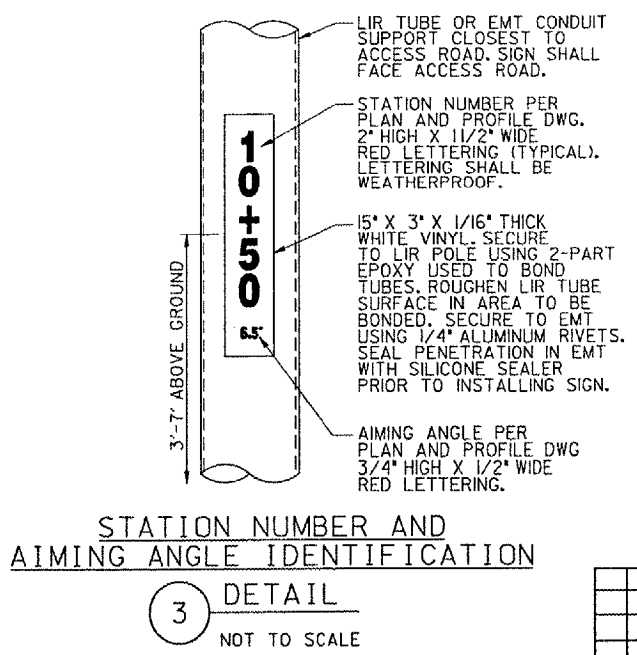
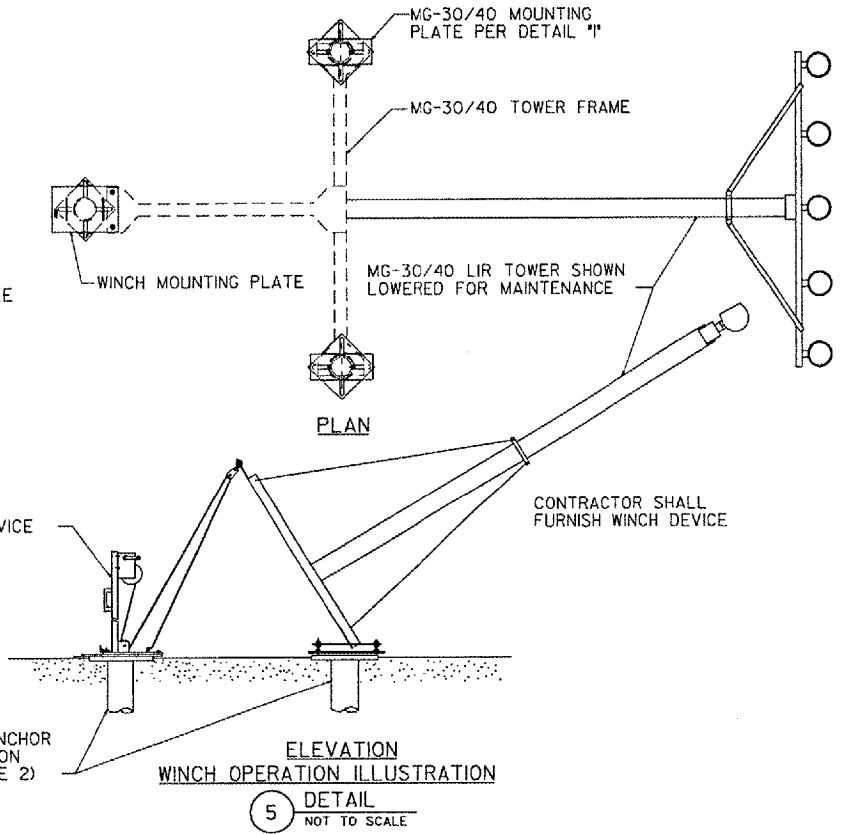
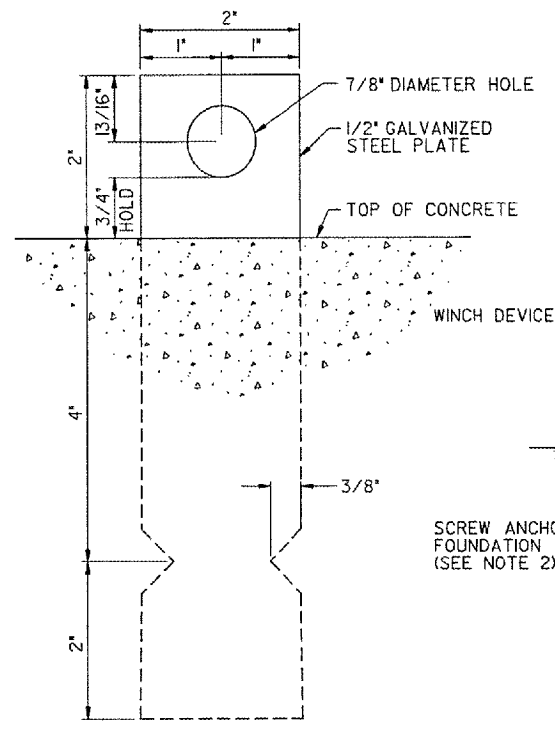
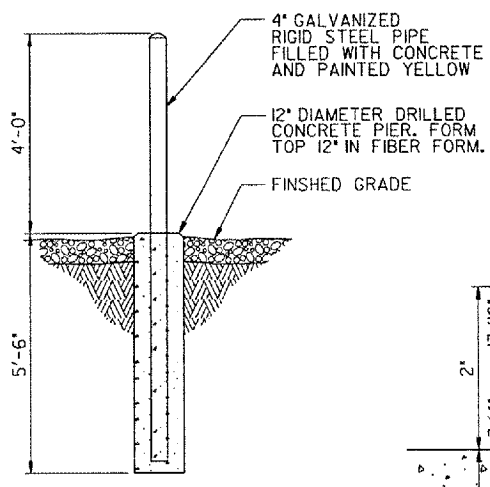
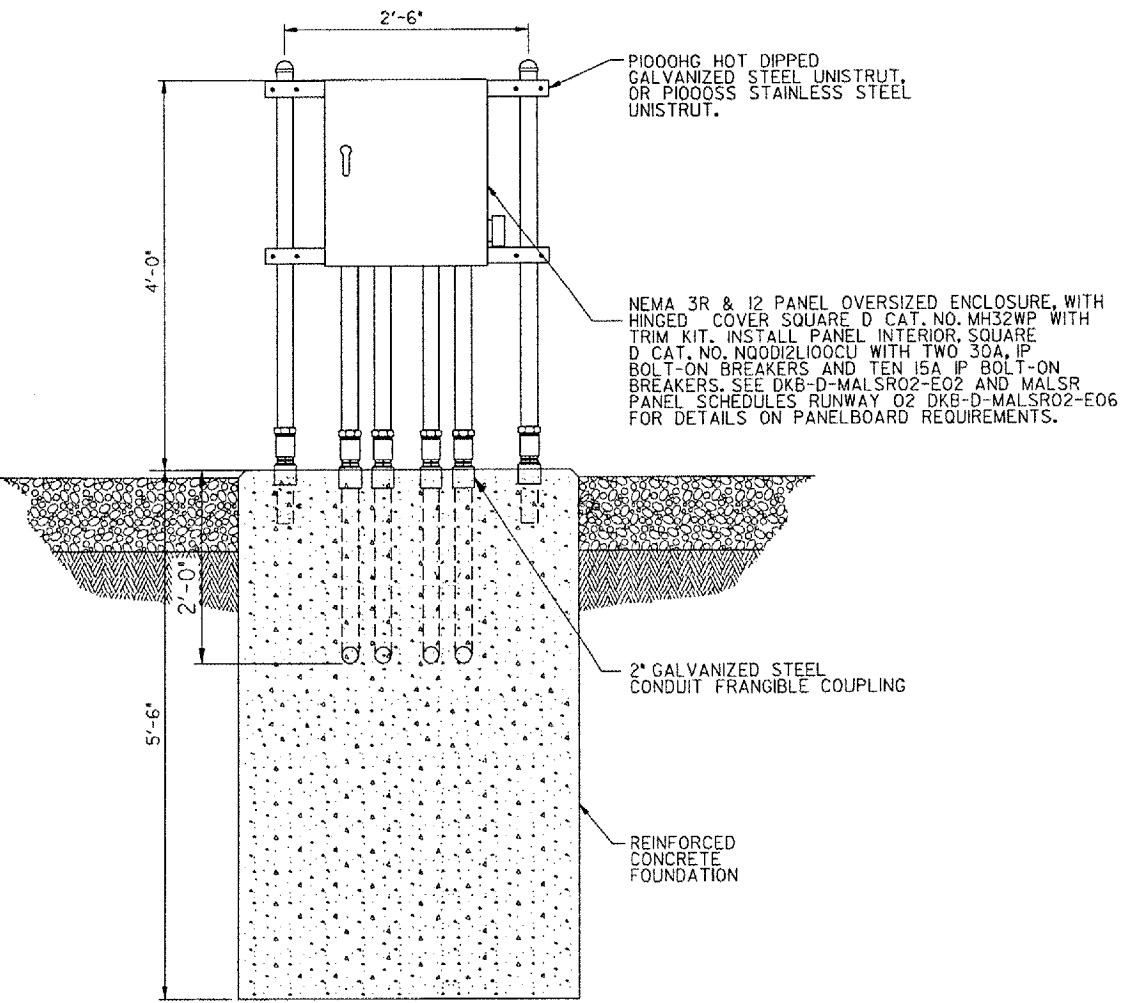
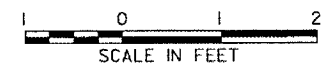


TYPICAL D.E.B. TRENCH CROSS-SECTIONS



DEPARTMENT OF TRANSPORTATION FEDERAL AVIATION ADMINISTRATION GREAT LAKES REGION CHICAGO, ILLINOIS			
MALS MISCELLANEOUS DETAILS RUNWAY 02			
DEKALB		DEKALB TAYLOR MUNICIPAL AIRPORT IL	
REVIEWED BY	SUBMITTED BY	APPROVED BY	
		CLELAND MICHEEL	
PROJ. ENGR.	TAD	ISSUED BY	PLATFORM/MGR.
DATE	TAD	CHICAGO HAS	DATE
DRAWN	TAD	IMPLEMENTATION	JCN
DRAWN	EGS	CENTER	
		DRAWING NO.	REV
		DKB-D-MALSRO2-C14	

PLOT DATE = 06/26/2007 11:05 AM
 FILE NAME = I:\A\Projects\DeKalb\B03-066\EGS\A\Reports\Sheet\Miscellaneous Details.dgn
 PLOT SCALE = 1:1 3/4" = 1"
 USER NAME = ANC