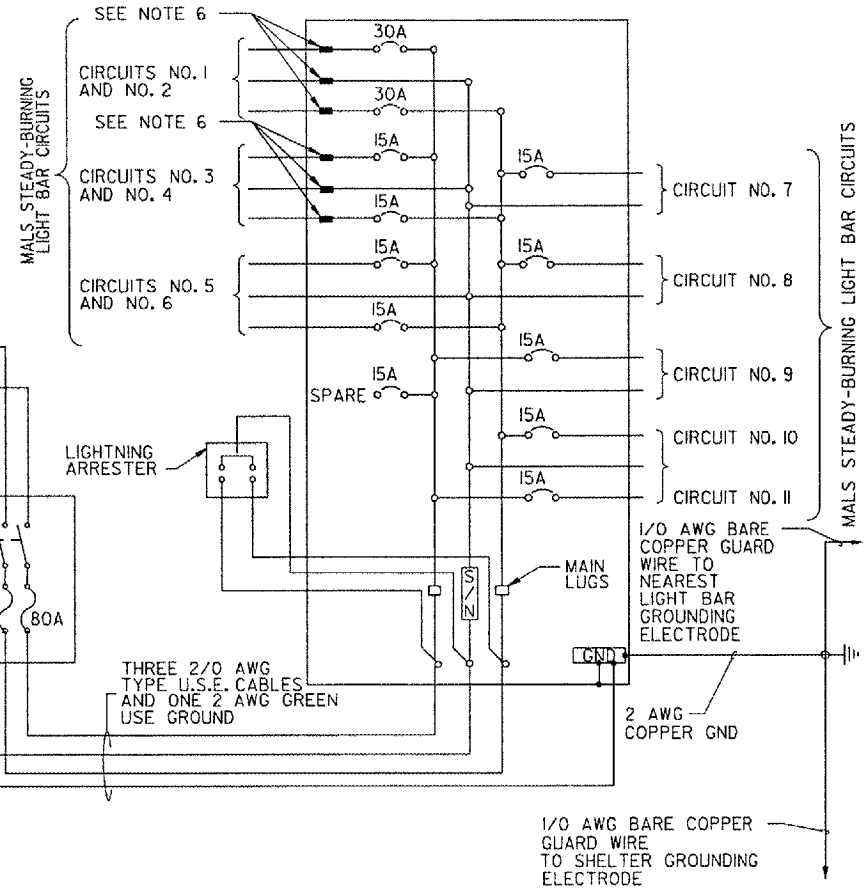


**MALS POWER DISTRIBUTION PANEL**  
 100A, 120/240V, 3-WIRE, S/N PANELBOARD, MAIN LUGS, SQUARE D CAT. NO. N00D2100CU WITH OOB STYLE BREAKERS IN A NEMA 3R PANEL ENCLOSURE, SQUARE D CAT. NO. MH32WP. SEE MALS POWER DISTRIBUTION PANEL SCHEDULE.



- NOTES: CONTINUED:**
- 6 AWG GREEN INSULATED GROUNDING CONDUCTOR IS INSTALLED IN SCHEDULE 40 PVC CONDUIT TO A PERIMETER GROUNDING ROD DIRECTLY FROM MALS TRANSFORMER.
  - CONNECTION IS MADE TO THE TRANSFORMER TAP WHICH GIVES THE VOLTAGE CLOSEST TO 120/240V AT THE MALS DISTRIBUTION PANEL WHEN LAMPS ARE BURNING AT THE HIGH BRIGHTNESS STEP.
  - THE #2/0 AWG MALS THRESHOLD BAR CABLE SHALL BE SPLICED TO AN 8 AWG STRANDED CABLE, TO FIT THE LUGS OF THE 30A BREAKER. THE #4 AWG MALS CABLE SHALL BE SPLICED TO AN 8 AWG STRANDED CABLE TO FIT THE LUGS OF THE 15 AMP BREAKER. AN APPROVED SPLICE IS A TAPE-WRAPPED SPLICE, USING COMPACT COMPRESSION CONNECTORS DESIGNED TO TAP SMALL LIGHTING WIRES FROM SECONDARIES. BURNDY CRIMPIT STREET LIGHTING TAP, CAT. NO. YPC268U IS APPROVED FOR #2/0 AWG TO #8 AWG APPLICATION AND CAT. NO. YPC2ABU IS APPROVED FOR #4 AWG TO #8 AWG APPLICATION.
  - A FIELD-INSTALLED SOLID NEUTRAL KIT IS INSTALLED IN THIS DISCONNECT SWITCH.

- NOTES: CONSTRUCTION SHALL BE DONE SUCH THAT:**
- THE FLASHERS FIRE IN SEQUENCE TOWARD THE RUNWAY, STARTING AT THE OUTERMOST UNIT. CONTROL TERMINALS M (MEDIUM INTENSITY STEP) AND H (HIGH INTENSITY STEP) ARE COMMON FOR ALL FLASHERS. EACH FLASHER REQUIRES AN INDIVIDUAL CONDUCTOR FOR THE TRIGGER CIRCUIT.
  - WHERE THIS DRAWING DIFFERS FROM THE MANUFACTURER'S INSTRUCTION BOOK, CONTACT THE PROJECT ENGINEER FOR FURTHER DIRECTION.
  - THE WIRES RUNNING FROM EACH FLASHER INDIVIDUAL CONTROL CABINET (ICC) TO THE FLASHER SPADE LUG CONNECTORS ARE 1/2, 3000V WIRES WHICH COME WITH THE FLASHER EQUIPMENT. IF ADDITIONAL WIRE QUANTITIES ARE NEEDED, THE CONTRACTOR SHALL FURNISH THEM. THE WIRES MUST MEET MILITARY SPECIFICATION MIL-16878/3. THE WIRES SUPPLIED WITH THE EQUIPMENT HAVE FEMALE SPADE LUGS. THE FLASHER LIGHT UNITS COME WIRED WITH FIVE 48"-LONG PIGTAILS HAVE MALE SPADE LUGS. WIRE THE FLASHER PER MANUFACTURER INSTRUCTIONS.
- NOTES ARE CONTINUED.

MASTER FILE: WIRING DIAGRAM FOR MALS TYPE FA-9994.DGN

DEPARTMENT OF TRANSPORTATION FEDERAL AVIATION ADMINISTRATION GREAT LAKES REGION		CHICAGO, ILLINOIS	
<b>MALS EQUIPMENT WIRING DIAGRAM FOR TYPE FA-9994 RUNWAY 02</b>			
DEKALB		DEKALB TAYLOR MUNICIPAL AIRPORT	
REVIEWED BY	SUBMITTED BY	APPROVED BY	
PROJ. ENGR.	DATE	ISSUED BY	PLATFORM MGR.
DATE	TAD	ISSUED BY	DATE
DRAWN	TAD	IMPLEMENTATION	DATE
DRAWN	EGS	CENTER	DATE
DKB-D-MALSRO2-E02		REV	

PLOT DATE = 06/26/2007 11:03 AM  
 FILE NAME = I:\Airports\ADEX\ALEX\B02-08ELEC\Airport\Sheets\Micro-Station\Wiring Diagram For MALS Type FA-9994.dgn  
 PLOT SCALE = 1:11.7592 1/4" / IN.  
 USER NAME = ANC

WIRING IS BASED ON MULTIELECTRIC MFG. MALS. CONFIRM WIRING WITH THE RESPECTIVE MALS MANUFACTURER.