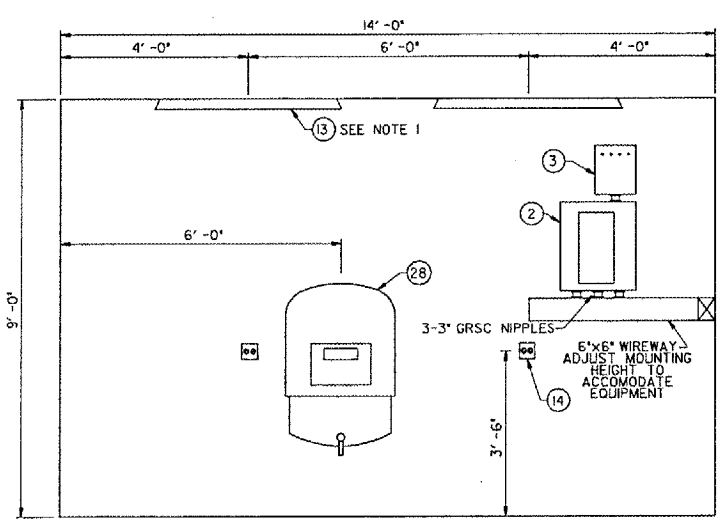
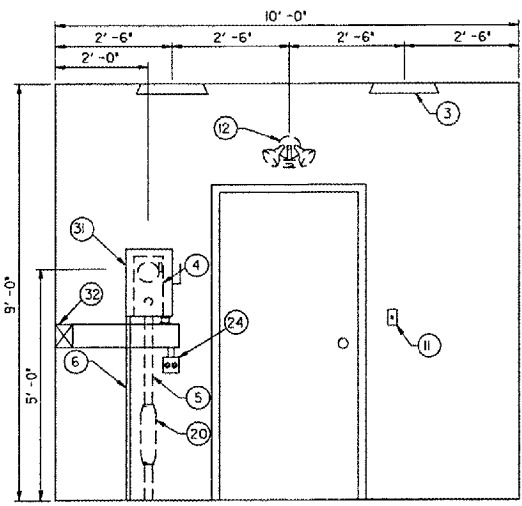


REAR WALL INTERIOR ELEVATION
SECTION A



RIGHT WALL INTERIOR ELEVATION
SECTION B



FRONT WALL INTERIOR ELEVATION
SECTION C

- NUMBERED LEGEND:** (F&I = FURNISH & INSTALL, I = INSTALL, BO = INSTALLED BY FAA INSTALLATION PERSONNEL)
- F&I 1 REINFORCED CONCRETE FOUNDATION AND WOOD FRAME EQUIPMENT SHELTER
 - F&I 2 POWER PANEL, SQUARE "D" CAT NO. N00D20M00C0 IN NEMA 1 ENCLOSURE WITH BOLT-ON BREAKERS. SEE DRAWING DKB-D-GS02-E02 FOR BREAKER ASSIGNMENTS.
 - F&I 3 AC SURGE ARRESTER, LIGHTING PROTECTION CORP. CAT. NO. LPC 2020-BU-G.
 - F&I 4 ELECTRIC POWER METER. SEE SITE PLAN FOR POWER PROVISION DETAILS.
 - F&I 5 THREE 2 AWG TYPE U.S.E. POWER CABLES IN 2" GALVANIZED RIGID STEEL CONDUIT. SEE SITE PLAN FOR POWER SOURCE LOCATION AND POWER PROVISION DETAILS.
 - F&I 6 1" SCHEDULE 40 PVC CONDUIT WITH 2 AWG BARE STRANDED COPPER GROUNDING ELECTRODE CONDUCTOR FROM SERVICE DISCONNECT GROUND BUS TO GROUND ROD.
 - F&I 7 24" X 24" X 8" CONTROL CABLE JUNCTION BOX, NEMA 1, HOFFMAN A24N24BLP WITH PANEL, HOFFMAN A-24N24MP MEETS SPECIFICATIONS.
 - F&I 8 36" X 30" X 12" RF JUNCTION BOX, NEMA 3R, HOFFMAN A36R30I2HCR WITH PANEL, HOFFMAN A36P30 MEETS SPECIFICATIONS.
 - F&I 9 6" X 6" X 4" POWER JUNCTION BOX, NEMA 3R, HOFFMAN A6R64HCR WITH PANEL, HOFFMAN A-6N6P MEETS SPECIFICATIONS.
 - F&I 10 HVAC THRU-WALL UNIT, 11,000 BTU A/C, 3.6 KW HEAT. BARD CAT. NO. WA121-A03EX4XXJ MEETS SPECIFICATIONS. PROVIDE SHOP DRAWINGS FOR SUBSTITUTIONS.
 - F&I 11 LIGHT SWITCH PER NOTE 1.
 - F&I 12 SECURITY FLOODLIGHT WITH DIE-CAST METAL LAMP COVERS, 75 W, 120V PAR-38 INCANDESCENT LAMPS (2), PHOTO AND MOTION CONTROLLED, ADJUSTABLE TIME AND SENSITIVITY SETTINGS, REGENT MODEL NO. SV275RW (WHITE FINISH) BY COOPER LIGHTING PRODUCTS MEETS SPECIFICATIONS.
 - F&I 13 4'-LONG 2-LAMP-TUBE FLUORESCENT LIGHT FIXTURE, SURFACE-MOUNTED, 120-VOLT, WITH WRAPAROUND ACRYLIC LENS ENCLOSURE AND TWO 48"-LONG, 32-WATT, T-8 FLUORESCENT LAMP TUBES, TYPE F32, HOLOPHANE MODEL NO. HW-S-M-4-D-S-H71-042-LP-I-I-RIFI MEETS SPECIFICATIONS.
 - F&I 14 DUPLEX RECEPTACLE PER NOTE 1.
 - F&I 15 MAIN COPPER GROUNDING PLATE WITH PLASTIC COVER. SEE NOTE 4.
 - F&I 16 2" PVC CONDUIT WITH TWO 4/0 AWG THWN GROUNDING CONDUCTORS FROM MAIN GROUNDING PLATE. SEE NOTE 3.
 - F&I 17 4/0 AWG BARE COPPER COUNTERPOISE 4'-0" BELOW GRADE. SEE NOTE 3.
 - F&I 18 3/4" X 10' COPPERCLAD GROUNDING ROD.
 - F&I 19 6 AWG BARE COPPER GROUNDING CONDUCTOR BONDED TO BOTH ENDS OF GRS CONDUIT. SEE NOTE 3.
 - F&I 20 EXPANSION COUPLING, 4" MIN TRAVEL. APPLETON EXPANSION COUPLINGS MEET SPECIFICATIONS.
 - F&I 21 2 1/2" PVC CONDUIT TO GLIDE SLOPE ANTENNA TOWER WITH SIGNAL CABLES TO ANTENNAS.
 - F&I 22 1" GRS CONDUIT TO GLIDE SLOPE ANTENNA TOWER WITH POWER CONDUCTORS FOR OBSTRUCTION LIGHT AND ANTENNA HEATERS.
 - F&I 23 1 1/4" GALVANIZED RIGID STEEL CONDUIT FOR FLIGHT CHECK ANTENNA. CONDUIT SHALL EXTEND TO 12" ABOVE ROOF PEAK. SECURE CONDUIT TO SHELTER USING 2-HOLE STRAPS.
 - F&I 24 2" GRS CONDUIT FOR FUTURE USE. CAP END BELOW GRADE AND MARK LOCATION WITH A BURIED CABLE MARKER.
 - I 25 GLIDE SLOPE ELECTRONIC SUBSYSTEM RACK.
 - I 26 GLIDE SLOPE DISTRIBUTION UNIT AND COMBINING UNIT.
 - F&I 27 2" EMT CONDUIT.
 - F&I 28 EYE WASH STATION, FEND-ALL NO. 6J-D83 OR EQUAL.
 - BO 29 FIBER OPTICS EQUIPMENT RACK (FUTURE)
 - I 30 FLOOR-MOUNTED BATTERY BOXES (2 REQUIRED).
 - F&I 31 SERVICE DISCONNECT. LOCATE ON SHELTER INTERIOR WALL.
 - F&I 32 6"x6" WIREWAY.

- NOTES:**
1. LIGHT FIXTURES, POWER PANEL, SURGE ARRESTER, RECEPTACLES, AND LIGHT SWITCHES SHALL BE SURFACE MOUNTED. CONDUIT RUNS SHALL BE INSTALLED PLUMB OR HORIZONTAL WITH MINIMUM NUMBER OF BENDS.
 2. EXTERIOR WALL PENETRATIONS SHALL BE SEALED WITH WATERPROOF SILICONE CAULK.
 3. ALL GROUNDING CONDUCTORS AND GROUND RODS SHALL BE ATTACHED TO COUNTERPOISE USING EXOTHERMIC WELDS PER SPECIFICATIONS.
 4. SEE DWG DKB-D-ILS/ALS02-E01 FOR GROUNDING PLATE INSTALLATION DETAILS.
 5. FURNISH AND INSTALL TELEPHONE SERVICE TO SHELTER.

DEPARTMENT OF TRANSPORTATION FEDERAL AVIATION ADMINISTRATION GREAT LAKES REGION				CHICAGO, ILLINOIS			
GLIDE SLOPE FLOOR PLAN AND INTERIOR ELEVATIONS 10' X 14' WOOD FRAME EQUIPMENT SHELTER RUNWAY 02							
DEKALB		DEKALB TAYLOR MUNICIPAL AIRPORT				IL	
REVIEWED BY	SUBMITTED BY		APPROVED BY				
PROJ. ENGR.		ISSUED BY		PLATFORM MGR.			
DATE	TAD	DATE	CHICAGO HAS IMPLEMENTATION CENTER	DATE	JOB		
DRAWN	EGS	DRAWN	EGS	DRAWING NO.	DKB-D-GS02-A02		

PLOT DATE = 03/26/2007, 01:13 PM
 FILE NAME = I:\Airports\DeKalb\B83-06ELEC\Airpor\A\Sheets\Micro-Station Sheets\10' X 14' WOOD FRAME GS FLRPLN.dgn
 PLOT SCALE = 4:1 3/4" = 1' / IN.
 USER NAME = kdc