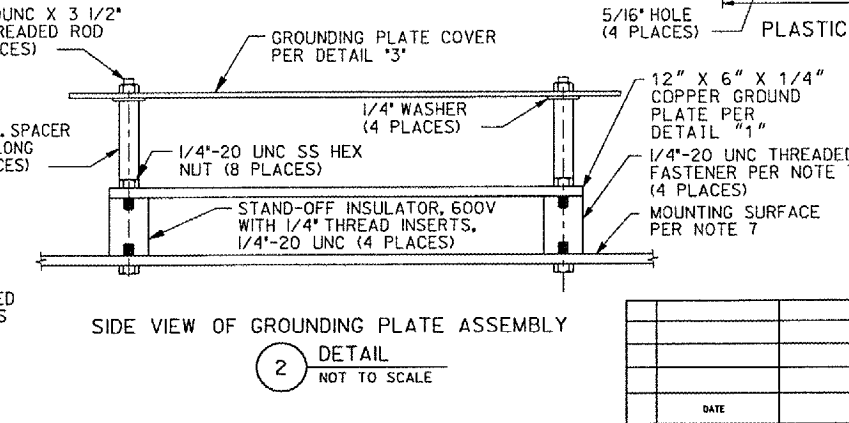
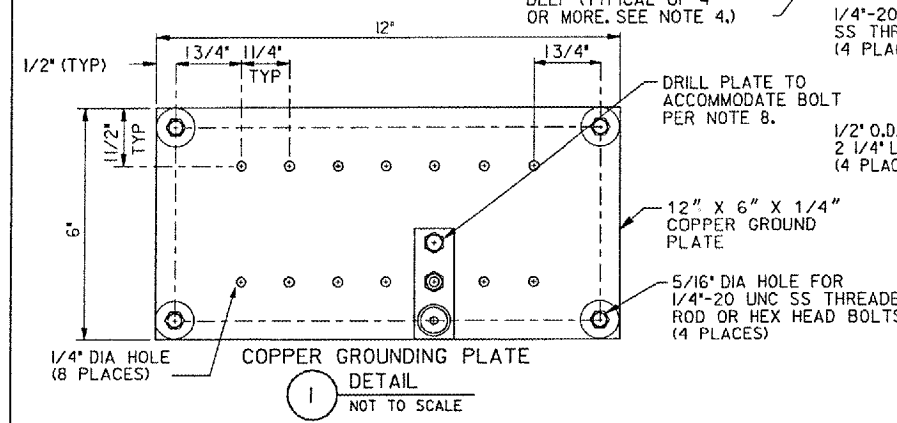
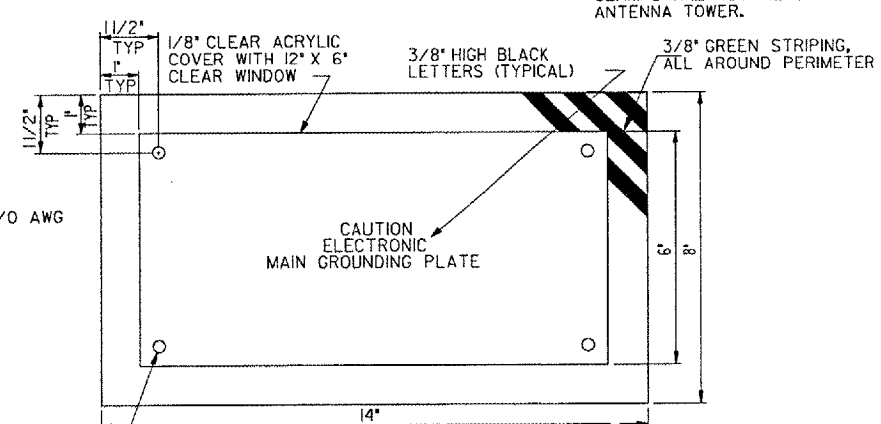
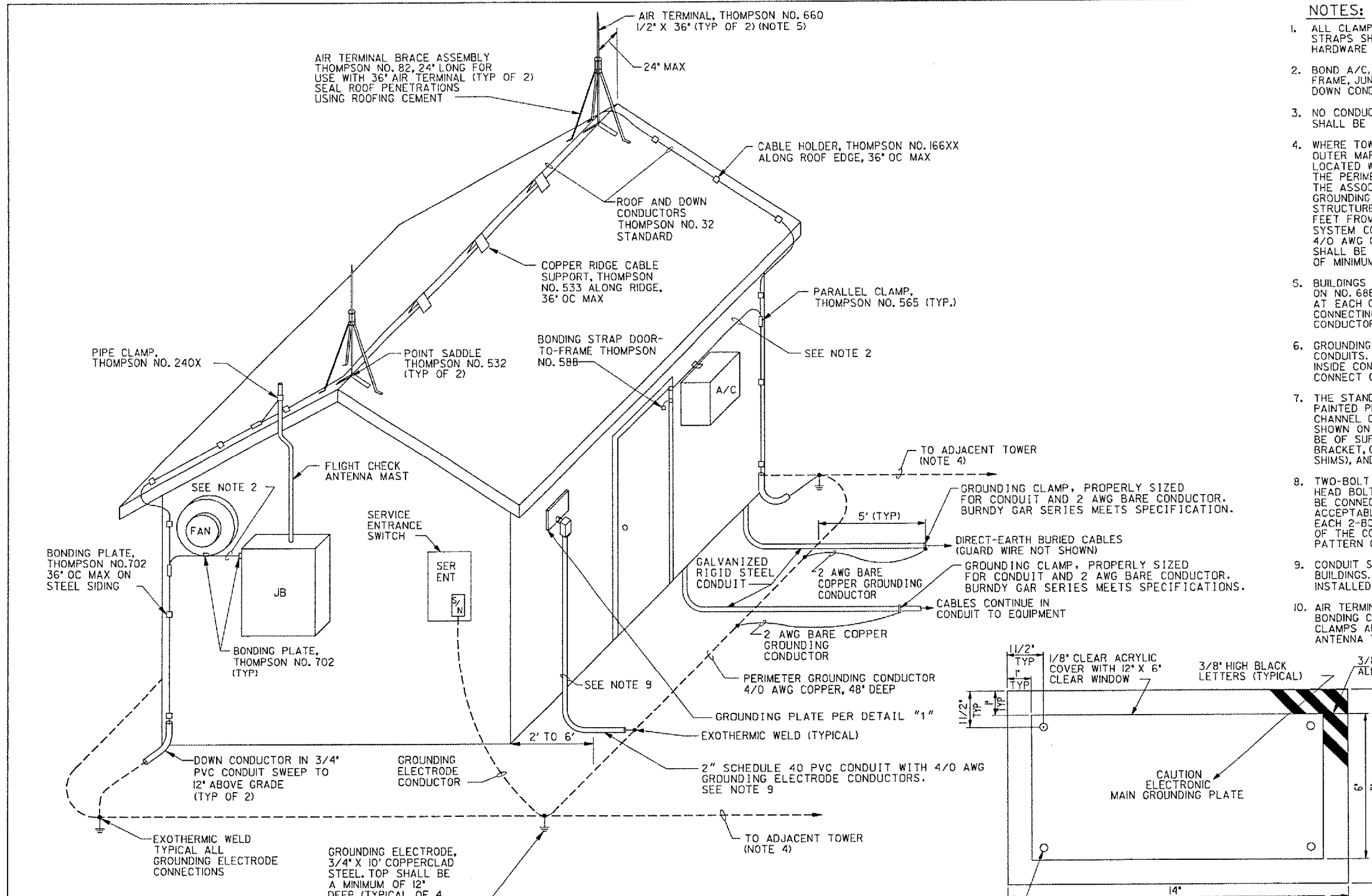


**NOTES:**

1. ALL CLAMPS AND BONDING DEVICES SHALL BE BRONZE, ALL CABLES AND STRAPS SHALL BE COPPER, AND ALL BOLTS, SCREWS, AND FASTENING HARDWARE SHALL BE BRONZE OR BRASS UNLESS OTHERWISE SHOWN.
2. BOND A/C, VENT FAN, HOOD, FLIGHT CHECK ANTENNA MAST, DOOR FRAME, JUNCTION BOXES, AND ANY MISC EXTERIOR METAL OBJECTS TO DOWN CONDUCTORS WITH MIN 6 AWG BARE - THOMPSON NO.14X OR NO. 509X.
3. NO CONDUCTOR SHALL BE BENT TO LESS THAN AN 8" RADIUS NOR SHALL BE BENT TO LESS THAN A 90° ANGLE.
4. WHERE TOWERS OR MASTS SUCH AS GLIDE SLOPE, MIDDLE MARKER, OUTER MARKER, OR FAR FIELD MONITOR TOWERS OR MASTS ARE LOCATED WITHIN 30 FEET OF THE NEAREST PART OF THE BUILDING, THE PERIMETER 4/0 AWG GROUNDING CONDUCTOR SHALL EXTEND AROUND THE ASSOCIATED TOWER OR MAST AND CONNECT TO TWO ADDITIONAL GROUNDING ELECTRODES PLACED ON EITHER SIDE OF THE ASSOCIATED STRUCTURE. ASSOCIATED TOWERS OR MASTS LOCATED FARTHER THAN 30 FEET FROM THE BUILDING SHALL HAVE THEIR OWN PERIMETER GROUNDING SYSTEM CONSISTING OF FOUR GROUNDING ELECTRODES AND SURROUNDING 4/0 AWG COUNTERPOISE. THE SEPARATE PERIMETER GROUNDING SYSTEM SHALL BE CONNECTED TO THE BUILDING SYSTEM BY A BARE CONDUCTOR OF MINIMUM 4/0 AWG SIZE.
5. BUILDINGS WITH FLAT ROOFS REQUIRE A THOMPSON NO. 660LA AIR TERMINAL ON NO. 688F-4 ADHESIVE BASE AND NO. 82 TRIPOD BRACE WITH ADHESIVE FEET AT EACH CORNER AND A PERIMETER ROOF CONDUCTOR (THOMPSON NO. 32) CONNECTING ALL TERMINALS IN PLACE OF RIDGE TERMINALS AND CONDUCTOR AS SHOWN.
6. GROUNDING BUSHINGS SHALL BE INSTALLED AT EACH END OF METALLIC CONDUITS. A NO. 6 BARE COPPER GROUNDING CONDUCTOR SHALL BE ROUTED INSIDE CONDUIT AND SHALL BE BONDED TO EACH GROUNDING BUSHING. CONNECT CONDUCTOR TO A GROUNDING ROD USING AN EXOTHERMIC WELD.
7. THE STAND-OFF INSULATORS SHALL BE SECURED TO THE WALL USING A PAINTED PLYWOOD PANEL SHIMMED OUT FROM THE WALL, GALVANIZED CHANNEL OR METAL MOUNTING BRACKET SCREWED TO THE WALL, OR AS SHOWN ON THE EQUIPMENT SHELTER DRAWING. THE FASTENERS SHALL BE OF SUFFICIENT LENGTH TO PASS THROUGH THE MOUNTING CHANNEL, BRACKET, OR OTHER MOUNTING BODY (INCLUDING WASHERS OR OTHER SHIMS), AND BE SNUG WHEN FULLY ENGAGED IN THE STAND-OFF INSULATOR.
8. TWO-BOLT CONNECTORS WITH SILICON BRONZE 3/8"-16UNC X 1 1/2" HEX HEAD BOLT, NUT, AND LOCK WASHER ARE REQUIRED FOR ALL CONDUCTORS TO BE CONNECTED TO THE GROUNDING PLATES. ONE-BOLT CONNECTORS ARE NOT ACCEPTABLE. NOTE THAT ONLY ONE OF THE HOLES REQUIRED FOR INSTALLING EACH 2-BOLT CONNECTOR IS SPECIFIED IN DETAIL "1". THE INSTALLER OF THE CONNECTOR SHALL DRILL THE SECOND HOLE TO MATCH THE BOLT PATTERN OF THE SELECTED CONNECTOR.
9. CONDUIT SHALL BE INSTALLED ON THE OUTSIDE WALL OF EXISTING BUILDINGS. FOR NEW SHELTER CONSTRUCTION, THE CONDUIT SHALL BE INSTALLED ON THE INSIDE WALL AND ROUTED THROUGH THE FLOOR.
10. AIR TERMINALS, ROOF AND DOWN CONDUCTORS, LIGHTNING PROTECTION BONDING CONDUCTORS, BONDING STRAPS, AND PIPE CLAMPS ARE NOT REQUIRED FOR A GLIDE SLOPE FACILITY HAVING AN ANTENNA TOWER.



DEPARTMENT OF TRANSPORTATION FEDERAL AVIATION ADMINISTRATION GREAT LAKES REGION CHICAGO, ILLINOIS			
ILS/ALS EQUIPMENT SHELTERS LIGHTNING PROTECTION AND ELECTRONIC GROUNDING PLATE DETAILS			
DEKALB		DEKALB TAYLOR MUNICIPAL AIRPORT	
REVIEWED BY	SUBMITTED BY	APPROVED BY	
PROJ. ENGR.	TAD	ISSUED BY	PLATFORM MGR.
DATE	TAD	CHICAGO HAS	DATE
DATE	ECG	IMPLEMENTATION	DATE
DATE	DESCRIPTION	JCN	REV
DATE	DESCRIPTION	JCN	REV

PLOT DATE = 2/25/2007 9:12 PM  
 FILE NAME = J:\Projects\DEKALB\803-86ELEC\Shop\Station Sheets\st-pl-11988b.dgn  
 PLOT SCALE = 2.0000  
 USER NAME = k2d