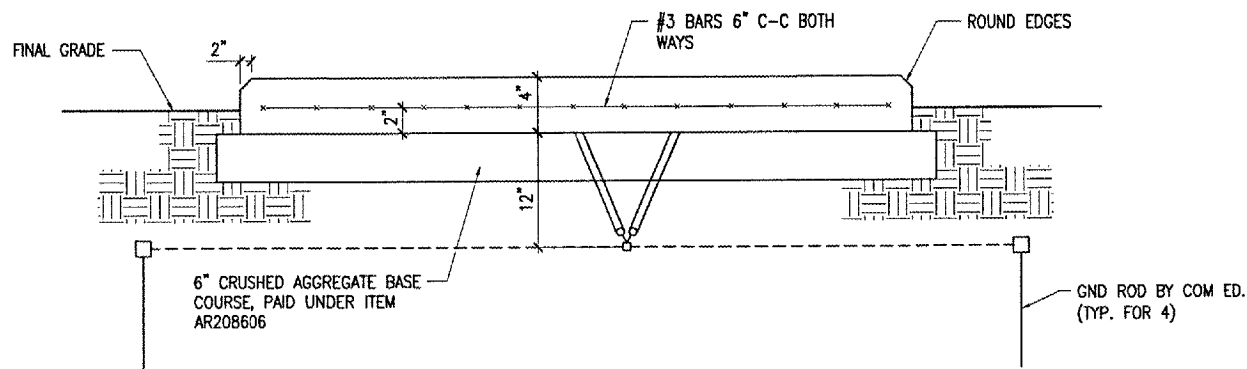


PLAN



SECTION A-A

**CONCRETE UTILITY TRANSFORMER PAD**

**NOTES:**

- TRANSFORMER PAD SHALL CONFORM TO THE SERVING ELECTRIC UTILITY COMPANY'S REQUIREMENTS. REFER TO EXELON SYSTEM STANDARDS C5288 "1-PH COMPT TR PAD-ESS/RSS 167 KVA MAXIMUM CAPACITY" AND C5285 "ESS INSTALLATION REQUIREMENTS USING COMPARTMENTAL TRANSFORMERS". CONTRACTOR SHALL CONFIRM TRANSFORMER PAD REQUIREMENTS WITH THE SERVING ELECTRIC UTILITY COMPANY AND FURNISH & INSTALL A PAD CONFORMING TO THOSE REQUIREMENTS.
- UTILITY CONTACT IS MR. JIM ACKERT, COMMONWEALTH EDISON COMPANY, 17028 SOUTH STATE ROUTE 23, DEKALB, ILLINOIS 60115, PHONE: 815-748-2271, CELL PHONE: 815-409-6175, FAX: 815-748-2267, EMAIL: james.ackert@exeloncorp.com.
- TRANSFORMER PAD AND ALL ASSOCIATED WORK SHALL BE PAID FOR UNDER THE RESPECTIVE SHELTER PAY ITEM (AR127431 10' x 12' SHELTER BUILDING AND AR127432 10' x 14' SHELTER BUILDING).
- CONCRETE PAD MAY BE CAST IN PLACE OR PRECAST. COM ED APPROVED SUPPLIERS OF PRE-CAST PADS INCLUDE THE FOLLOWING:
 

<p>A. ELLER &amp; WILLEY BLOCK CO. PALMYRA ROAD DIXON, IL 61021</p> <p>B. CRAFT CONCRETE PRODUCTS, INC. 134 SOUTH HIGHWAY 14 CARY, IL 60013</p> <p>C. UNIT STEP COMPANY, INC. 1515 CHANNAHON ROAD (RT. 6) JOILET, IL 60436</p> <p>D. UTILITY CONCRETE PRODUCTS CO. 1801 N. VAN DYKE ROAD PLAINFIELD, IL 60544</p> <p>E. WELCH BROS., INC. OFFICE 105 ST. CHARLES ST. ELGIN, IL 60120</p> <p>PLANTS 3402 NORTHWEST HWY. CARY, IL 60013</p> <p>1000 TOWNHALL RD. BELVIDERE, IL 61008</p>	<p>PHONE 815-284-7761 FAX 815-284-9888</p> <p>PHONE 847-639-7411</p> <p>PHONE 815-744-1263</p> <p>PHONE 815-436-7880 630-355-3552</p> <p>PHONE 847-741-6134</p> <p>PHONE 847-639-6134</p> <p>PHONE 815-547-3000</p>
--	---
- TRANSFORMER SHALL PROVIDE 120/240 VAC, 1 PHASE, 3 WIRE SECONDARY SERVICE.
- CONTRACTOR SHALL COORDINATE NEW ELECTRIC SERVICES WITH THE SERVING ELECTRIC UTILITY AND THE AIRPORT MANAGER: MR. TOM CLEVELAND, CITY OF DEKALB-AIRPORT DIVISION, 3232 PLEASANT STREET, DEKALB, ILLINOIS 60115, PHONE: 815-748-2020, CELL PHONE: 815-739-3100, FAX: 815-748-2022, EMAIL: tcleveland@cityofdekalb.com
- COM ED WILL PROVIDE AND INSTALL THE GROUND WIRE AND GRID. CONTRACTOR SHALL FURNISH AND INSTALL TRANSFORMER FOUNDATION, 1 INCH SCHED 40 PVC CONDUITS, AND TRENCH FOR COM ED GROUND WIRE.
- CONTRACTOR SHALL FURNISH, INSTALL & COORDINATE PRIMARY CONDUIT INSTALLATION INTO THE TRANSFORMER PAD. PRIMARY UTILITY SERVICE CONDUCTORS WILL BE FURNISHED & INSTALLED BY THE SERVING UTILITY CO. CONTRACTOR SHALL FURNISH, INSTALL, & COORDINATE SECONDARY SERVICE CONDUCTORS AND CONDUIT INTO THE TRANSFORMER PAD.
- GRADE AWAY FROM TRANSFORMER SUCH THAT FINAL GRADE WILL BE WELL DRAINED AT ALL TIMES.
- SEE RESPECTIVE SITE PLANS FOR PROPOSED LOCATIONS OF UTILITY TRANSFORMERS.
- TRANSFORMERS SHALL NOT BE LOCATED WITHIN THE GLIDE SLOPE CRITICAL AREA, (IN FRONT OF THE GLIDE SLOPE ANTENNA). TRANSFORMERS SHALL BE PROTECTED FROM VEHICLE DAMAGE WITH BOLLARDS WHERE SHOWN ON THE SITE PLANS AND/OR AS REQUIRED BY THE SERVING ELECTRIC UTILITY CO.

BY	DATE	REVISION

**DIMAX**  
DEKALB TAYLOR MUNICIPAL AIRPORT

A.I.P. PROJ.: 3-17-0139-B37  
IL PROJ.: DK8-3225

HANSON PROJECT NO. 803-06ELEC Drawing E-503.DWG Scale NONE Date 04/20/07	LAYOUT KNL 03/20/07 DRAWN MY 03/21/07 REVIEWED CAH 03/29/07
---	---

**HANSON**

Hanson Professional Services Inc.  
1525 South Sixth Street  
Springfield, Illinois 62703-2886  
Offices Nationwide

**INSTALL MALSRS &  
GLIDE SLOPE**

**UTILITY TRANSFORMER  
PAD DETAILS**