

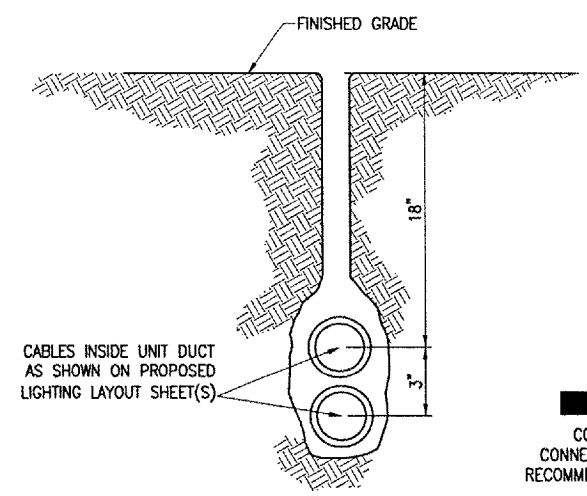
NOTES:
DETAIL NUMBERS INDICATE NO. OF CABLES.

TRENCHES WITH MORE THAN SEVEN CABLES SHALL BE INCREASED 3" IN WIDTH FOR EACH ADDITIONAL CABLE; IF SPECIFIED ON PLANS TWO PARALLEL TRENCHES MAY BE CONSTRUCTED.

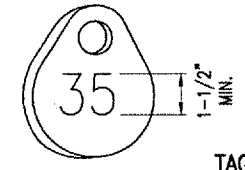
DEPTH OF TRENCHES SHALL BE AS SHOWN ABOVE UNLESS OTHERWISE SPECIFIED ON THE PLANS.

ALL DISTURBED SURFACES SHALL BE RESTORED TO THEIR ORIGINAL CONDITION. COST IS INCIDENTAL TO TRENCH.

EARTH BACKFILL WILL HAVE MAXIMUM 1" SIZE PARTICLES AND WILL BE PLACED IN TWO LIFTS AS APPROXIMATELY SHOWN (TYPICAL FOR ALL TRENCHES)

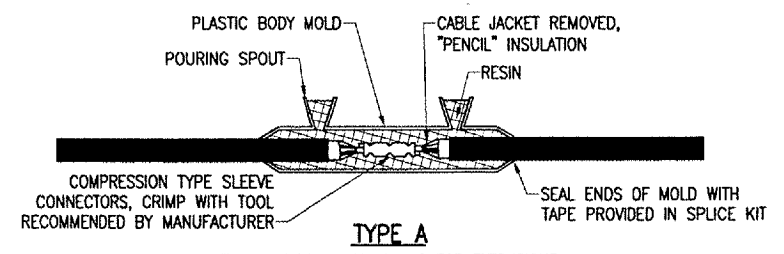


PLOWED CABLE
(NOT TO SCALE)



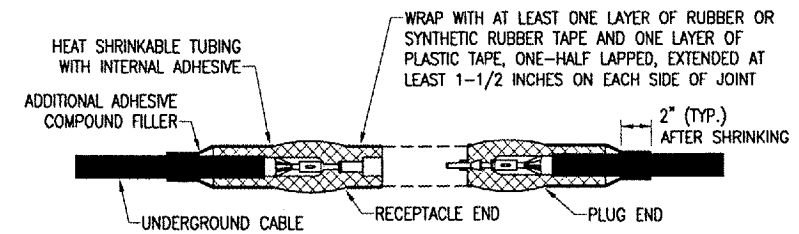
TAG DETAIL
(NOT TO SCALE)

NOTE:
AFFIX NON-CORROSIVE TAG TO FIXTURE FACING RUNWAY WITH SET SCREW, WIRE TIE, OR METAL BAND. NUMERALS SHALL BE ENGRAVED FOR PERMANENT READABILITY.



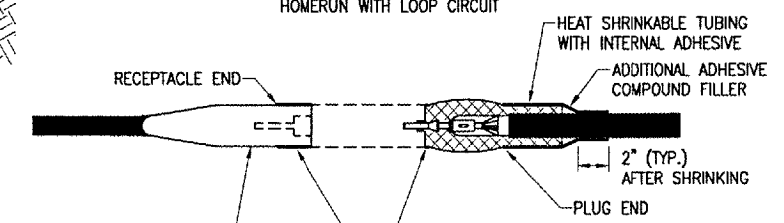
TYPE A

FOR SPLICES IN HOMERUNS FOR EXTENSIONS TO EXISTING CABLES ONLY



TYPE B

FOR SPLICES AT JUNCTION OF HOMERUN WITH LOOP CIRCUIT



TYPE C

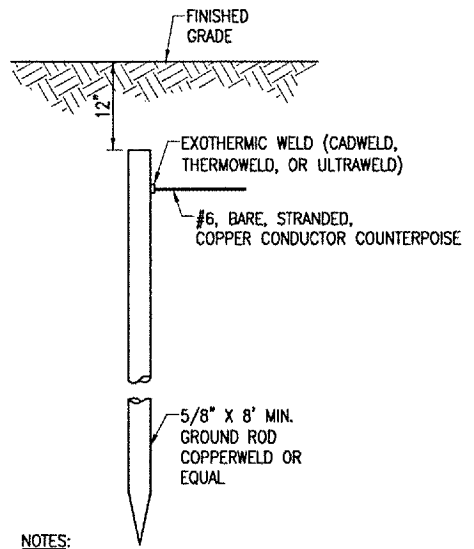
FOR SPLICES AT RUNWAY LIGHTS

NOTES:
SEE PROPOSED LIGHTING LAYOUT SHEET(S) FOR SPLICE TYPE.

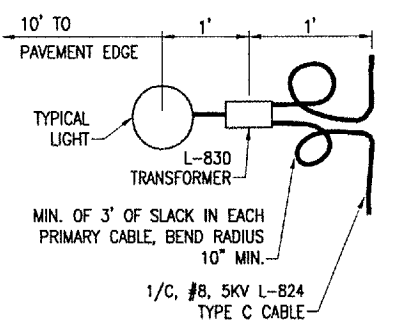
INSIDE DIAMETER OF CONNECTOR SHALL PROPERLY MATCH THE OUTSIDE DIAMETER OF CABLE.

CABLE SPLICES
(NOT TO SCALE)

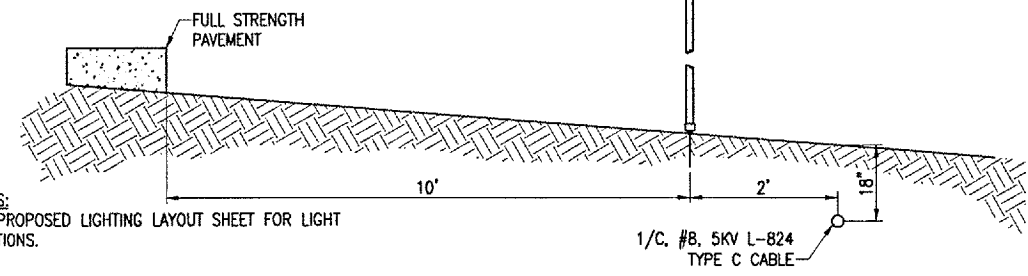
DETAILS ON THIS SHEET APPLY TO RUNWAY & TAXIWAY LIGHTING WORK



CABLE TRENCHES
(NOT TO SCALE)



PLAN VIEW



PROFILE VIEW

LIGHT AND CABLE INSTALLATION DETAIL
(NOT TO SCALE)

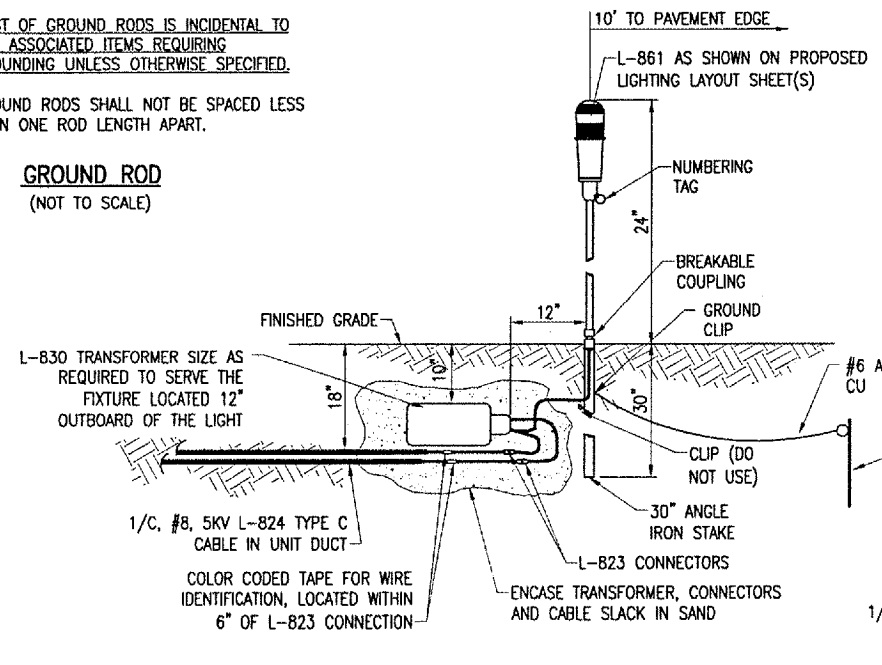
NOTES:
TYPE AND MINIMUM NUMBER OF GROUND RODS SHALL BE AS SPECIFIED ON THE PLAN.

THE RESISTANCE TO GROUND OF THE COUNTERPOISE GROUNDING SYSTEM SHALL NOT EXCEED 25 OHMS.

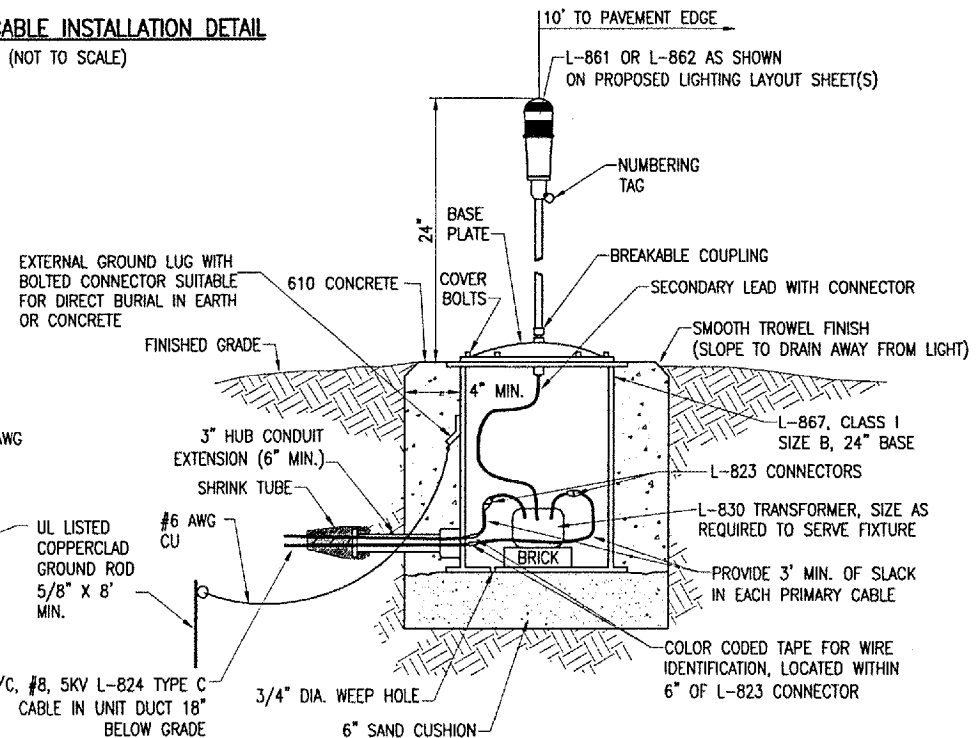
COST OF GROUND RODS IS INCIDENTAL TO THE ASSOCIATED ITEMS REQUIRING GROUNDING UNLESS OTHERWISE SPECIFIED.

GROUND RODS SHALL NOT BE SPACED LESS THAN ONE ROD LENGTH APART.

GROUND ROD
(NOT TO SCALE)



MEDIUM INTENSITY LIGHT - STAKE MOUNTED
(NOT TO SCALE)



MEDIUM/HIGH INTENSITY LIGHT - BASE MOUNTED
(NOT TO SCALE)

BY	
REVISION	
DATE	

DIMAX
DENALB TAYLOR MUNICIPAL AIRPORT
A.I.P. PROJ.: 3-17-01-39-837
IL PROJ.: DK8-3225

HANSON PROJECT No.	803-06ELEC
Filename	E-504.DWG
Scale	NONE
Date	04/20/07
LAYOUT	KNL 03/23/07
DRAWN	WV 03/26/07
REVIEWED	CAH 03/29/07

HANSON
Hanson Professional Services Inc.
Springfield, Illinois 62703-2886
Offices Nationwide

INSTALL MALSR & GLIDE SLOPE
ELECTRICAL DETAILS 1

APR 06, 2007 10:30 AM BAK I:\AIRPORTS\DEKALB\803-06ELEC\AIRPORT SHEETS\AUTO-CADD SHEETS\E-504.DWG - ELEC DETAILS