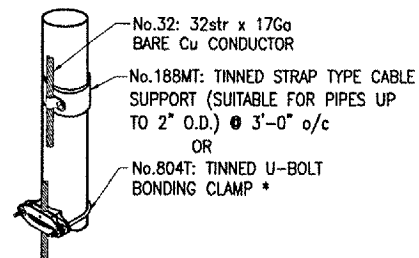


AIR TERMINAL MOUNTING

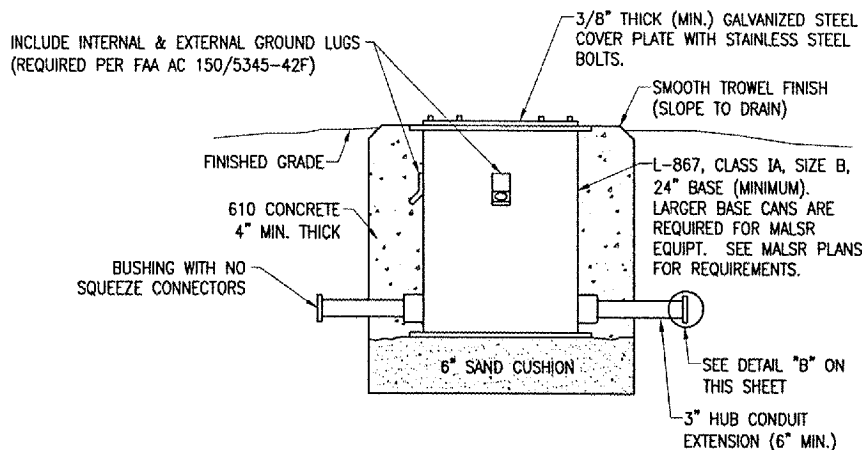
U-BOLTS
DEPENDS ON THE SIZE OF THE PIPE:
802T: MAX. OD 1-7/16"
803T: MAX. OD 2-1/8"
804T: MAX. OD 3-3/16"
805T: MAX. OD 4-3/16"

ALL PART NUMBERS ARE THOMPSON LIGHTNING PROTECTION INC., 901 SIBLEY HIGHWAY, ST. PAUL, MN 55118-1792, MANUFACTURERS, CONTRACTORS & ENGINEERS, 1-800-777-1230, (P) 651-455-7661, (F) 651-455-2545

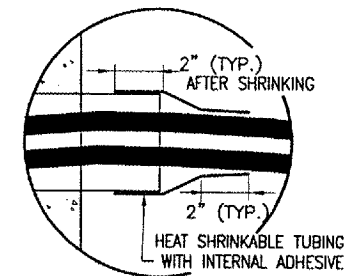


DOWNLOAD CABLE SUPPORT OPTIONS

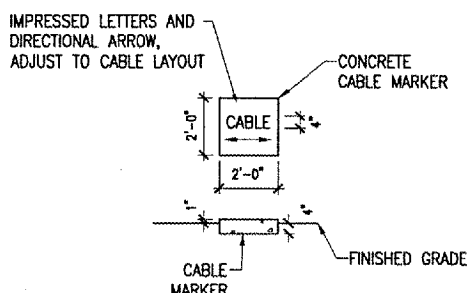
LIGHTNING PROTECTION DETAIL FOR GLIDE SLOPE ANTENNA TOWER



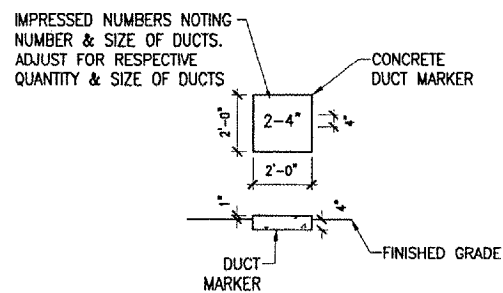
SPLICE CAN DETAIL
"NOT TO SCALE"



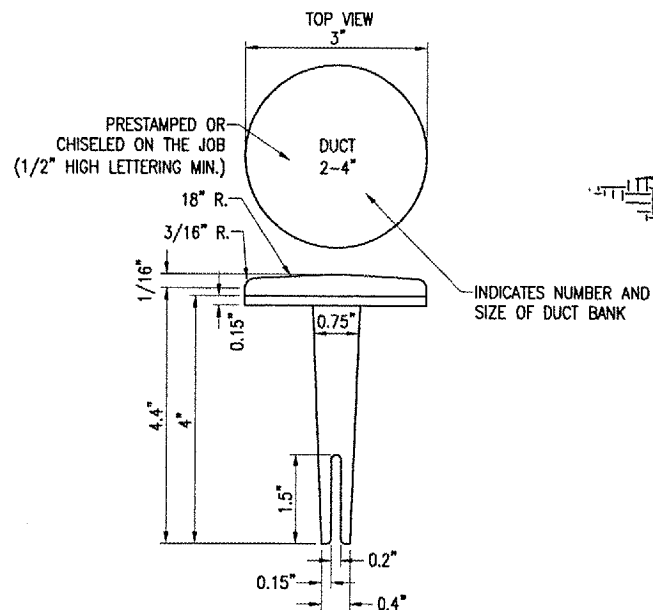
DETAIL "B"
"NOT TO SCALE"



TURF CABLE MARKERS
"NOT TO SCALE"

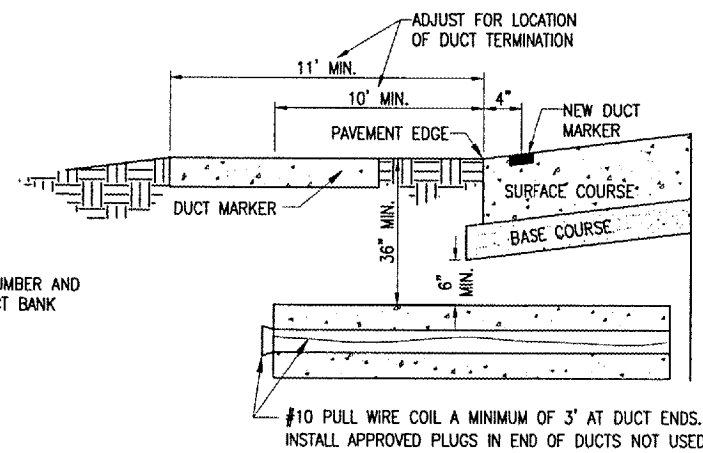


TURF DUCT MARKERS
"NOT TO SCALE"



BITUMINOUS PAVEMENT DUCT MARKERS
"NOT TO SCALE"

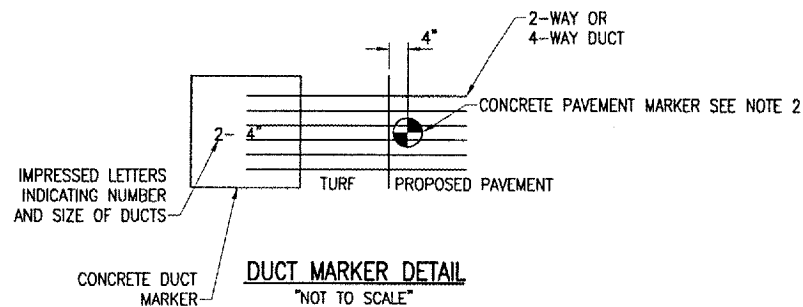
NOTE:
TOP OF MARKER SHALL BE FLUSH WITH FINISHED PAVEMENT SURFACE. MARKER MAY BE INSTALLED IN A DRILLED HOLE AND SECURED WITH EPOXY GLUE.



UNDERGROUND ELECTRICAL DUCT
"NOT TO SCALE"

NOTES:

1. THE COST OF ALL TURF AND PAVEMENT DUCT MARKERS SHALL BE INCIDENTAL TO THE DUCT. THE COST OF ALL CABLE MARKERS SHALL BE INCIDENTAL TO THE CABLE.
2. CONCRETE DUCT MARKER TO BE PROVIDED AT CHANGES OF DIRECTION AND AT EACH END OF EACH DUCT AS SHOWN ON THE LOCATION PLAN. FOR CONCRETE PAVEMENT, THE LETTER "D" SHALL BE IMPRESSED IN THE PAVEMENT INSTEAD OF THE MARKER. THE LETTER SHALL BE IMPRESSED AS DESCRIBED IN NOTE 4.
3. CABLE MARKERS SHALL BE PLACED AT CHANGES OF DIRECTION AND EVERY 200' ALONG CABLE RUNS. CABLE MARKERS SHALL BE INSTALLED IMMEDIATELY ABOVE THE CABLE.
4. CONCRETE CABLE MARKERS AND DUCT MARKERS SHALL HAVE LETTERS 4" HIGH, 3" WIDE WITH WIDTH OF STROKE 1/2" AND 1/4" DEEP. ALL LETTERS, NUMBERS AND ARROWS TO BE IMPRESSED.



DUCT MARKER DETAIL
"NOT TO SCALE"

BY	
REVISION	
DATE	

DIMAX
DEKALB TAYLOR MUNICIPAL AIRPORT
A.I.P. PROJ.: 3-17-0139-637
I.L. PROJ.: DK8-3225

HANSON PROJECT No.	803-08ELLE
File Name	E-502.DWG
Scale	NONE
Date	04/20/07
LAYOUT	KNL 03/20/07
DRAWN	MV 03/21/07
REVIEWED	CAH 03/29/07

HANSON
Hanson Professional Services Inc.
1524 South Sixth Street
Springfield, Illinois 62703-2888
Offices Nationwide

INSTALL MALSR & GLIDE SLOPE
ELECTRICAL DETAILS 2