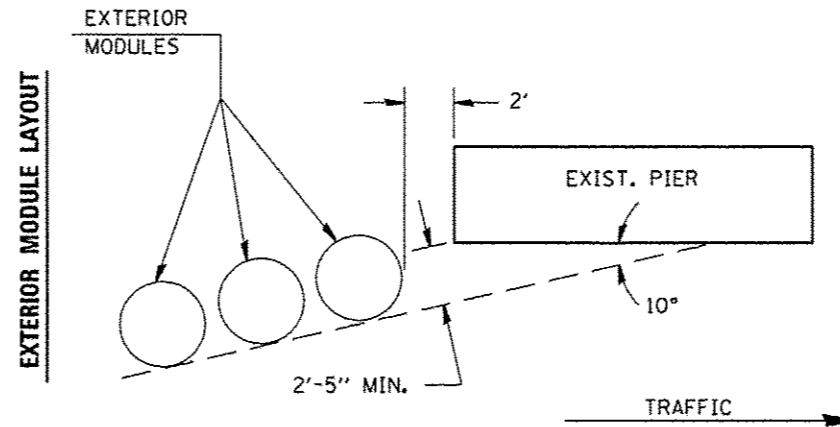
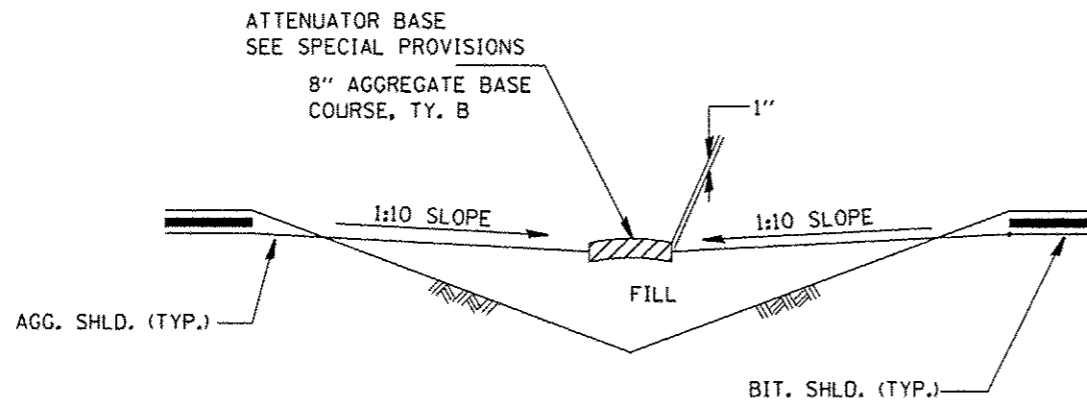


INERTIAL BARRIER MODULE ARRAY AND ATTENUATOR BASE PLAN



EXTERIOR MODULE LAYOUT (TEMPORARY AND EXISTING)



SECTION A - A

FILE NAME *	USER NAME * woodshankr1	DESIGNED - YOGESH PATEL	REVISED -	STATE OF ILLINOIS DEPARTMENT OF TRANSPORTATION	INERTIAL BARRIER LAYOUT DETAILS	F.A.I. RTE.	SECTION	COUNTY	TOTAL SHEETS	SHEET NO.
ci:\pwr_work\pvidot\woodshankr1\030243\0346220-shd*details.dgn	DRAWN - YOGESH PATEL	REVISED -	1-80			03 OVD SIN STR REPL 13-07	BUREAU	18	7	
PLOT SCALE * 99.9999 / in.	CHECKED - RON WOODSHANK	REVISED -					BUREAU	18	7	
PLOT DATE * 5/18/2012	DATE -	REVISED -					CONTRACT NO. 46220			
				SCALE:	SHEET NO. 1 OF 1 SHEETS	STA.	TO STA.	[ILLINOIS]		