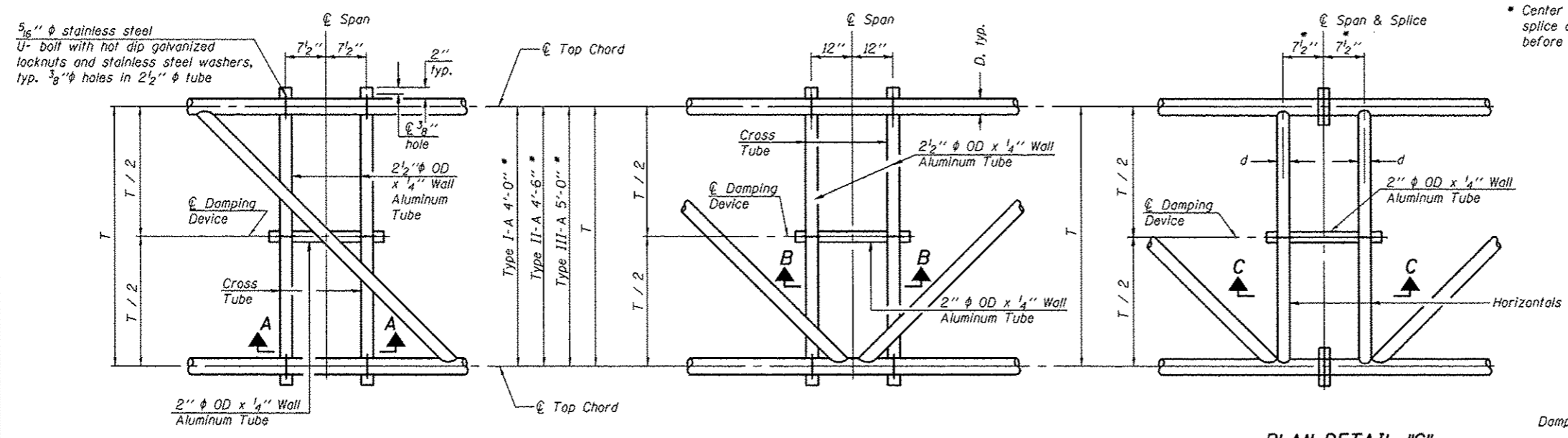


* Center of horizontal to center of splice dimension may vary. Verify before drilling holes in mounting tube.

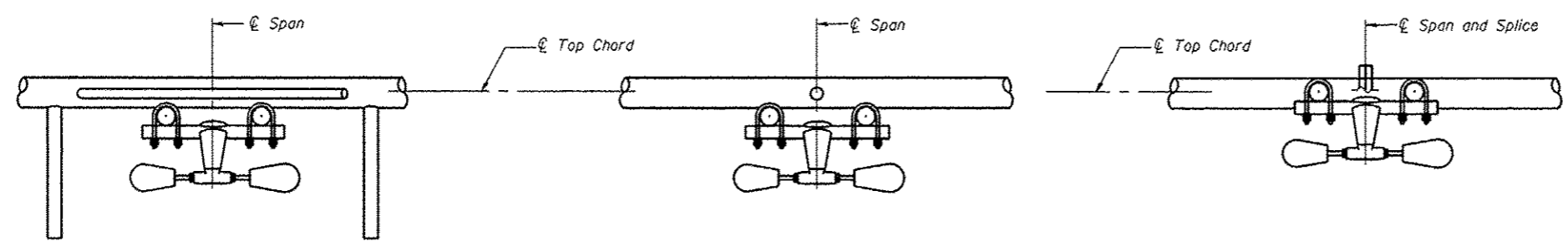


PLAN DETAIL "A"
Span between Panel Points

PLAN DETAIL "B"
Span at Panel Point

PLAN DETAIL "C"
Span at Chord Splice

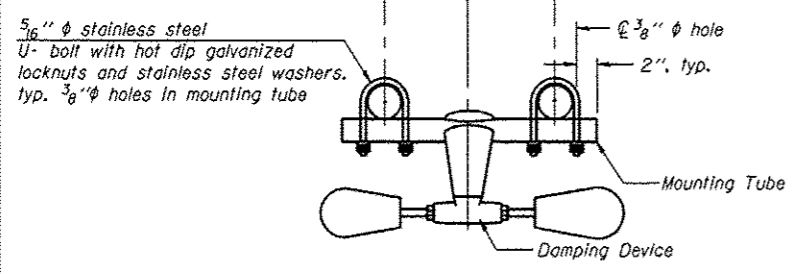
NOTES
 Damper: One damper per truss. (31 lbs. minimum Stackbridge-Type Aluminum - 29" minimum between ends of weights) Cost included in Overhead Sign Structure...
 Materials: Materials: Aluminum tubes shall be ASTM B221 alloy 6061 temper T6. Cost included in Overhead Sign Structure...



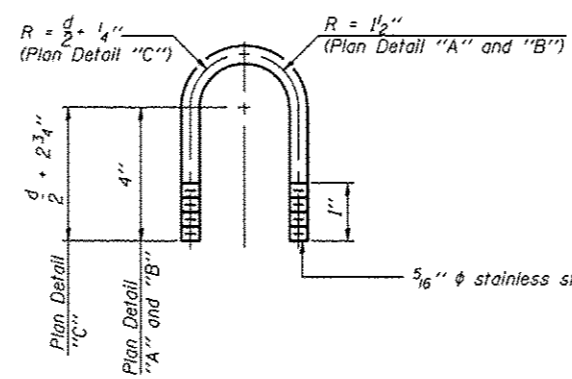
SECTION A-A

SECTION B-B

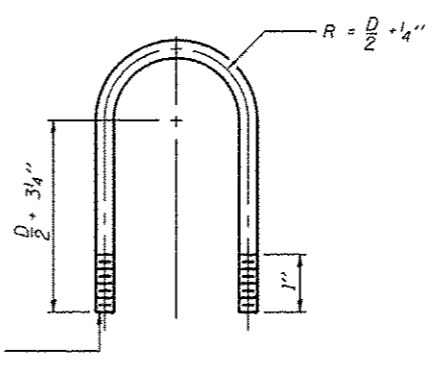
SECTION C-C



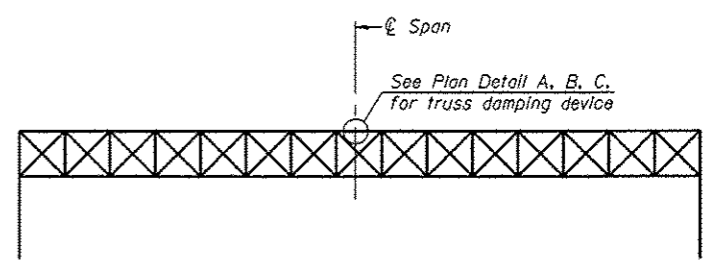
TRUSS DAMPING DEVICE CONNECTION DETAIL
(Typical)



DAMPING DEVICE MOUNTING TUBE U-BOLT DETAIL
(Typical)



TOP CHORD TO CROSS TUBE U-BOLT DETAIL
(Typical - Detail "A" and "B")



ELEVATION
Aluminum Overhead Sign Truss

OS-A-D

1-20-11

FILE NAME =	USER NAME = woodshankr1	DESIGNED - YOGESH PATEL	REVISED -	STATE OF ILLINOIS DEPARTMENT OF TRANSPORTATION	OVERHEAD SIGN STRUCTURE DAMPING DEVICE	F.A.I. RTE.	SECTION	COUNTY	TOTAL SHEETS	SHEET NO.
c:\pwork\p\pidot\woodshankr1\08302439\0346220-shl-detailed.dgn	DRAWN - YOGESH PATEL	REVISED -	1-80			D3 QVD SIN STR REPL 13-07	BUREAU	18	11	
PLOT SCALE = 99.9999' / in.	CHECKED - RON WOODSHANK	REVISED -								
PLOT DATE = 5/18/2012	DATE -	REVISED -								
SCALE: SHEET NO. 4 OF 11 SHEETS STA. TO STA.						[ILLINOIS] CONTRACT NO. 46220				