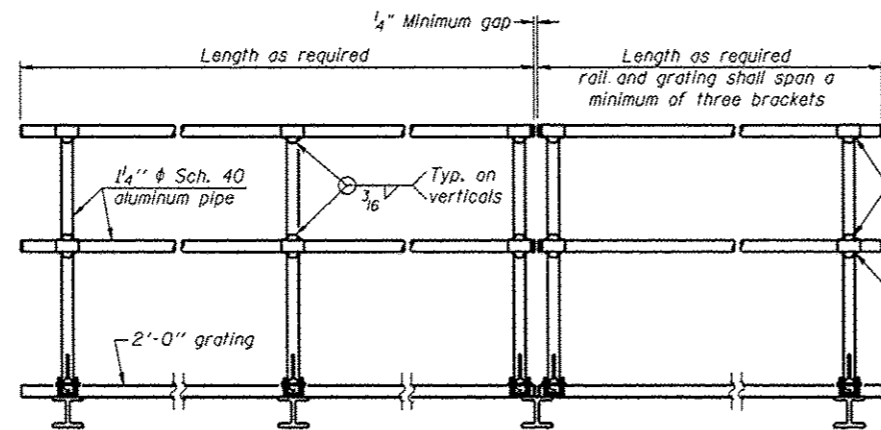


SIDE ELEVATION
(Showing safety chain w/o sign)



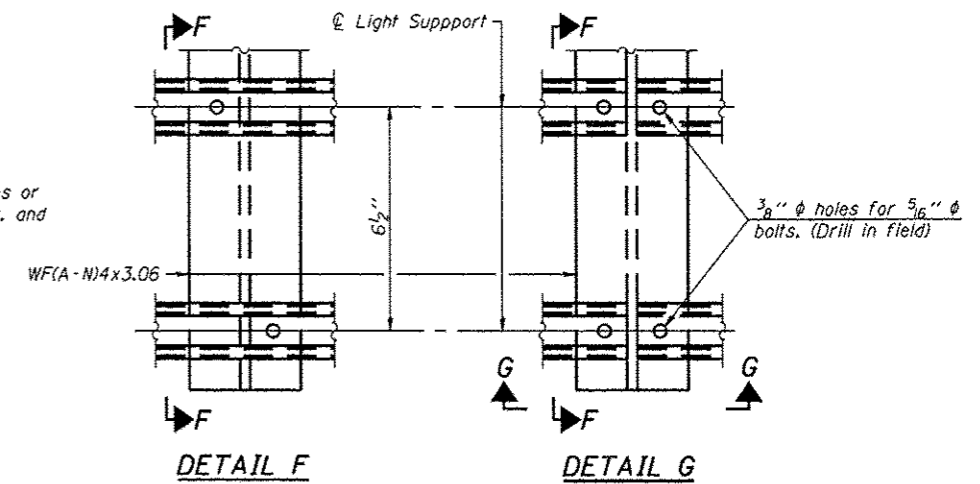
FRONT ELEVATION

HANDRAIL DETAILS

Handrail pipe shall be ASTM B241 or B429, Alloy 6063-T6 or Alloy 6061-T6.

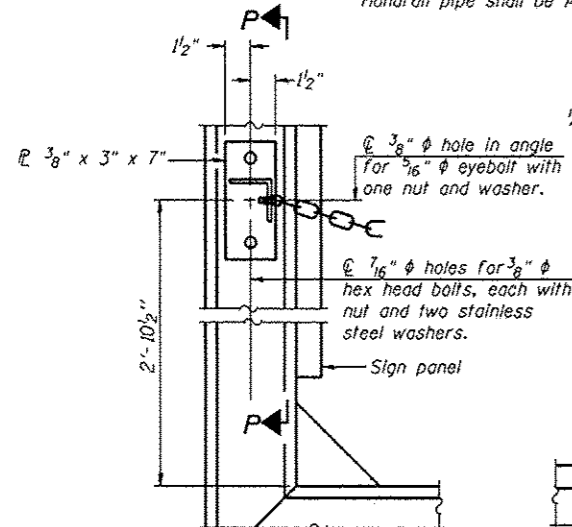
① Install standard force-fit end caps or weld 1/2" end plates with 1/8" c.f.w. and grind smooth. (All rail ends)
Fittings-ASTM B26, Alloy 356-T7 or 1 1/2" diameter aluminum pipe

② Horizontal handrail member shall be continuous thru fitting. Provide 1/16" diameter hole in fitting for 3/8" diameter bolt. Field drill 1/16" diameter hole in horizontal rail member. Provide locknut and two stainless steel washers for bolt. (Use 5/16" diameter eyebolts in 1/16" diameter holes on top rail at ends only.)



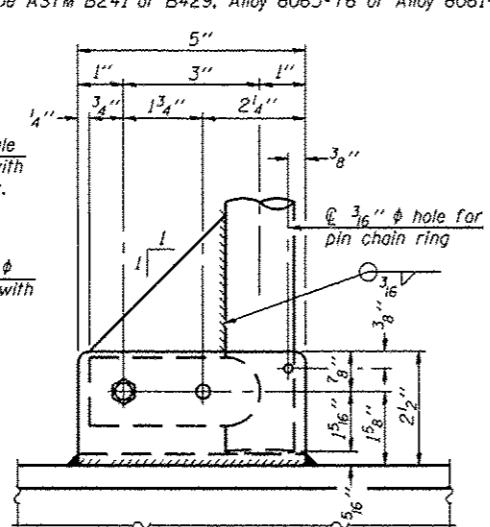
DETAIL F

DETAIL G

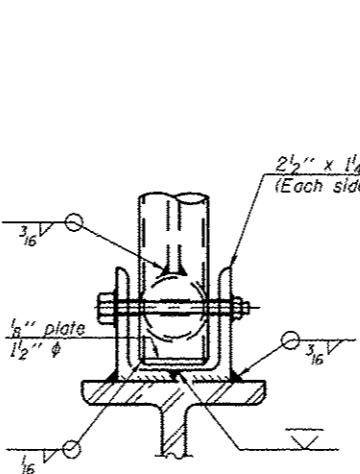


ALTERNATE SAFETY CHAIN ATTACHMENT
(With Sign Present)

Items not shown same as "Side Elevation" of "Handrail Details"

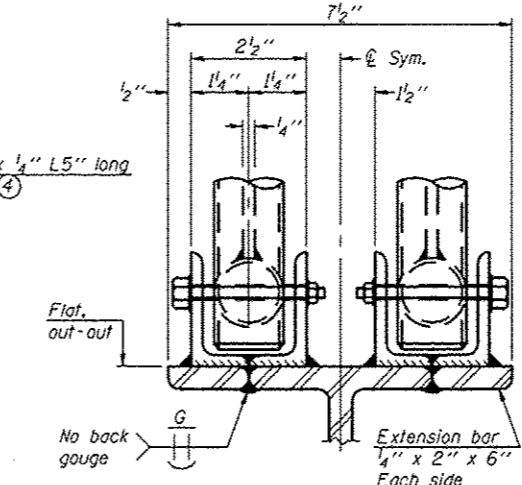


SIDE ELEVATION

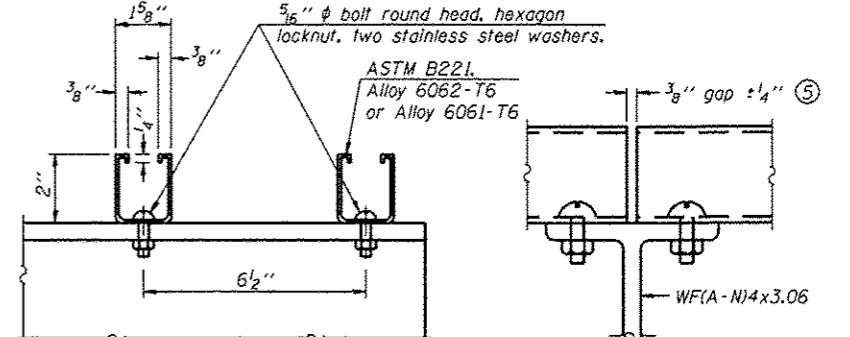


FRONT ELEVATION

See "Elevation" at right for dimensions.



ELEVATION AT HANDRAIL JOINT ④

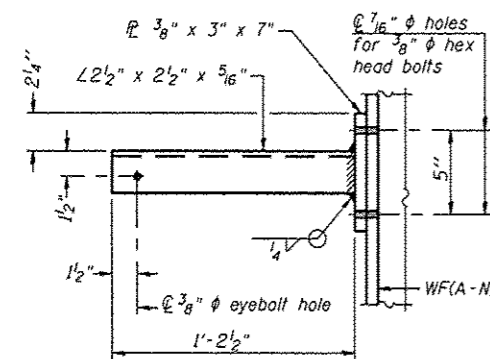


SECTION F-F

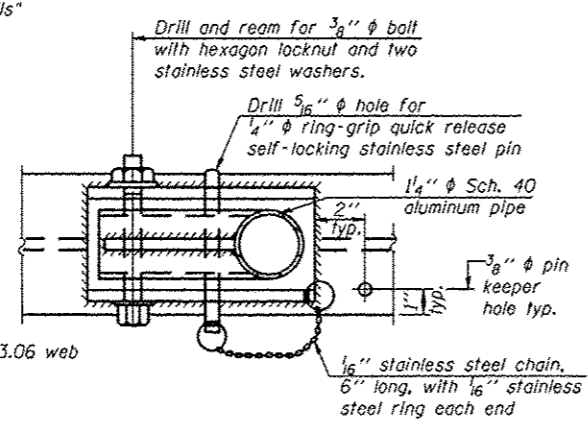
SECTION G-G

LIGHTING FIXTURE MOUNTS (IF REQUIRED)

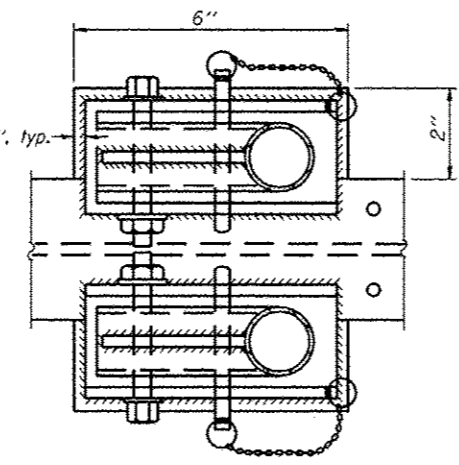
⑤ Field cut ends of light support channels shall be free of burrs or hazardous projections and coated with zinc-rich primer or equivalent.



SECTION P-P

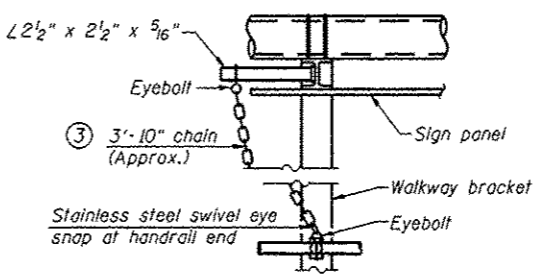


PLAN
DETAIL E HANDRAIL HINGE



PLAN AT HANDRAIL JOINT

Details not shown same as "PLAN"

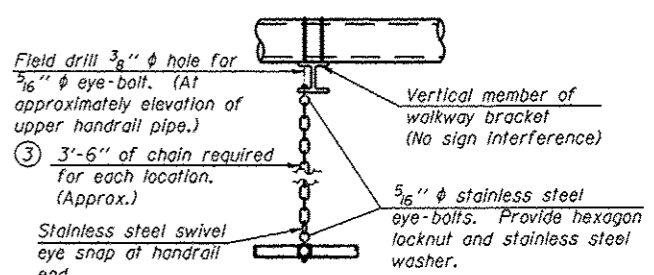


ALTERNATE SAFETY CHAIN ATTACHMENT

Details not shown similar to "Safety Chain" Details (Walkway omitted for clarity)

③ 3/16" Type 304L stainless steel chain, approximately 12 links per foot.

④ Extrusions may be used in lieu of the details shown, with approval of the Engineer.



SAFETY CHAIN

One required for each end of each walkway.

OS-A-II

1-20-11

FILE NAME =	USER NAME = woodshankr1	DESIGNED - YOGESH PATEL	REVISED -	STATE OF ILLINOIS DEPARTMENT OF TRANSPORTATION	OVERHEAD SIGN STRUCTURES ALUMINUM HANDRAIL DETAILS	F.A.I. RTE.	SECTION	COUNTY	TOTAL SHEETS	SHEET NO.
cd:\pwork\pvidat\woodshankr1\0302439	0346220\shd\details.dgn	DRAWN - YOGESH PATEL	REVISED -			I-80	D3 OVD SIN STR REPL 13-07	BUREAU	18	16
PLOT SCALE = 99.9999 / in.		CHECKED - RON WOODSHANK	REVISED -			SCALE:	SHEET NO. 9 OF 11 SHEETS	STA.	TO STA.	CONTRACT NO. 46220
PLOT DATE = 5/18/2012		DATE -	REVISED -							[ILLINOIS]