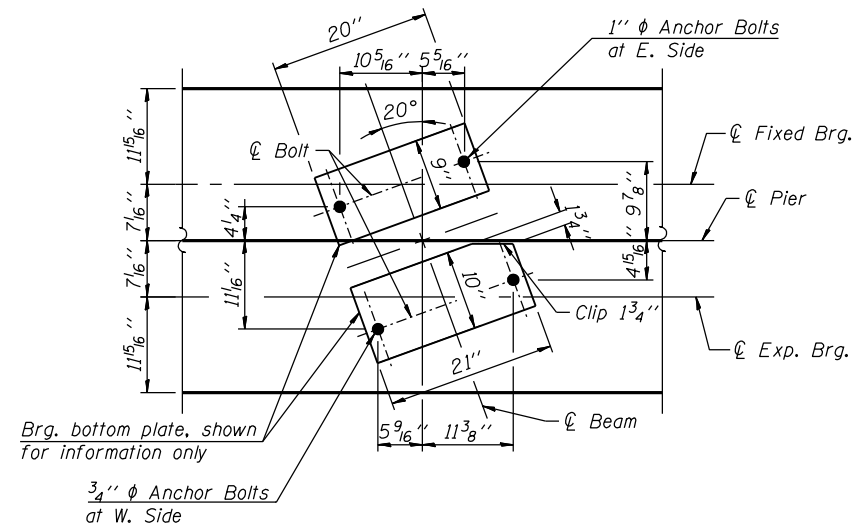
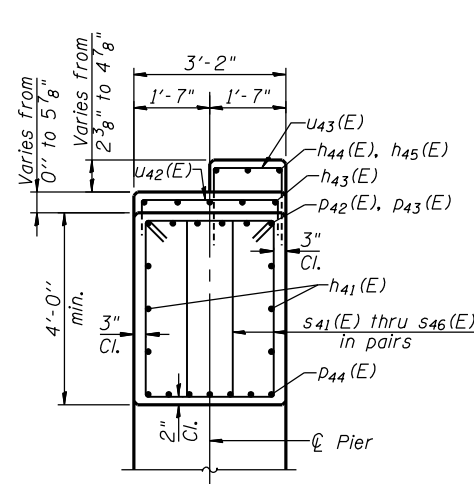


BILL OF MATERIAL - PIER 4

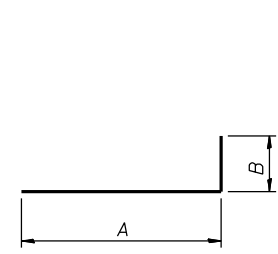
Bar	No.	Size	Length	Shape
h ₄₁ (E)	24	#5	27'-4"	—
h ₄₂ (E)	76	#5	26'-0"	—
h ₄₃ (E)	10	#5	12'-11"	—
h ₄₄ (E)	6	#5	28'-0"	—
h ₄₅ (E)	6	#5	5'-4"	—
n ₄₁ (E)	108	#8	10'-8"	U
p ₄₁ (E)	16	#5	8'-6"	—
p ₄₂ (E)	12	#8	21'-1"	—
p ₄₃ (E)	12	#8	40'-1"	—
p ₄₄ (E)	28	#8	23'-9"	—
s ₄₀ (E)	98	#5	13'-4"	U
s ₄₁ (E)	164	#5	11'-11"	□
s ₄₂ (E)	8	#5	11'-7"	□
s ₄₃ (E)	8	#5	10'-7"	□
s ₄₄ (E)	8	#5	9'-7"	□
s ₄₅ (E)	8	#5	8'-7"	□
s ₄₆ (E)	8	#5	7'-7"	□
s ₄₇ (E)	126	#5	11'-11"	□
s ₄₈ (E)	126	#5	4'-0"	└┘
s ₄₉ (E)	126	#5	4'-2"	└┘
t ₄₁ (E)	196	#5	9'-8"	—
u ₄₁ (E)	16	#5	8'-10"	U
u ₄₂ (E)	28	#5	6'-8"	U
u ₄₃ (E)	68	#5	5'-1"	U
u ₄₅ (E)	16	#5	7'-4"	U
v ₄₁ (E)	108	#8	25'-7"	—
v ₄₂ (E)	98	#5	16'-6"	U
w ₄₁ (E)	80	#5	26'-2"	—
Structure Excavation		Cu Yd.	210	
Concrete Structures		Cu Yd.	280.0	
Reinforcement Bars, Epoxy Coated		Pound	30,540	
Concrete Sealer		Sq. Ft.	3,130	



ANCHOR BOLT LOCATION PLAN

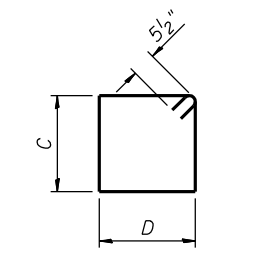


SECTION A-A



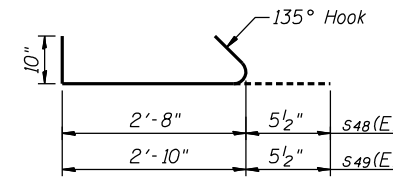
A & B DIMENSIONS

Bar	A	B
p ₄₂ (E)	19'-10"	1'-3"
p ₄₃ (E)	38'-10"	1'-3"
v ₄₁ (E)	24'-3"	1'-4"

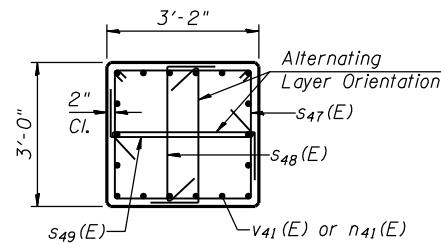


C & D DIMENSIONS

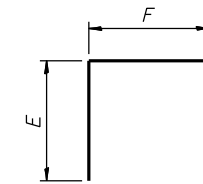
Bar	C	D
s ₄₁ (E)	3'-8"	1'-10"
s ₄₂ (E)	3'-6"	1'-10"
s ₄₃ (E)	3'-0"	1'-10"
s ₄₄ (E)	2'-6"	1'-10"
s ₄₅ (E)	2'-0"	1'-10"
s ₄₆ (E)	1'-6"	1'-10"
s ₄₇ (E)	2'-10"	2'-8"



BARS s₄₈(E) & s₄₉(E)

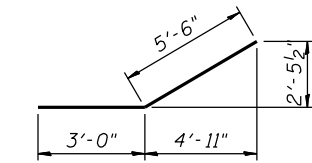


SECTION B-B

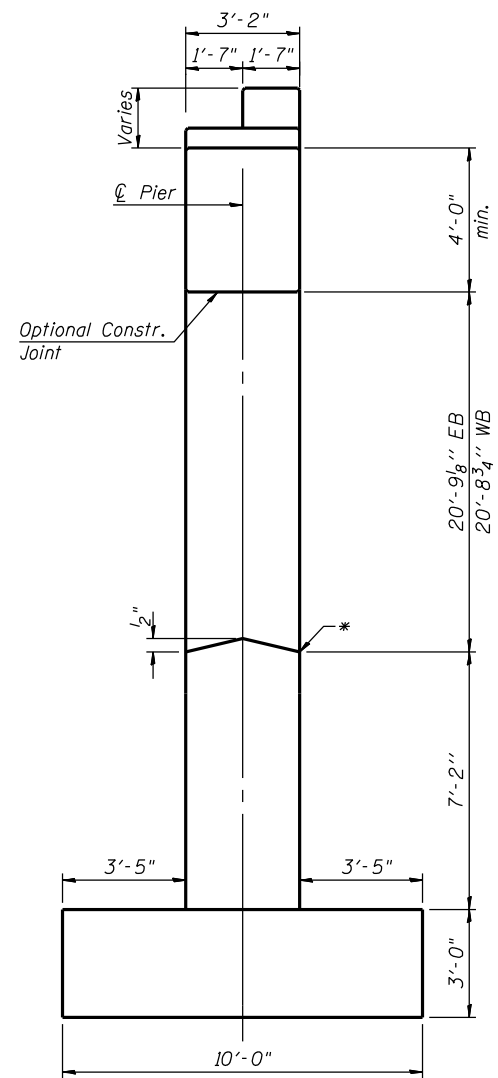


E & F DIMENSIONS

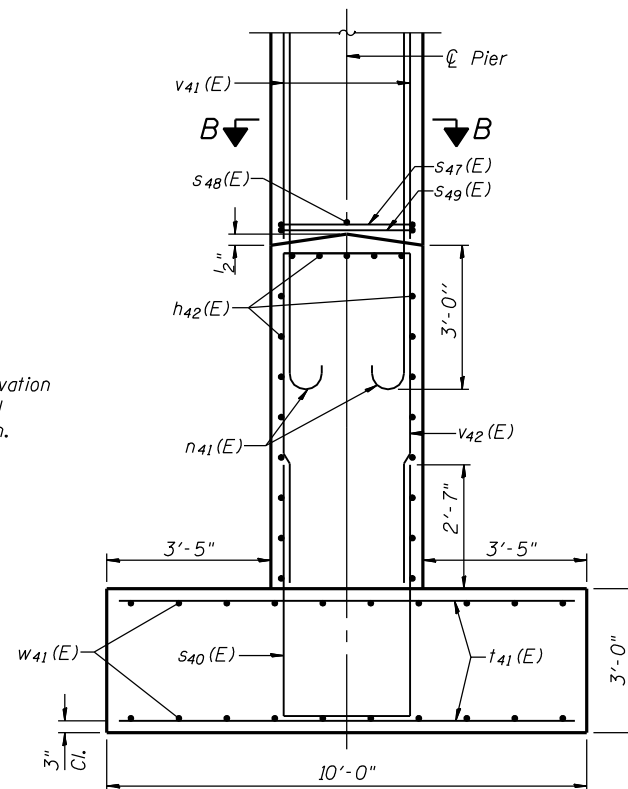
Bar	E	F
s ₄₀ (E)	5'-3"	2'-10"
u ₄₁ (E)	3'-0"	2'-10"
u ₄₂ (E)	1'-11"	2'-10"
u ₄₃ (E)	1'-11"	1'-3"
u ₄₅ (E)	2'-3"	2'-10"
v ₄₂ (E)	6'-10"	2'-10"



BAR p₄₁(E)



END VIEW



SECTION C-C

* The location of the elevation at the top of Crashwall shown at Pier Elevation.

NOTES:

1. Work this Sheet with Sheet S74.
2. Bars indicated thus 3 x 2-#5 etc. indicates 3 lines of bars with 2 lengths per line.

H:\jbs2010\20103003\CAD\Structural\dgn\045-0039_Fin\00.Dwg\033-e075-pier-4-dt.dgn 6/26/2012 11:27:14 AM

GR&EF
8501 W. Higgins Road, Suite 280
Chicago, Illinois 60631; (773) 399-0112

USER NAME =	DESIGNED - J.Z. 6/25/2012	REVISED -
PLOT SCALE =	CHECKED - J.J.G. 6/25/2012	REVISED -
PLOT DATE =	DRAWN - E.U.B. 6/25/2012	REVISED -
	CHECKED - J.Z. 6/25/2012	REVISED -

**STATE OF ILLINOIS
DEPARTMENT OF TRANSPORTATION**

**PIER 4 DETAILS
STRUCTURE NO. 045-0039**

SHEET NO. S75 OF 116 SHEETS

F.A.P. RTE.	SECTION	COUNTY	TOTAL SHEETS	SHEET NO.
349	(10 & 11VB) R-3	KANE	507	296
			CONTRACT NO. 60133	
ILLINOIS FED. AID PROJECT				