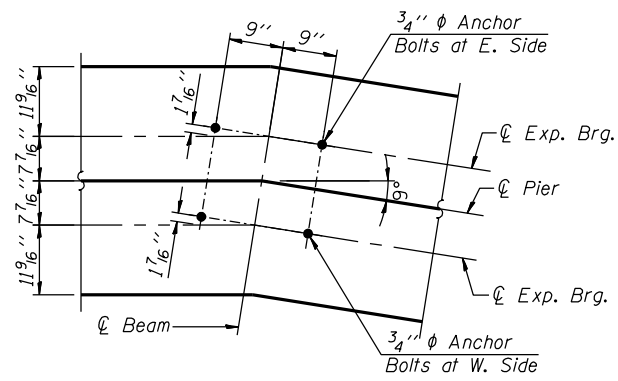
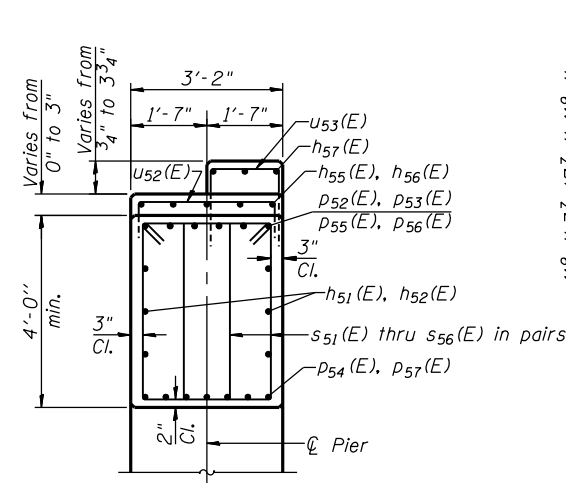


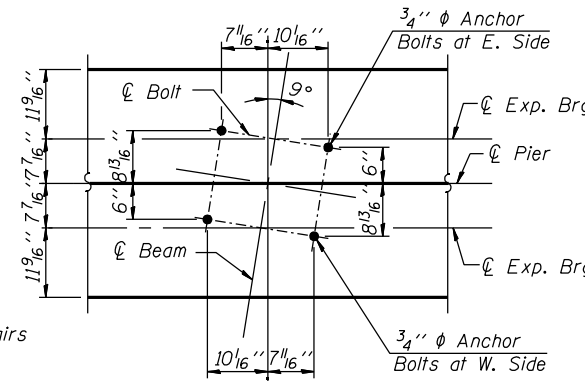
**BILL OF MATERIAL - PIER 5**



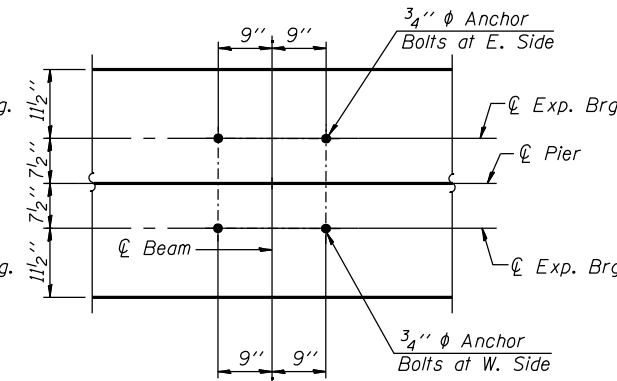
**ANCHOR BOLT LOCATION  
PLAN 2 (BEAM 10 ONLY)**



**SECTION A-A**

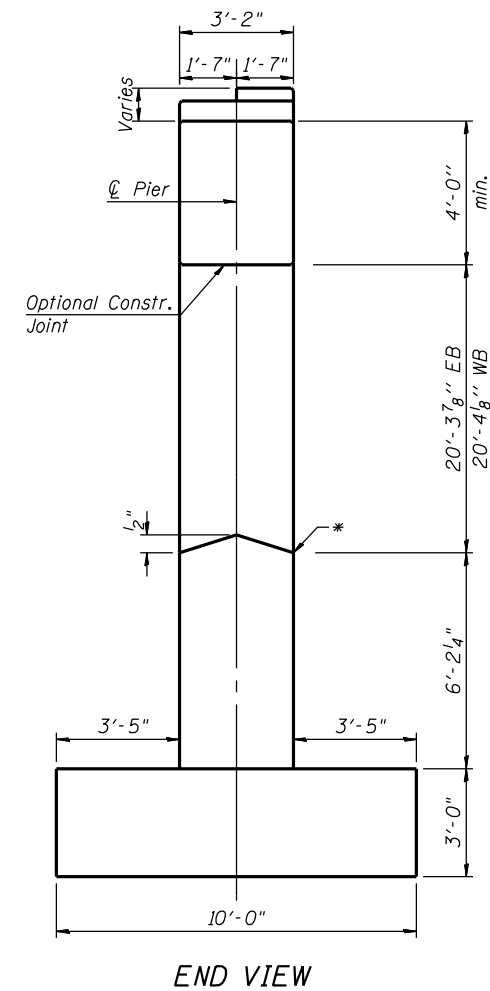


**ANCHOR BOLT LOCATION  
PLAN 1 (BEAMS 11, 12, 1 THRU 9)**

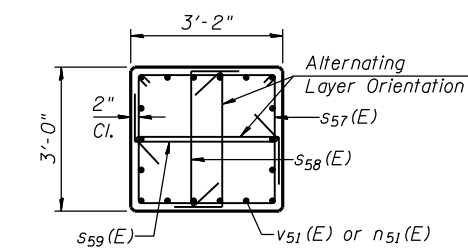


**ANCHOR BOLT LOCATION  
PLAN 3 (BEAMS 13 & 14)**

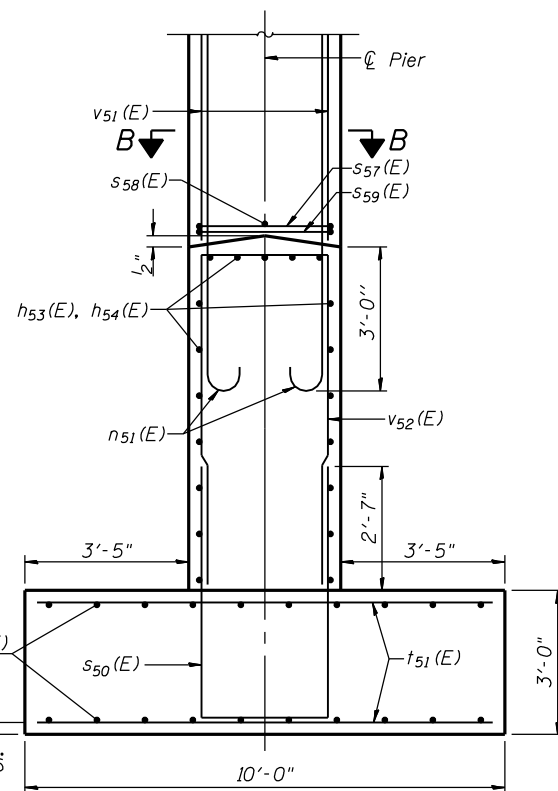
\*The location of the elevation at the top of Crashwall shown at Pier Elevation.



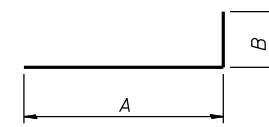
**END VIEW**



**SECTION B-B**

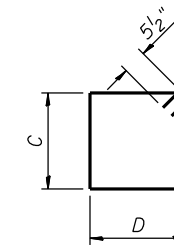


**SECTION C-C**



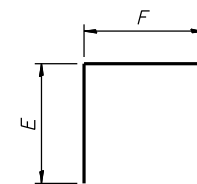
**A & B DIMENSIONS**

Bar	A	B
p52(E)	18'-9"	1'-3"
p53(E)	37'-0"	1'-3"
p56(E)	17'-10"	1'-3"
v51(E)	23'-10"	1'-4"



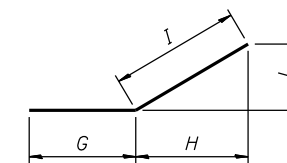
**C & D DIMENSIONS**

Bar	C	D
s51(E)	3'-8"	1'-10"
s52(E)	3'-6"	1'-10"
s53(E)	3'-0"	1'-10"
s54(E)	2'-6"	1'-10"
s55(E)	2'-0"	1'-10"
s56(E)	1'-6"	1'-10"
s57(E)	2'-10"	2'-8"



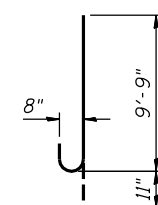
**E & F DIMENSIONS**

Bar	E	F
s50(E)	5'-3"	2'-10"
u51(E)	3'-0"	2'-10"
u52(E)	1'-11"	2'-10"
u53(E)	1'-11"	1'-3"
u55(E)	2'-3"	2'-10"
v52(E)	5'-11"	2'-10"

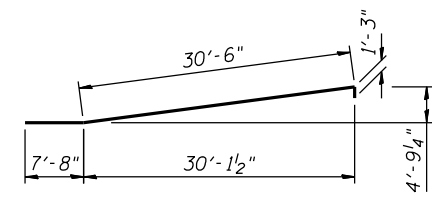


**G THRU J DIMENSIONS**

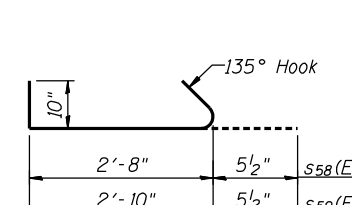
Bar	G	H	I	J
h52(E)	17'-10"	8'-0 3/4"	8'-2"	1'-3 3/8"
h54(E)	15'-4"	9'-8 1/2"	9'-10"	1'-6 1/2"
p51(E)	3'-0"	4'-11"	5'-6"	2'-5 1/2"
p57(E)	9'-8"	12'-8 1/8"	12'-10"	2'-0 1/8"
w52(E)	30'-9"	3'-7 1/2"	3'-8"	6 7/8"



**BAR n51(E)**



**BAR p55(E)**



**BARS s58(E) & s59(E)**

Structure Excavation	Cu Yd.	170
Concrete Structures	Cu Yd.	259.0
Reinforcement Bars, Epoxy Coated	Pound	29,730
Concrete Sealer	Sq. Ft.	2,930

**NOTES:**

1. Work this Sheet with Sheet S76.
2. Bars indicated thus 3 x 2-#5 etc. indicates 3 lines of bars with 2 lengths per line.

H:\p5\2010\303033\CAD\Structural\dgn\045-0039\_Fin\00.Dwg\033-e077-pier-5-dt.dgn 6/26/2012 11:28:02 AM

USER NAME =	DESIGNED -	REVISIONS -
J.Z.	J.Z. 6/25/2012	6/25/2012
J.J.G.	J.J.G. 6/25/2012	6/25/2012
E.U.B.	E.U.B. 6/25/2012	6/25/2012
J.Z.	J.Z. 6/25/2012	6/25/2012

F.A.P. RTE.	SECTION	COUNTY	TOTAL SHEETS	SHEET NO.
349	(10 & 11VB) R-3	KANE	507	298
				CONTRACT NO. 60133
ILLINOIS FED. AID PROJECT				