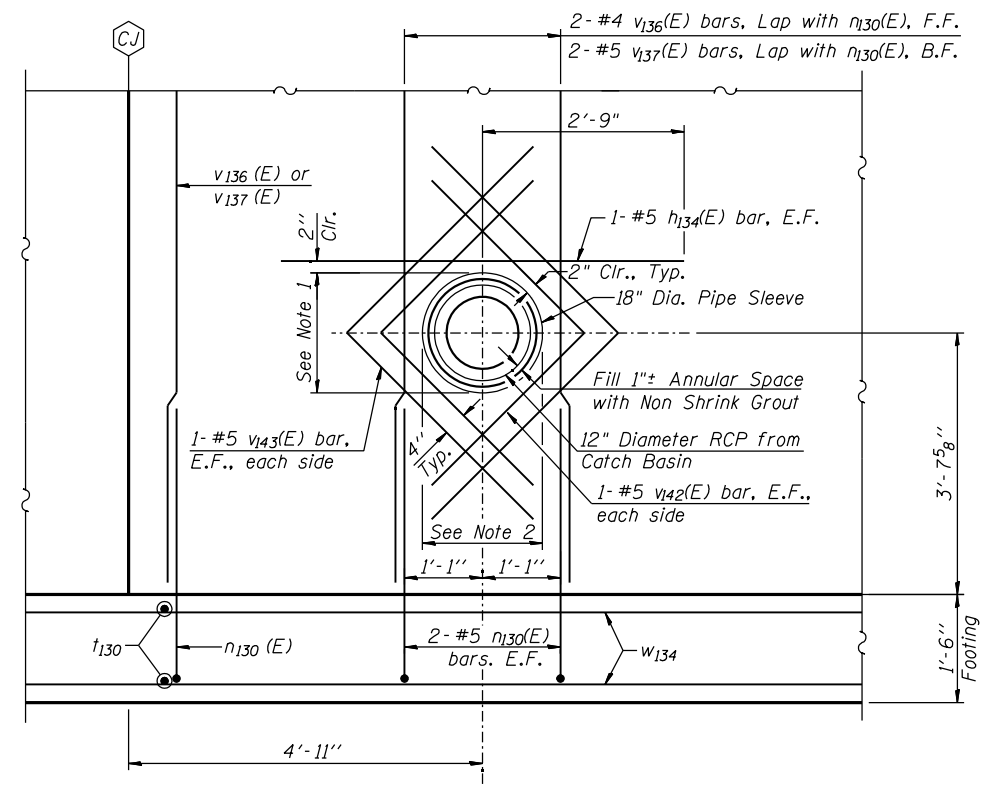
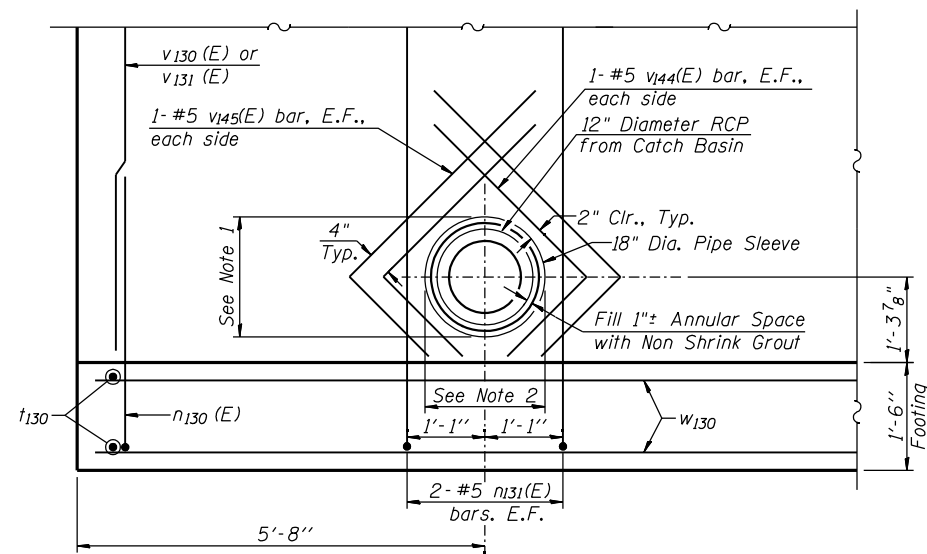


PIPE PENETRATION THRU PANEL 4 (DETAIL X)
LOOKING NORTH



PIPE PENETRATION THRU PANEL 9 (DETAIL Y)
LOOKING SOUTH



PIPE PENETRATION THRU PANEL 16 (DETAIL Z)
LOOKING SOUTH

NOTES:

1. Provide opening thru horizontal reinforcement to clear pipe sleeve.
2. Provide opening thru vertical reinforcement to clear pipe sleeve.
3. The 18" diameter pipe sleeve in Panels 9 and 16 shall be RPM Pipe, ASTM D3262 or PE Pipe, Profile Wall, ASTM F894 or Corrugated PVC Pipe, ASTM F949 as Specified in Article 543.02 of the Std. Specs.
4. The 48" diameter pipe sleeve in Panel 4 shall be RPM Pipe, ASTM D3262 or PE Pipe, Profile Wall, ASTM F894 as Specified in Article 543.02 of the Std. Specs.
5. The pipe sleeves shall be cast into the retaining wall panels. After completion of the Concrete Wall, the RCP from the catch basin or culvert shall be inserted thru the pipe sleeve.

P:\p\2010\20103003\cad\structural\dgn\retwall_final\00\01033-sc07-op.dgn
 6/14/2012 6:09:25 PM

USER NAME =	DESIGNED - J.J.G. 6/15/2012	REVISED -
	CHECKED - J.A.Z. 6/15/2012	REVISED -
PLOT SCALE =	DRAWN - E.E.J. 6/15/2012	REVISED -
PLOT DATE =	CHECKED - J.J.G. 6/15/2012	REVISED -

F.A.P. RTE.	SECTION	COUNTY	TOTAL SHEETS	SHEET NO.
349	(10 & 11VB) R-3	KANE	507	344
STA. 1252+00.00		CONTRACT NO. 60133		
ILLINOIS FED. AID PROJECT				