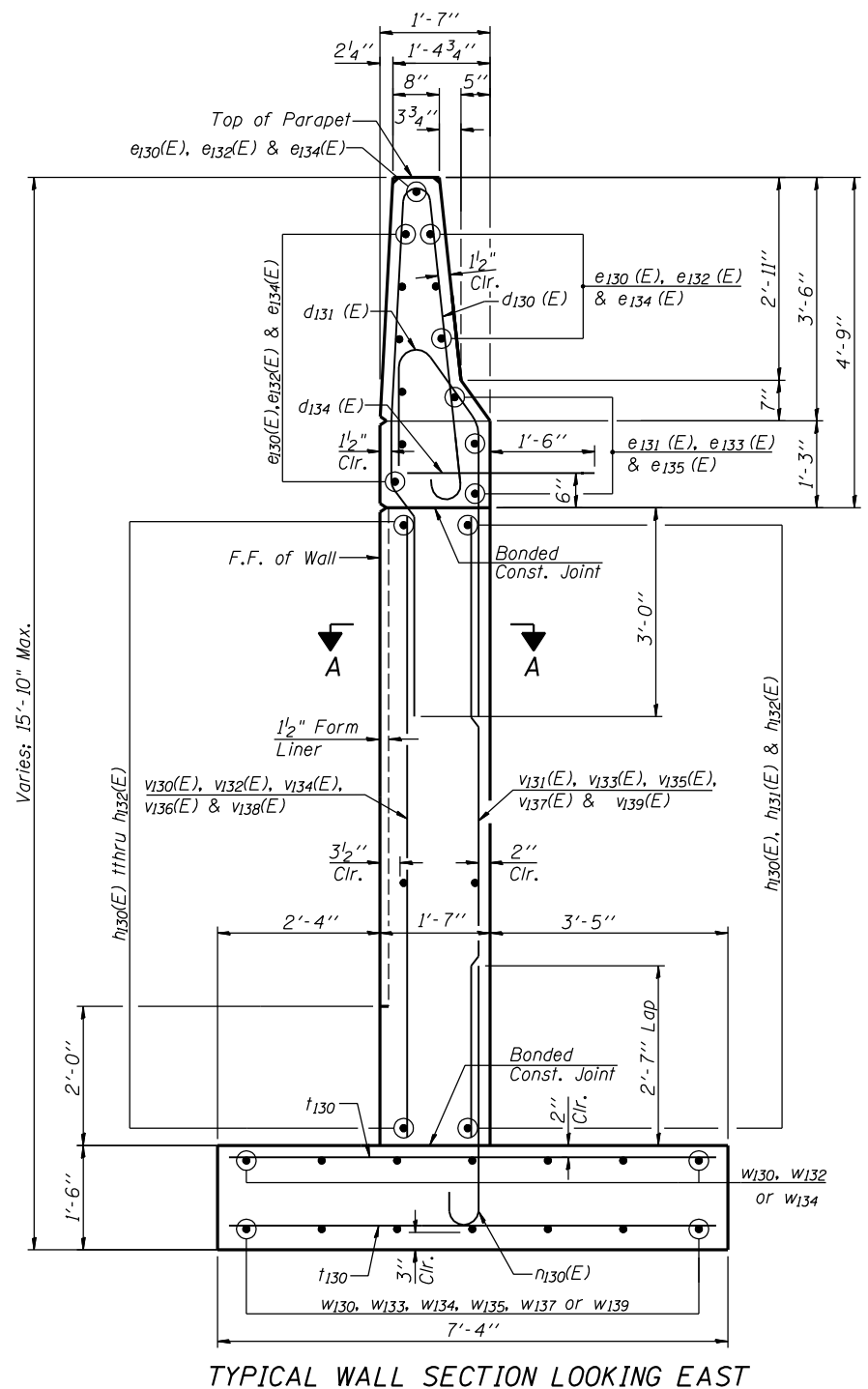


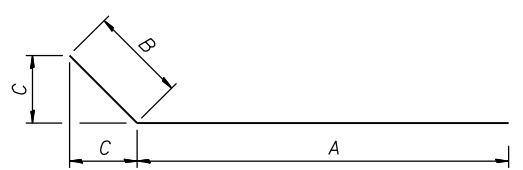
**RETAINING WALL
BILL OF MATERIAL**

Bar	No.	Size	Length	Shape
d130(E)	612	#5	13'-0"	
d131(E)	612	#5	7'-5"	
d132(E)	14	#6	8'-11"	
d133(E)	6	#6	5'-11"	
d134(E)	460	#6	2'-9"	
e130(E)	100	#4	32'-4"	
e131(E)	30	#8	36'-2"	
e132(E)	40	#4	24'-8"	
e133(E)	12	#8	24'-8"	
e134(E)	20	#4	29'-8"	
e135(E)	6	#8	29'-8"	
h130(E)	166	#4	32'-4"	
h131(E)	36	#4	29'-8"	
h132(E)	76	#4	24'-8"	
h134(E)	2	#5	5'-6"	
n130(E)	472	#5	4'-5"	
n131(E)	4	#5	6'-8"	
i130	935	#5	7'-1"	
v130(E)	60	#4	4'-10"	
v131(E)	60	#5	4'-10"	
v132(E)	60	#4	7'-4"	
v133(E)	60	#5	7'-4"	
v134(E)	50	#4	9'-3"	
v135(E)	50	#5	9'-3"	
v136(E)	62	#4	9'-0"	
v137(E)	62	#5	9'-0"	
v138(E)	90	#4	8'-8"	
v139(E)	90	#5	8'-8"	
v140(E)	4	#5	11'-5"	
v141(E)	4	#5	10'-10"	
v142(E)	4	#5	6'-0"	
v143(E)	4	#5	7'-4"	
v144(E)	4	#5	4'-10"	
v145(E)	4	#5	5'-6"	
v150(E)	94	#4	9'-2"	
v151(E)	94	#5	9'-2"	
v152(E)	50	#4	8'-7"	
v153(E)	50	#5	8'-7"	
w130	28	#5	29'-8"	
w131	7	#5	6'-6"	
w132	14	#5	31'-9"	
w133	7	#5	35'-7"	
w134	140	#5	34'-0"	
w135	7	#5	37'-4"	
w136	7	#5	6'-1"	
w137	7	#5	35'-11"	
w138	7	#5	5'-1"	
w139	7	#5	33'-4"	
w140	7	#5	6'-3"	
w141	7	#5	6'-1"	
Concrete Superstructure		Cu. Yd.	89.7	
Concrete Structures		Cu. Yd.	416.3	
Reinforcement Bars, Epoxy Coated		Pound	37,050	
Reinforcement Bars		Pound	14,460	

- NOTES:**
- Exposed Concrete edges shall have 3/4" x 45° chamfers, except where shown otherwise. Chamfers on vertical edges shall be continued one foot below finished ground level.
 - Reinforcement bars noted thus 6 x 3 #5 etc. indicates 6 lines of bars with 3 lengths of bars per line.



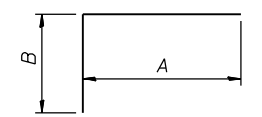
TYPICAL WALL SECTION LOOKING EAST



BARS w133, w135, w137 & w139

BAR DIMENSIONS

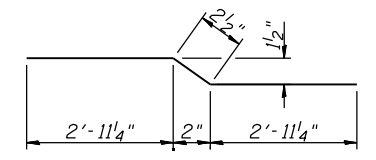
Bar	A	B	C
w133	30'-8"	4'-11"	3'-5 3/4"
w135	33'-0"	4'-4"	3'-0 3/4"
w137	33'-0"	2'-11"	2'-0 3/4"
w139	28'-8"	4'-8"	3'-3 5/8"



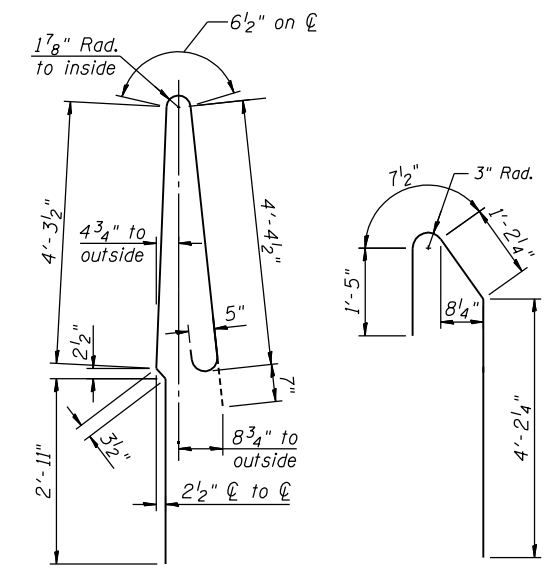
BARS w131, w136, w138, w140 & v140 (E) thru v145 (E)

BAR DIMENSIONS

Bar	A	B
w131	3'-0"	3'-6"
w136	3'-0"	3'-1"
w138	3'-0"	2'-1"
w140	3'-0"	3'-3"
v140(E)	6'-3"	5'-2"
v141(E)	5'-8"	5'-2"
v142(E)	3'-0"	3'-0"
v143(E)	3'-8"	3'-8"
v144(E)	3'-0"	1'-10"
v145(E)	3'-8"	1'-10"

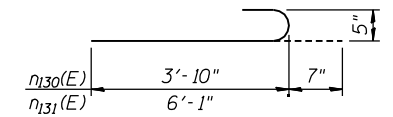


BAR w141

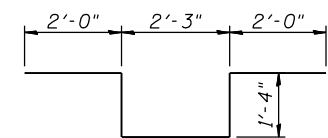


BAR d130 (E)

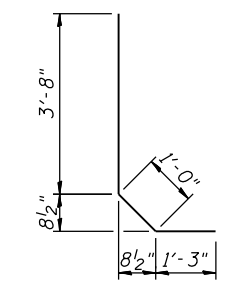
BAR d131 (E)



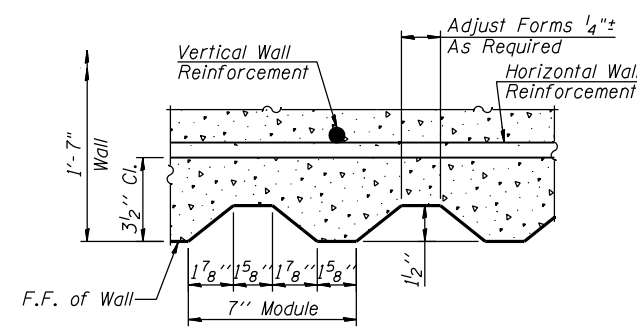
BARS n130 (E) & n131 (E)



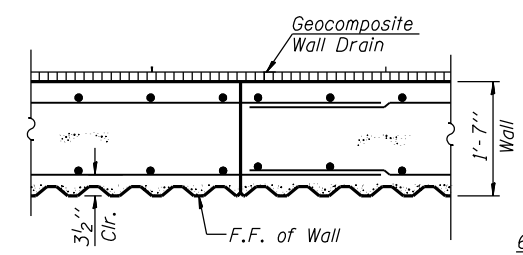
BAR d132 (E)



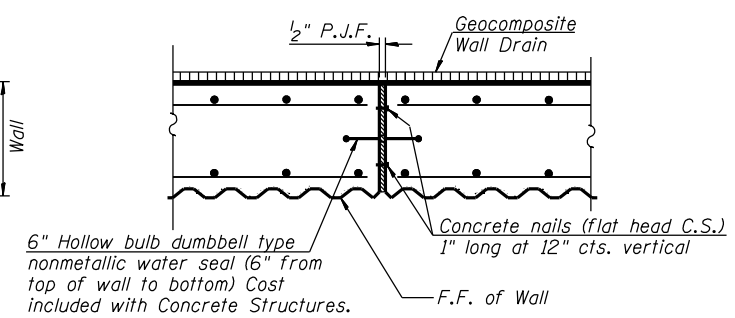
BAR d133 (E)



SECTION A-A



CONSTRUCTION JOINT SECTIONAL PLAN VIEW



EXPANSION JOINT SECTIONAL PLAN VIEW

H:\Jobs\2010\20100303\CAD\Structural\dwg\Re+Wal.Final\00.D160133-sc08-sc.dgn 8/2/2012 2:07:46 PM

USER NAME =	DESIGNED - R.K.-Z. 7/24/2012	REVISED -
PLOT SCALE =	CHECKED - J.A.Z. 7/24/2012	REVISED -
PLOT DATE =	DRAWN - R.K.-Z. 7/24/2012	REVISED -
	CHECKED - J.J.G. 7/24/2012	REVISED -

F.A.P. RTE.	SECTION	COUNTY	TOTAL SHEETS	SHEET NO.
349	(10 & 11VB) R-3	KANE	507	345
STA. 1252+00.00	ILLINOIS FED. AID PROJECT		CONTRACT NO. 60133	