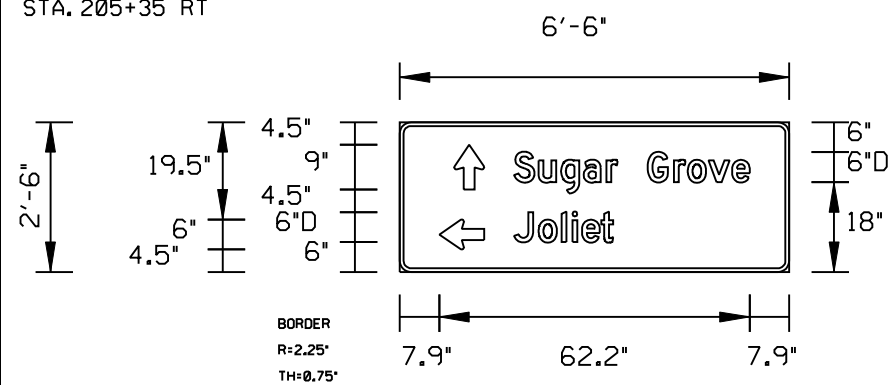


STA. 205+35 RT



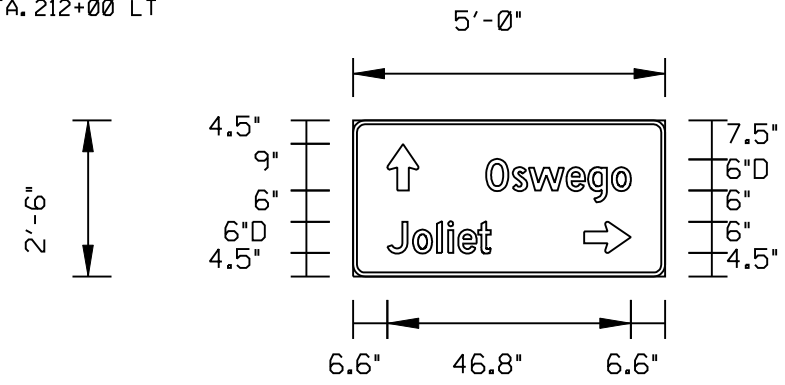
SIGN NUMBER	NB-IL-TS-25
WIDTH x HGHT.	6'-6" x 2'-6"
BORDER WIDTH	0.75"
CORNER RADIUS	2.25"
MOUNTING	Ground
BACKGROUND	TYPE: Reflective COLOR: Green
LEGEND/BORDER	TYPE: Reflective COLOR: White

SYMBOL	ROT	X	Y	WID	HT
AR_Type D	0	10.9	16.5	6	9
AR_Type D	90	7.9	4.5	6	9

Panel Stylesguide.con.destination.ssi M.U.T.C.D. 2009 Edition  
 Dimensions are inches.tenths Letter locations are panel edge to lower left corner

LETTER POSITIONS (X)												LENGTH	SERIES/SIZE		
S	u	g	a	r	G	r	o	v	e					D 2000	
22.9	27.8	32.3	36.8	41.4	43.7	49.7	54.9	57.7	61.8	66.6				47.2	6/4.5
J	o	l	i	e	t									D 2000	
22.9	27.8	32.4	34.6	36.5	40.4									19.9	6/4.5

STA. 212+00 LT



SIGN NUMBER	SB-IL-TS-75
WIDTH x HGHT.	5'-0" x 2'-6"
BORDER WIDTH	0.75"
CORNER RADIUS	2.25"
MOUNTING	Ground
BACKGROUND	TYPE: Reflective COLOR: Green
LEGEND/BORDER	TYPE: Reflective COLOR: White

SYMBOL	ROT	X	Y	WID	HT
AR_Type D	0	6.6	16.5	6	9
AR_Type D	270	44.4	4.5	6	9

Panel Stylesguide.con.destination.ssi M.U.T.C.D. 2009 Edition  
 Dimensions are inches.tenths Letter locations are panel edge to lower left corner

LETTER POSITIONS (X)												LENGTH	SERIES/SIZE		
O	s	w	e	g	o									D 2000	
25.6	30.7	33.8	41.1	45.2	49.8									27.9	6/4.5
J	o	l	i	e	t									D 2000	
6.6	11.5	16.1	18.3	20.2	24									19.9	6/4.5

8FILE# 5/16/2012 12:54:20 AM

USER NAME = 1654	DESIGNED -	JWB	REVISED -	
PLOT SCALE = 100.0000' / IN.	DRAWN -	JWB	REVISED -	
PLOT DATE = 5/16/2012	CHECKED -	RS	REVISED -	
	DATE -	05/11/2012	REVISED -	

**STATE OF ILLINOIS  
DEPARTMENT OF TRANSPORTATION**

**U.S. ROUTE 30 AT IL ROUTE 31  
SIGN DETAILS**

F.A.P. RTE.	SECTION	COUNTY	TOTAL SHEETS	SHEET NO.
349	(10 & 11 VB) R-3	*	507	382
* KANE AND KENDALL			CONTRACT NO. 60133	
ILLINOIS FED. AID PROJECT				