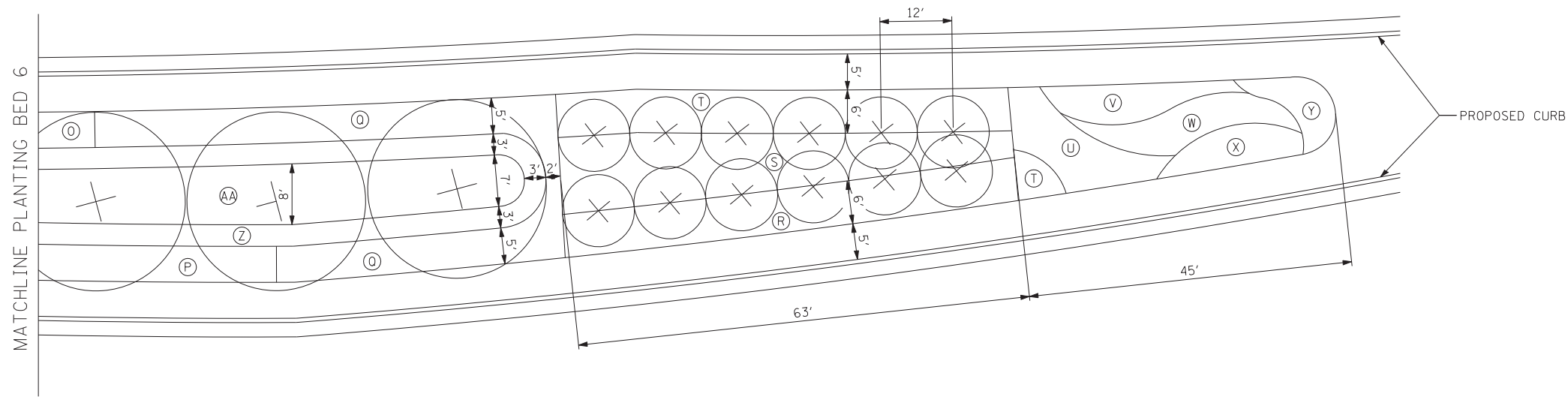


PLANTING BED 6



PLANTING BED 6



<b>TYLIN INTERNATIONAL</b>	USER NAME =	DESIGNED -	REVISED -
		DRAWN -	REVISED -
	PLOT SCALE =	CHECKED -	REVISED -
	PLOT DATE =	DATE - 5/23/2012	REVISED -

**STATE OF ILLINOIS  
DEPARTMENT OF TRANSPORTATION**

**147TH STREET PROJECT  
LANDSCAPE PLANS  
PLANTING BEDS DETAIL 6**

SCALE: SHEET NO. 6 OF 10 SHEETS STA. TO STA.

F.A.I. RTE.	SECTION	COUNTY	TOTAL SHEETS	SHEET NO.
XX	(0405-1 & 0506-2) R-1	COOK	577	<b>337d</b>
FED. ROAD DIST. NO.			CONTRACT NO. 60M57	
ILLINOIS FED. AID PROJECT				