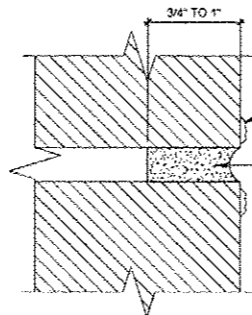


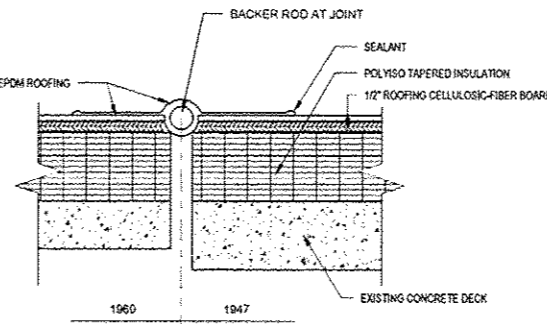
1. #1 - 2 x 6 TREATED WOOD FORMWORK/FASCIA - CONTINUOUS ALONG ROOF EDGE FASTENED TO EDGE OF CONCRETE ROOF DECK WITH 3/4" x 1/4" #10 STAINLESS STEEL SCREWS AT 12" O.C.
2. 1/2" DIA. THREADED ROD EPOXY ANCHOR AT 6" OC
3. SAW-CUT FULL DEPTH
4. BONDED CONSTRUCTION JOINT

5 CONCRETE OVERHANG REPAIR DETAIL
1 1/2" = 1'-0"

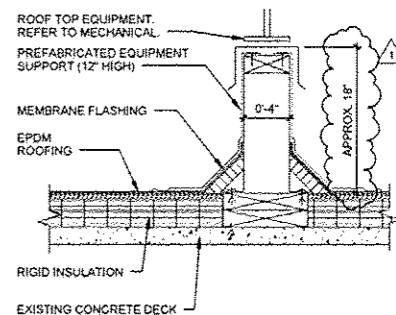


- REMOVE EXISTING LATENT MORTAR FROM FACE OF BRICK
- GRIND OUT EXISTING MORTAR 3/4" TO 1" BACK FROM FACE OF BRICK. PROVIDE NEW MORTAR. SEE SPECIAL PROVISIONS

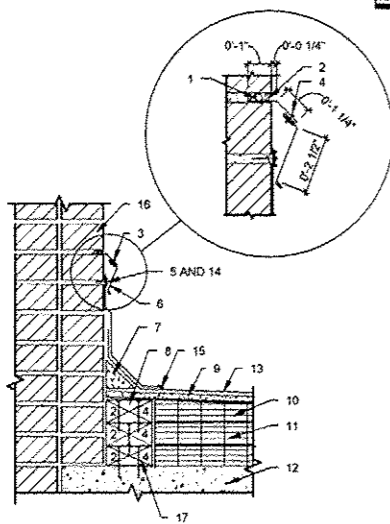
6 TUCKPOINTING DETAIL
12" = 1'-0"



7 EXPANSION JOINT DETAIL
3" = 1'-0"

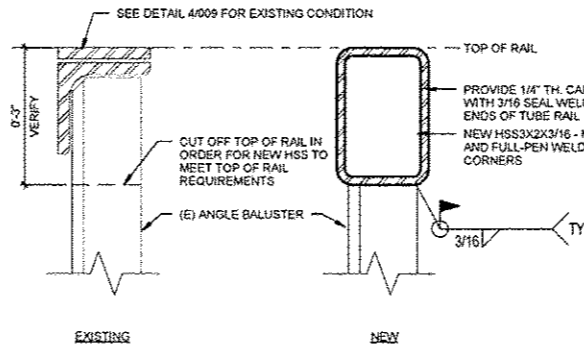


8 EQUIPMENT SUPPORT
1 1/2" = 1'-0"

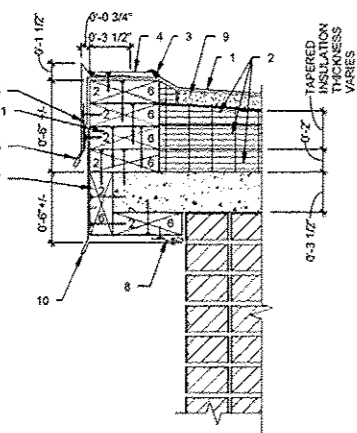


1. ROLLED LEAD WEDGE / BACKER ROD - SPACE ROLLED LEAD WEDGE AT 30° MAXIMUM TYPICAL. PLACE BACKER ROD BETWEEN WEDGES CONTINUOUS.
2. ELASTOMERIC JOINT SEALANT - POLYURETHANE SEALANT CONTINUOUS AND TOOLED SMOOTH.
3. PREFINISHED METAL WALL FLASHING RECEIVER - INSERTED INTO CUT REGLET IN MASONRY MORTAR JOINT CUT 1" DEEP MIN. - THIS RECEIVER IS TO BE PERMANENT.
4. #6 3/4" PAN HEAD STAINLESS STEEL SHEETMETAL SCREW - INSERT SCREW INTO METAL RECEIVER AT 30° MAXIMUM TYPICAL.
5. TERMINATION BAR - CONTINUOUS ALONG ROOFING MEMBRANE - APPLY MANUFACTURER APPROVED CAP BEAD OF SEALANT CONTINUOUS ALONG TOP EDGE OF TERMINATION BAR AND INSTALL SEALANT BETWEEN MEMBRANE AND MASONRY SUBSTRATE.
6. PREFINISHED METAL REMOVABLE WALL COUNTER-FLASHING - INSERT INTO RECEIVER PORTION COVERING ROOFING TERMINATION BAR.
7. FIBER CANT - AS REQUIRED BY ROOFING MANUFACTURER.

3 TWO-PIECE REMOVEABLE COUNTER-FLASHING - TYP.
1 1/2" = 1'-0"

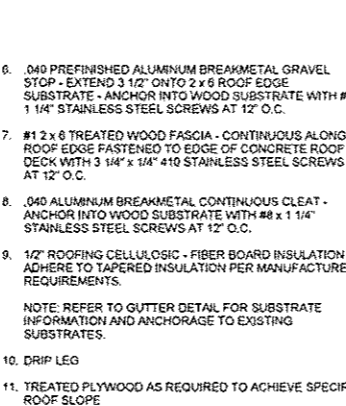


4 RAIL REPLACEMENT DETAIL
6" = 1'-0"



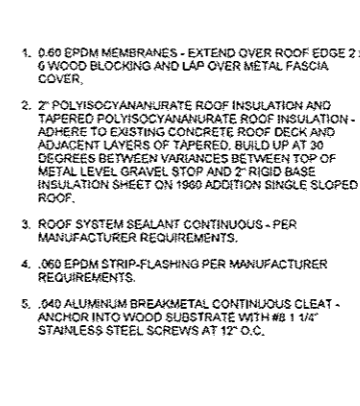
1. 0.60 EPDM MEMBRANES - EXTEND OVER ROOF EDGE 2 x 6 WOOD BLOCKING AND LAP OVER METAL FASCIA COVER.
2. 2" POLYISOCYANURATE ROOF INSULATION AND TAPERED POLYISOCYANURATE ROOF INSULATION - ADHERE TO EXISTING CONCRETE ROOF DECK AND ADJACENT LAYERS OF TAPERED. BUILD UP AT 30 DEGREES BETWEEN VARIANCES BETWEEN TOP OF METAL LEVEL GRAVEL STOP AND 2" RIGID BASE INSULATION SHEET ON 1960 ADDITION SINGLE SLOPED ROOF.
3. ROOF SYSTEM SEALANT CONTINUOUS - PER MANUFACTURER REQUIREMENTS.
4. .060 EPDM STRIP-FLASHING PER MANUFACTURER REQUIREMENTS.
5. .040 ALUMINUM BREAKMETAL CONTINUOUS CLEAT - ANCHOR INTO WOOD SUBSTRATE WITH #8 1 1/4" STAINLESS STEEL SCREWS AT 12" O.C.

1 3 1/2" ROOF EDGE DETAIL
1 1/2" = 1'-0"



6. .040 PREFINISHED ALUMINUM BREAKMETAL GRAVEL STOP - EXTEND 3 1/2" ONTO 2 x 6 ROOF EDGE SUBSTRATE - ANCHOR INTO WOOD SUBSTRATE WITH #8 1 1/4" STAINLESS STEEL SCREWS AT 12" O.C.
7. #1 2 x 6 TREATED WOOD FASCIA - CONTINUOUS ALONG ROOF EDGE FASTENED TO EDGE OF CONCRETE ROOF DECK WITH 3/4" x 1/4" #10 STAINLESS STEEL SCREWS AT 12" O.C.
8. .040 ALUMINUM BREAKMETAL CONTINUOUS CLEAT - ANCHOR INTO WOOD SUBSTRATE WITH #8 x 1 1/4" STAINLESS STEEL SCREWS AT 12" O.C.
9. 1/2" ROOFING CELLULOSIC - FIBER BOARD INSULATION - ADHERE TO TAPERED INSULATION PER MANUFACTURER REQUIREMENTS.
- NOTE: REFER TO GUTTER DETAIL FOR SUBSTRATE INFORMATION AND ANCHORAGE TO EXISTING SUBSTRATES.
10. DRIP LEG
11. TREATED PLYWOOD AS REQUIRED TO ACHIEVE SPECIFIED ROOF SLOPE

2 5" ROOF EDGE DETAIL
1 1/2" = 1'-0"



1. 0.60 EPDM MEMBRANES - EXTEND OVER ROOF EDGE 2 x 6 WOOD BLOCKING AND LAP OVER METAL FASCIA COVER.
2. 2" POLYISOCYANURATE ROOF INSULATION AND TAPERED POLYISOCYANURATE ROOF INSULATION - ADHERE TO EXISTING CONCRETE ROOF DECK AND ADJACENT LAYERS OF TAPERED. BUILD UP AT 30 DEGREES BETWEEN VARIANCES BETWEEN TOP OF METAL LEVEL GRAVEL STOP AND 2" RIGID BASE INSULATION SHEET ON 1960 ADDITION SINGLE SLOPED ROOF.
3. ROOF SYSTEM SEALANT CONTINUOUS - PER MANUFACTURER REQUIREMENTS.
4. .060 EPDM STRIP-FLASHING PER MANUFACTURER REQUIREMENTS.
5. .040 ALUMINUM BREAKMETAL CONTINUOUS CLEAT - ANCHOR INTO WOOD SUBSTRATE WITH #8 1 1/4" STAINLESS STEEL SCREWS AT 12" O.C.
6. .040 PREFINISHED ALUMINUM BREAKMETAL GRAVEL STOP - EXTEND 3 1/2" ONTO 2 x 6 ROOF EDGE SUBSTRATE - ANCHOR INTO WOOD SUBSTRATE WITH #8 1 1/4" STAINLESS STEEL SCREWS AT 12" O.C.
7. #1 2 x 6 TREATED WOOD FASCIA - CONTINUOUS ALONG ROOF EDGE FASTENED TO EDGE OF CONCRETE ROOF DECK WITH 3/4" x 1/4" #10 STAINLESS STEEL SCREWS AT 12" O.C.
8. .040 ALUMINUM BREAKMETAL CONTINUOUS CLEAT - ANCHOR INTO WOOD SUBSTRATE WITH #8 x 1 1/4" STAINLESS STEEL SCREWS AT 12" O.C.
9. 1/2" ROOFING CELLULOSIC - FIBER BOARD INSULATION - ADHERE TO TAPERED INSULATION PER MANUFACTURER REQUIREMENTS.
- NOTE: REFER TO GUTTER DETAIL FOR SUBSTRATE INFORMATION AND ANCHORAGE TO EXISTING SUBSTRATES.
10. DRIP LEG
11. TREATED PLYWOOD AS REQUIRED TO ACHIEVE SPECIFIED ROOF SLOPE