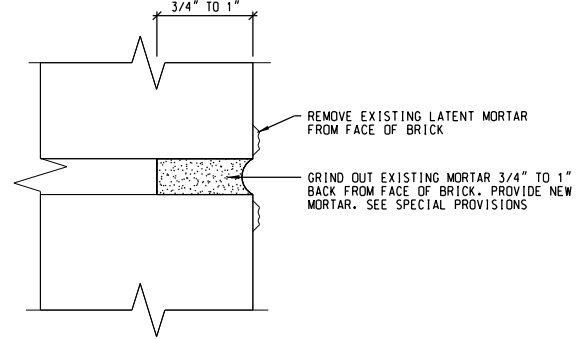


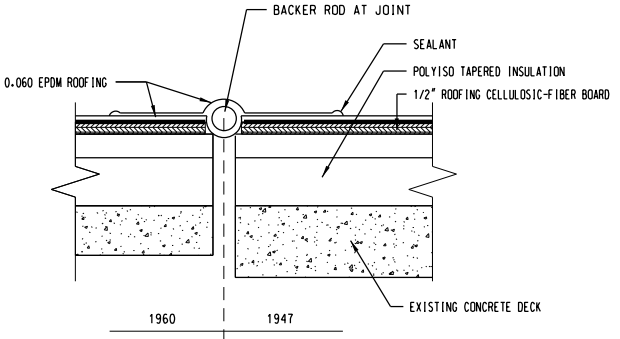
- #1 - 2 x 8 TREATED WOOD FORMWORK/FASCIA - CONTINUOUS ALONG ROOF EDGE FASTENED TO EDGE OF CONCRETE ROOF DECK WITH 3 1/4" x 1/4" 410 STAINLESS STEEL SCREWS AT 12" O.C.
- 1/2" DIA. THREADED ROD EPOXY ANCHOR AT 6" OC
- SAW-CUT FULL DEPTH
- BONDED CONSTRUCTION JOINT

5 CONCRETE OVERHANG REPAIR DETAIL



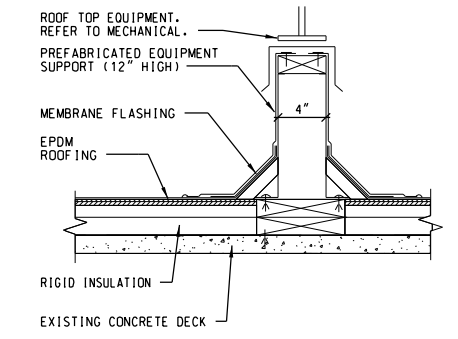
- REMOVE EXISTING LATENT MORTAR FROM FACE OF BRICK
- GRIND OUT EXISTING MORTAR 3/4" TO 1" BACK FROM FACE OF BRICK. PROVIDE NEW MORTAR. SEE SPECIAL PROVISIONS

6 TUCKPOINTING DETAIL



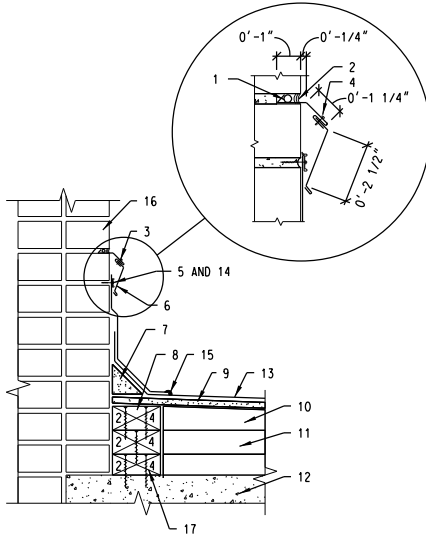
- BACKER ROD AT JOINT
- SEALANT
- POLYISO TAPERED INSULATION
- 1/2" ROOFING CELLULOSE-FIBER BOARD
- EXISTING CONCRETE DECK

7 EXPANSION JOINT DETAIL



- ROOF TOP EQUIPMENT. REFER TO MECHANICAL.
- PREFABRICATED EQUIPMENT SUPPORT (12" HIGH)
- MEMBRANE FLASHING
- EPDM ROOFING
- RIGID INSULATION
- EXISTING CONCRETE DECK

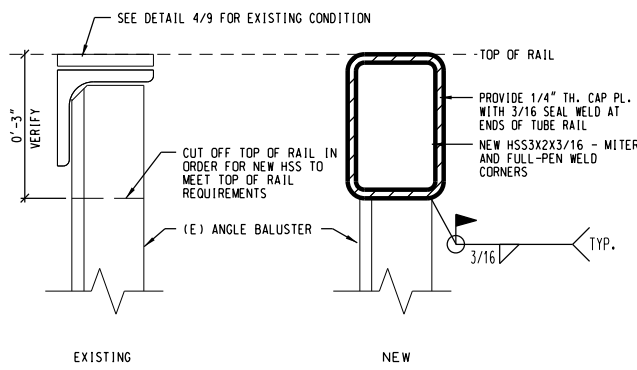
8 EQUIPMENT SUPPORT



- ROLLED LEAD WEDGE / BACKER ROD - SPACE ROLLED LEAD WEDGE AT 30" MAXIMUM TYPICAL - PLACE BACKER ROD BETWEEN WEDGES CONTINUOUS.
- ELASTOMERIC JOINT SEALANT - POLYURETHANE SEALANT CONTINUOUS AND TOOLED SMOOTH.
- PREFINISHED METAL WALL FLASHING RECEIVER - INSERTED INTO CUT REGLET IN MASONRY MORTAR JOINT CUT 1" DEEP MIN. - THIS RECEIVER IS TO BE PERMANENT.
- #6 3/4" PAN HEAD STAINLESS STEEL SHEETMETAL SCREW - INSERT SCREW INTO METAL RECEIVER AT 30" MAXIMUM TYPICAL.
- TERMINATION BAR - CONTINUOUS ALONG ROOFING MEMBRANE - APPLY MANUFACTURER APPROVED CAP BEAD OF SEALANT CONTINUOUS ALONG TOP EDGE OF TERMINATION BAR AND INSTALL SEALANT BETWEEN MEMBRANE AND MASONRY SUBSTRATE.
- PREFINISHED METAL REMOVEABLE WALL COUNTER-FLASHING - INSERT INTO RECEIVER PORTION COVERING ROOFING TERMINATION BAR.
- FIBER CANT - AS REQUIRED BY ROOFING MANUFACTURER.

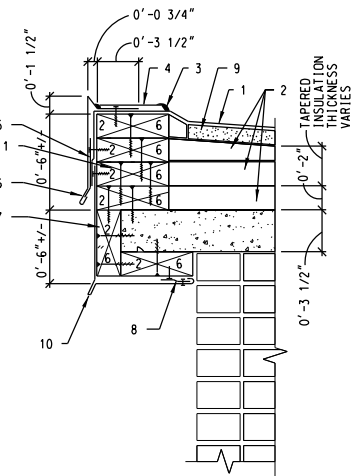
3 TWO-PIECE REMOVEABLE COUNTER-FLASHING - TYP.

- #2 - 2 x 4 TREATED WOOD DECK PLATE - INSTALL WITH STAINLESS STEEL SCREWS - MATCH ROOF INSULATION THICKNESS.
- 1/2" BC PLYWOOD RIPPER - CONTINUOUS ALONG NORTH ROOF EDGE ON UPPER ROOF - ANCHOR INTO 2 x 4 WOOD SUBSTRATE.
- TAPERED POLYISOCYANURATE ROOF INSULATION - ADHERED TO BASE SHEET PER MANUFACTURER REQUIREMENTS.
- 2" POLYISOCYANURATE ROOF INSULATION - ADHERE TO EXISTING CONCRETE ROOF DECK.
- EXISTING CONCRETE ROOF DECK.
- 0.60 EPDM MEMBRANE - EXTEND UP WALL AND OR CHIMNEY AND TERMINATE WITH TERMINATION BAR AS REQUIRED BY MANUFACTURER.
- 1/4" x 1 1/2" HEX STAINLESS STEEL CONCRETE SCREW - INSTALL THRU TERMINATION BAR INTO MASONRY MORTAR JOINT.
- ROOFING SYSTEM SEALANT - CONTINUOUS PER MANUFACTURER REQUIREMENTS.
- EXISTING MASONRY FACE BRICK.
- TREATED PLYWOOD AS REQUIRED TO ACHIEVE SPECIFIED ROOF SLOPE.



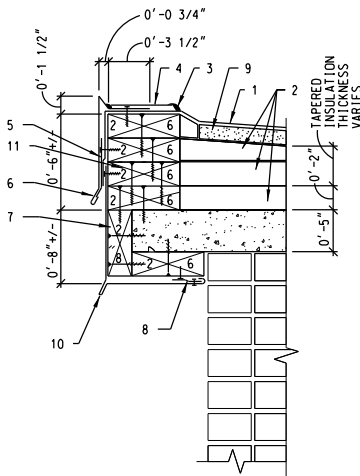
- SEE DETAIL 4/9 FOR EXISTING CONDITION
- TOP OF RAIL
- PROVIDE 1/4" TH. CAP PL. WITH 3/16 SEAL WELD AT ENDS OF TUBE RAIL
- NEW HSS3X2X3/16 - MITER AND FULL-PEN WELD CORNERS
- 3/16 TYP.
- (E) ANGLE BALUSTER
- CUT OFF TOP OF RAIL IN ORDER FOR NEW HSS TO MEET TOP OF RAIL REQUIREMENTS
- VERIFY 0'-3"

4 RAIL REPLACEMENT DETAIL



- 0.60 EPDM MEMBRANES - EXTEND OVER ROOF EDGE 2 x 6 WOOD BLOCKING AND LAP OVER METAL FASCIA COVER.
- 2" POLYISOCYANURATE ROOF INSULATION AND TAPERED POLYISOCYANURATE ROOF INSULATION - ADHERE TO EXISTING CONCRETE ROOF DECK AND ADJACENT LAYERS OF TAPERED. BUILD UP AT 30 DEGREES BETWEEN VARIANCES BETWEEN TOP OF METAL LEVEL GRAVEL STOP AND 2" RIGID BASE INSULATION SHEET ON 1960 ADDITION SINGLE SLOPED ROOF.
- ROOF SYSTEM SEALANT CONTINUOUS - PER MANUFACTURER REQUIREMENTS.
- .060 EPDM STRIP-FLASHING PER MANUFACTURER REQUIREMENTS.
- .040 ALUMINUM BREAKMETAL CONTINUOUS CLEAT - ANCHOR INTO WOOD SUBSTRATE WITH #8 1 1/4" STAINLESS STEEL SCREWS AT 12" O.C.

1 3 1/2" ROOF EDGE DETAIL



- 0.60 EPDM MEMBRANES - EXTEND OVER ROOF EDGE 2 x 6 WOOD BLOCKING AND LAP OVER METAL FASCIA COVER.
- 2" POLYISOCYANURATE ROOF INSULATION AND TAPERED POLYISOCYANURATE ROOF INSULATION - ADHERE TO EXISTING CONCRETE ROOF DECK AND ADJACENT LAYERS OF TAPERED. BUILD UP AT 30 DEGREES BETWEEN VARIANCES BETWEEN TOP OF METAL LEVEL GRAVEL STOP AND 2" RIGID BASE INSULATION SHEET ON 1960 ADDITION SINGLE SLOPED ROOF.
- ROOF SYSTEM SEALANT CONTINUOUS - PER MANUFACTURER REQUIREMENTS.
- .060 EPDM STRIP-FLASHING PER MANUFACTURER REQUIREMENTS.
- .040 ALUMINUM BREAKMETAL CONTINUOUS CLEAT - ANCHOR INTO WOOD SUBSTRATE WITH #8 1 1/4" STAINLESS STEEL SCREWS AT 12" O.C.

2 5" ROOF EDGE DETAIL

- #1 2 x 8 TREATED WOOD FASCIA - CONTINUOUS ALONG ROOF EDGE FASTENED TO EDGE OF CONCRETE ROOF DECK WITH 3 1/4" x 1/4" 410 STAINLESS STEEL SCREWS AT 12" O.C.
- .040 ALUMINUM BREAKMETAL CONTINUOUS CLEAT - ANCHOR INTO WOOD SUBSTRATE WITH #8 x 1 1/4" STAINLESS STEEL SCREWS AT 12" O.C.
- 1/2" ROOFING CELLULOSE - FIBER BOARD INSULATION - ADHERE TO TAPERED INSULATION PER MANUFACTURER REQUIREMENTS.
- DRIP LEG
- TREATED PLYWOOD AS REQUIRED TO ACHIEVE SPECIFIED ROOF SLOPE



USER NAME =	DESIGNED - LOF	REVISED
PLOT SCALE =	DRAWN - BRK	REVISED
PLOT DATE = 06-28-2012	CHECKED - EJM	REVISED
	APPROVED - GLC	REVISED

STATE OF ILLINOIS
DEPARTMENT OF
TRANSPORTATION

NEW WORK DETAILS

Scale SHEET NO. 11 OF 11 SHEETS Station From Station To

F.A.P. RTE.	SECTION	COUNTY	TOTAL SHEETS	SHEET NO.
	2012-0451	WILL	11	11
CONTRACT NO. 60V37			ILLINOIS FED. AID PROJECT	