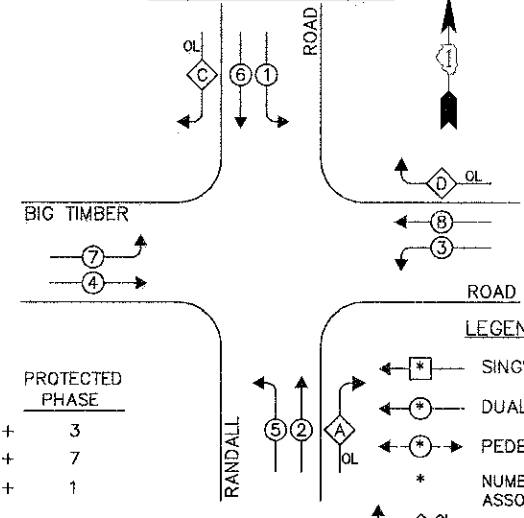


TEMPORARY CABLE PLAN

IMPORTANT NOTE:
 PHASES 2 AND 6 WILL BE PLACED ON
 MINIMUM RECALL AND PHASES 1 AND 5
 SHALL HAVE THE ANTI-BACKUP FEATURE
 DISABLED.

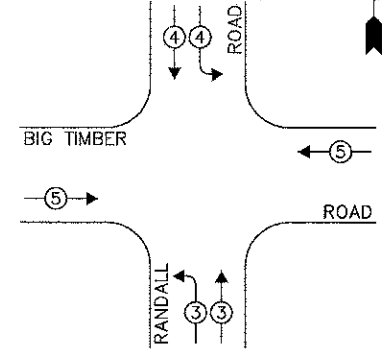
TEMPORARY
 CONTROLLER SEQUENCE



TEMPORARY PHASE DESIGNATION DIAGRAM

OVERLAP LETTER	PERMISSIVE PHASE	PROTECTED PHASE
A	= 2 + 3	
C	= 6 + 7	
D	= 8 + 1	

TEMPORARY
 EMERGENCY VEHICLE
 PREEMPTION SEQUENCE



TEMPORARY EMERGENCY VEHICLE PREEMPTORS				
EMERGENCY VEHICLE PREEMPTOR	3	4	5	
MOVEMENT	71	14	11	

KANE COUNTY DIVISION OF TRANSPORTATION TRAFFIC SIGNAL INSTALLATION ELECTRICAL SERVICE REQUIREMENTS				TOTAL WATTAGE	
TYPE	NO. LAMPS	INCAND.	L.E.D. % OPERATION		
SIGNAL (RED)	18	135	17	0.50	153.0
SIGNAL (YELLOW)	18	135	25	0.25	112.5
SIGNAL (GREEN)	18	135	15	0.25	67.5
ARROW	20	135	12	0.10	24.0
PED. SIGNAL	-	90	25	1.00	-
CONTROLLER	1	-	100	1.00	100.0
LUMINAIRE	-	-	250	0.50	-
L.E.D. ST. NAME SIGN	-	-	64	0.50	-
VIDEO SYSTEM	1	-	150	1.00	150.0
BATTERY BACKUP	1	-	25	1.00	25.0
ILLUMINATED SIGN	-	-	25	0.05	-
TOTAL =				632.0	

ENERGY COSTS - BILLED TO: CITY OF ELGIN
 (ADDRESS) 150 DEXTER COURT
 (ADDRESS) ELGIN, ILLINOIS 60120
 ENERGY SUPPLY - CONTACT: NEW BUSINESS
 PHONE: (866) 639-3532
 COMPANY: COM-ED - ELGIN

THE TRAFFIC SIGNAL CONTROL EQUIPMENT
 FOR THIS PROJECT SHALL BE SIEMENS
 M-50 SERIES IP ACCESSIBLE VIA
 ETHERNET TO THE KDOT ATMS TO MATCH
 THE EXISTING ADJACENT SYSTEM.

FILE NAME = 4459.000-TRI.dwg	USER NAME = ZACH WALLSTEN	DESIGNED - JRD	REVISED -
PLOT SCALE = 1" = .0833'	CHECKED - KLB	DRAWN - ZCW	REVISED -
PLOT DATE = 3/21/2012	DATE - 3/21/2012		REVISED -

**STATE OF ILLINOIS
 DEPARTMENT OF TRANSPORTATION**

**TEMPORARY CABLE PLAN, TEMPORARY PHASE DESIGNATION
 DIAGRAM, & TEMPORARY VEHICLE PREEMPTION SEQUENCE
 BIG TIMBER ROAD (CH 21) AT RANDALL ROAD (CH 34)**

F.A.P. RITE. 527	SECTION 08-00369-00-SP	COUNTY KANE	TOTAL SHEETS 67	SHEET NO. 20
CONTRACT # 63669			GHA #4459.000	
ILLINOIS FED. AID PROJECT				