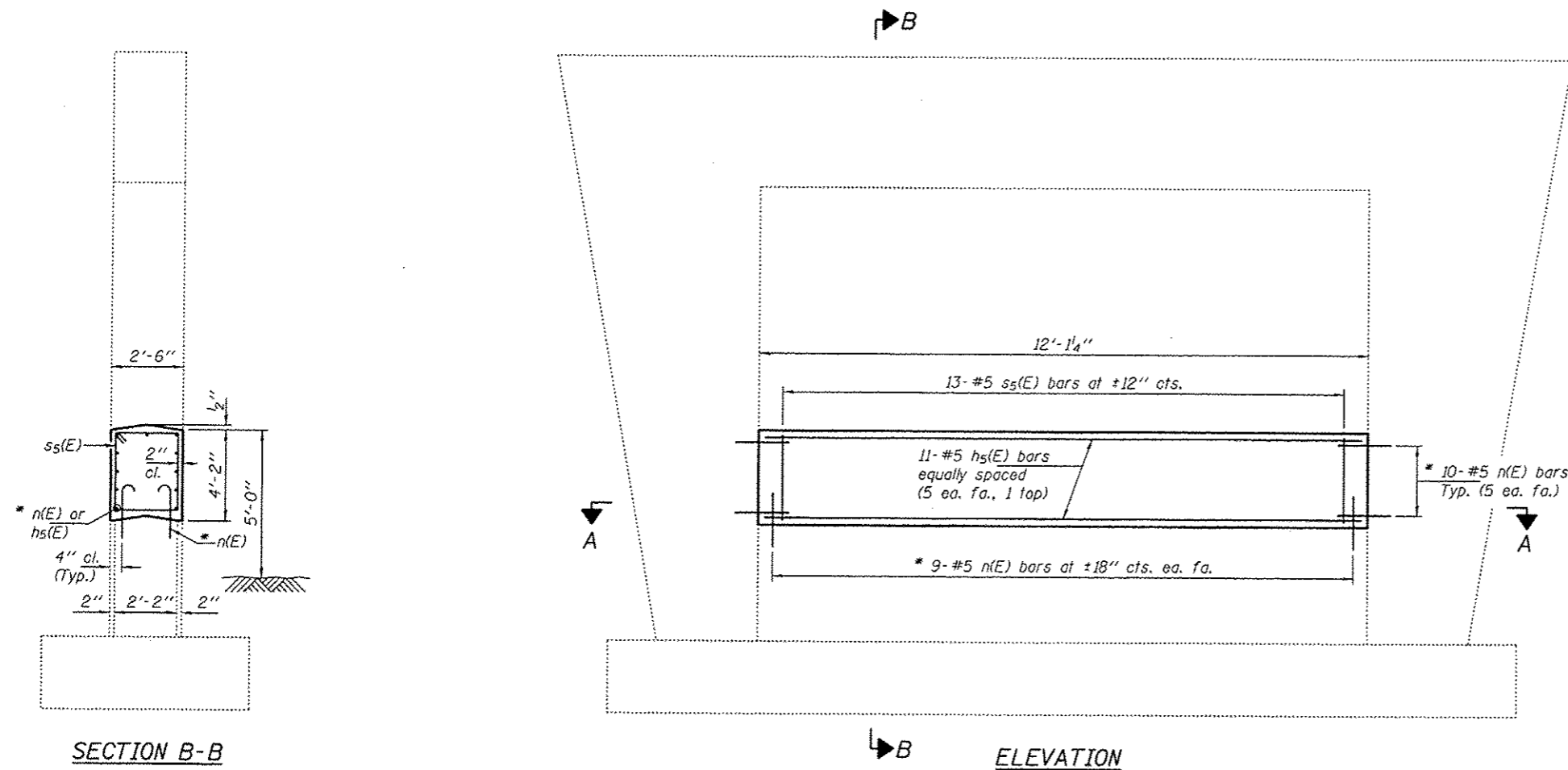
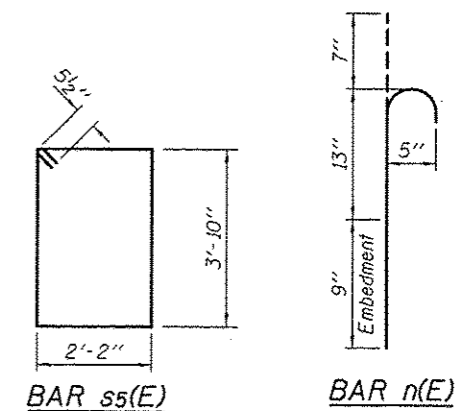


NOTES

The cost of epoxy grouting threaded rods shall be included with Reinforcement Bars, Epoxy Coated.
 Plan dimensions and details relative to existing plans are subject to nominal construction variations. The Contractor shall field verify existing dimensions and details affecting new construction and make necessary approved adjustments prior to construction or ordering of materials. Such variations shall not be cause for additional compensation for a change in scope of the work, however, the Contractor will be paid for the quantity actually furnished at the unit price bid for the work.
 Reinforcement bars designated (E) shall be epoxy coated.

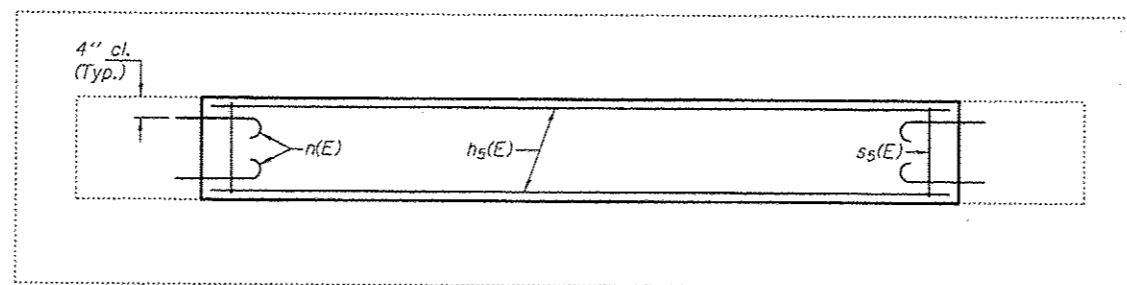
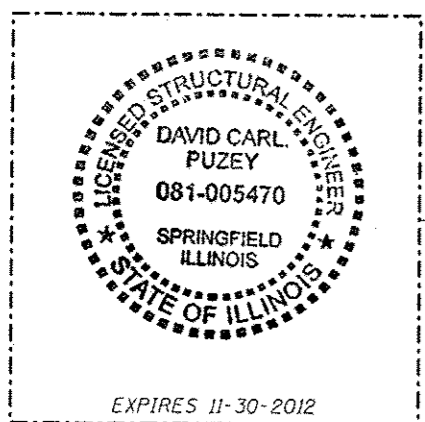


* Epoxy grout n(E) bars in 9" min. holes according to Article 584 of the Standard Specifications.



BILL OF MATERIAL

Bar	No.	Size	Length	Shape
h ₅ (E)	11	#5	11'-9"	—
n(E)	38	#5	2'-5"	U
s ₅ (E)	13	#5	12'-11"	□
Concrete Structures			Cu. Yd.	4.7
Reinforcement Bars, Epoxy Coated			Pound	410



SECTION A-A

DESIGNED <i>DAB</i>	EXAMINED <i>Tammy A. Alch</i>	DATE - JUNE 5, 2012	STATE OF ILLINOIS DEPARTMENT OF TRANSPORTATION	PIER CRASHWALL EXTENSION 052-0050	F.A.I. RTE. 412	SECTION D2 SAFETY 2012-1	COUNTY LEE	TOTAL SHEETS 175	SHEET NO. 59
CHECKED <i>ARS</i>	PASSED <i>D. Carl Puzey</i>	REVISED <i>09/11/2012</i>			CONTRACT NO. 64HT6				
DRAWN <i>bagiva</i>	ACTING ENGINEER OF BRIDGES AND STRUCTURES	REVISIONS			ILLINOIS FED. AID PROJECT				