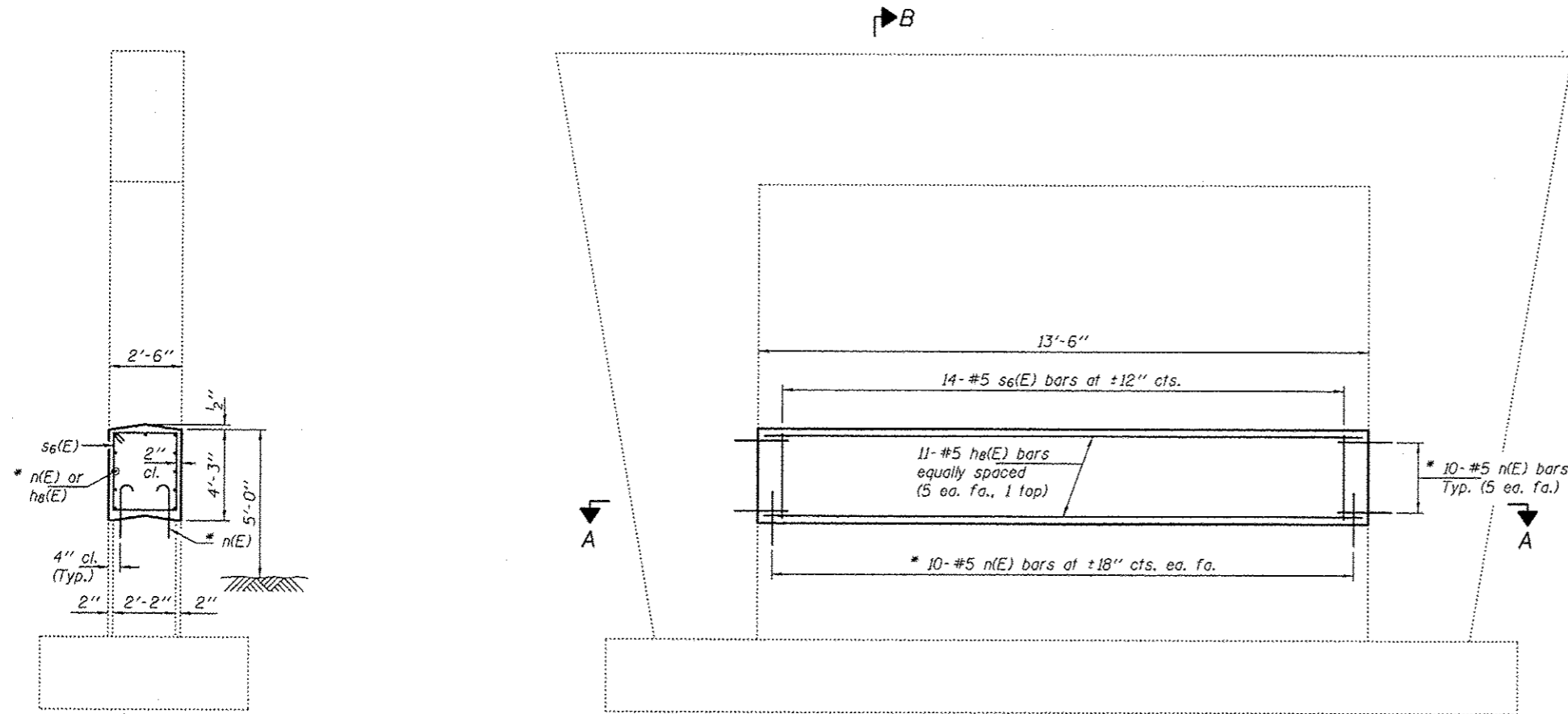


NOTES

The cost of epoxy grouting threaded rods shall be included with Reinforcement Bars, Epoxy Coated.
 Plan dimensions and details relative to existing plans are subject to nominal construction variations. The Contractor shall field verify existing dimensions and details affecting new construction and make necessary approved adjustments prior to construction or ordering of materials. Such variations shall not be cause for additional compensation for a change in scope of the work, however, the Contractor will be paid for the quantity actually furnished at the unit price bid for the work.
 Reinforcement bars designated (E) shall be epoxy coated.

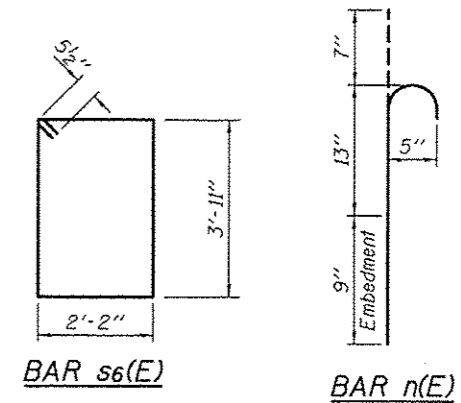


SECTION B-B

* Epoxy grout n(E) bars in 9" min. holes according to Article 584 of the Standard Specifications.

ELEVATION

SECTION A-A



BAR s6(E)

BAR n(E)

BILL OF MATERIAL

Bar	No.	Size	Length	Shape
hb(E)	11	#5	13'-2"	—
n(E)	40	#5	2'-5"	—
s6(E)	14	#5	13'-1"	□
Concrete Structures			Cu. Yd.	5.3
Reinforcement Bars, Epoxy Coated			Pound	440



DESIGNED *DAB*
 CHECKED *ARS*
 DRAWN *baliva*
 CHECKED *DAB ARS*

EXAMINED
 PASSED

Timothy A. A. [Signature]
 REGISTERED PROFESSIONAL ENGINEER
 IN THE STATE OF ILLINOIS
 ACTING ENGINEER OF BRIDGES AND STRUCTURES

DATE - JUNE 5, 2012
 REVISED *Δ* 09/11/2012
 REVISED

STATE OF ILLINOIS
 DEPARTMENT OF TRANSPORTATION

PIER CRASHWALL EXTENSION
 071-0054

SHEET NO. OF SHEETS

F.A.I. RTE.	SECTION	COUNTY	TOTAL SHEETS	SHEET NO.
412	D2 SAFETY 2012-1	OGLE	175	66
CONTRACT NO. 64H76			ILLINOIS FED. AID PROJECT	