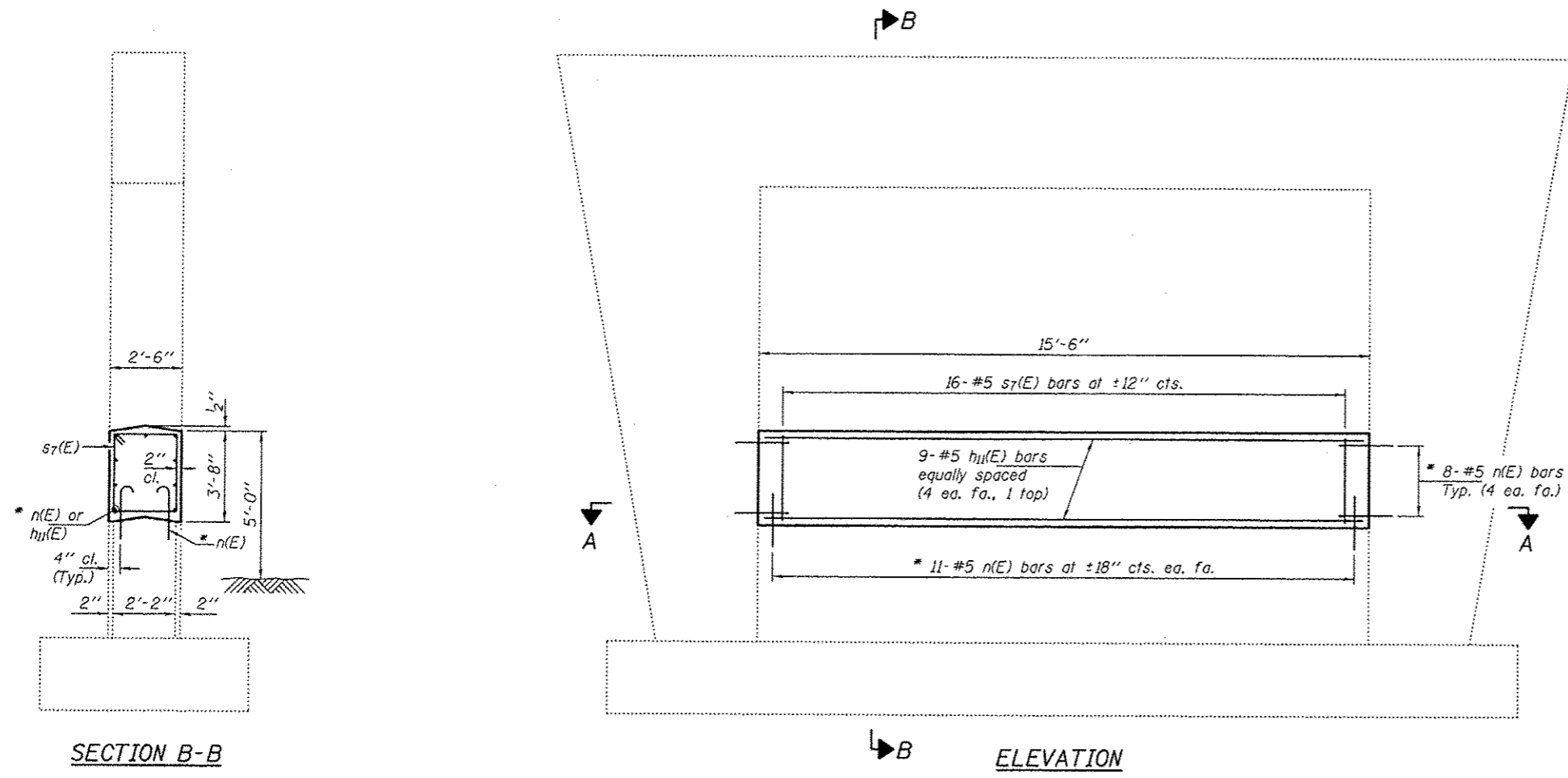
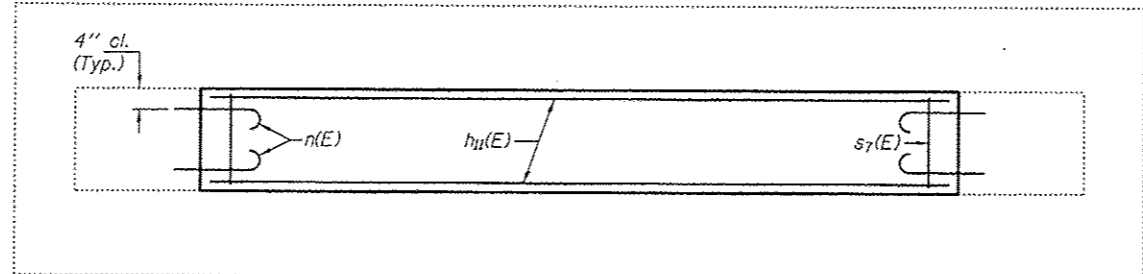
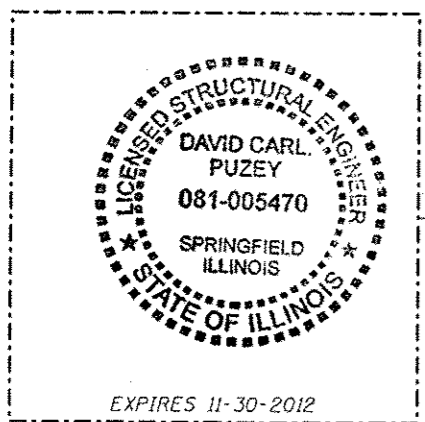
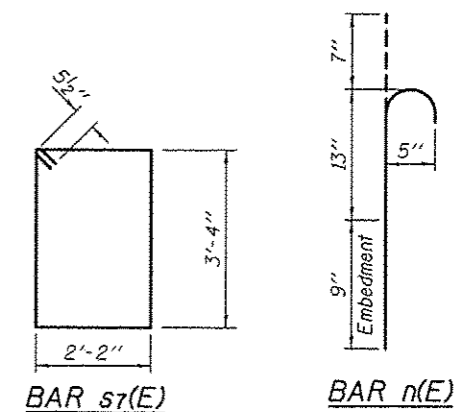


NOTES

The cost of epoxy grouting threaded rods shall be included with Reinforcement Bars, Epoxy Coated.
 Plan dimensions and details relative to existing plans are subject to nominal construction variations. The Contractor shall field verify existing dimensions and details affecting new construction and make necessary approved adjustments prior to construction or ordering of materials. Such variations shall not be cause for additional compensation for a change in scope of the work, however, the Contractor will be paid for the quantity actually furnished at the unit price bid for the work.
 Reinforcement bars designated (E) shall be epoxy coated.



* Epoxy grout n(E) bars in 9" min. holes according to Article 584 of the Standard Specifications.



BILL OF MATERIAL

Bar	No.	Size	Length	Shape
h11(E)	9	#5	15'-2"	—
n(E)	38	#5	2'-5"	⌒
s7(E)	16	#5	11'-11"	□
Concrete Structures			Cu. Yd.	5.3
Reinforcement Bars, Epoxy Coated			Pound	440

DESIGNED <u>DAB</u>	EXAMINED <u>Trudy A. Add</u>	DATE <u>JUNE 5, 2012</u>	STATE OF ILLINOIS DEPARTMENT OF TRANSPORTATION	PIER CRASHWALL EXTENSION 071-0065	F.A.I. RTE. <u>412</u>	SECTION <u>D2 SAFETY 2012-1</u>	COUNTY <u>OGLE</u>	TOTAL SHEETS <u>175</u>	SHEET NO. <u>67</u>
CHECKED <u>ARS</u>	PASSED <u>Carl Puzey</u>	REVISED <u>09/11/2012</u>			SHEET NO. <u>OF</u> SHEETS	CONTRACT NO. <u>64HT6</u>			
DRAWN <u>baliva</u>	ACTING ENGINEER OF BRIDGES AND STRUCTURES	REVISOR	ILLINOIS FED. AID PROJECT						