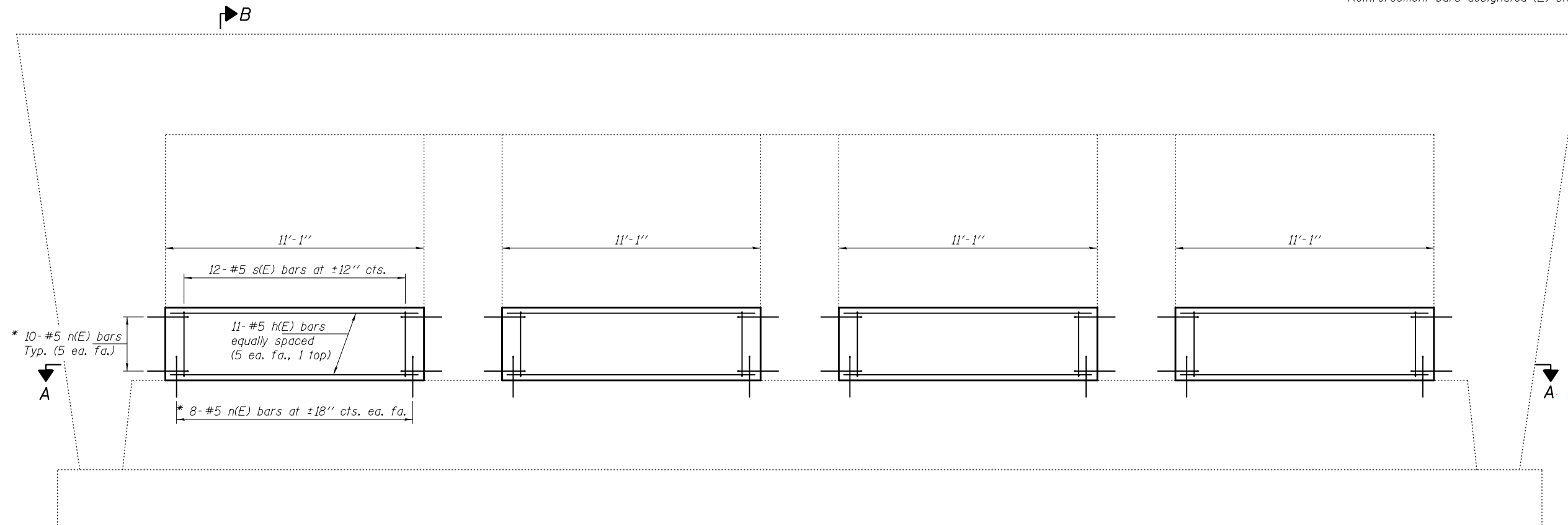
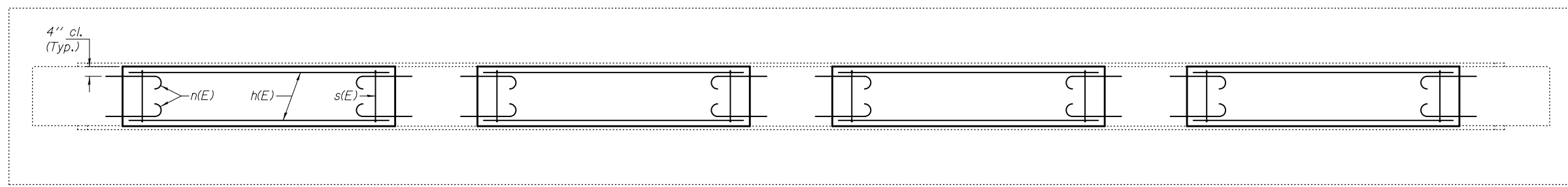


**NOTES**

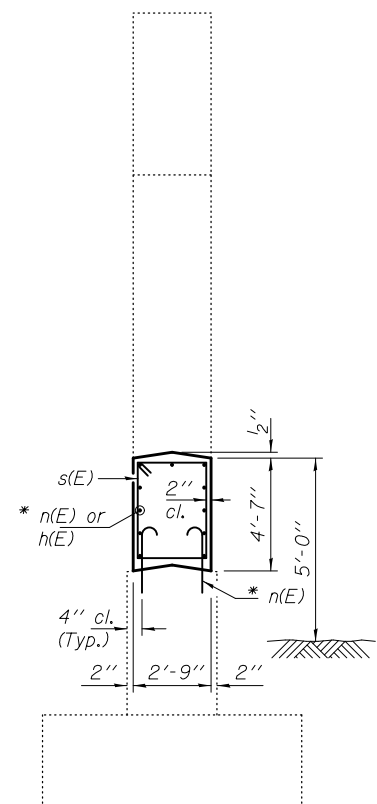
The cost of epoxy grouting threaded rods shall be included with Reinforcement Bars, Epoxy Coated.  
 Plan dimensions and details relative to existing plans are subject to nominal construction variations. The Contractor shall field verify existing dimensions and details affecting new construction and make necessary approved adjustments prior to construction or ordering of materials. Such variations shall not be cause for additional compensation for a change in scope of the work, however, the Contractor will be paid for the quantity actually furnished at the unit price bid for the work.  
 Reinforcement bars designated (E) shall be epoxy coated.



**ELEVATION**

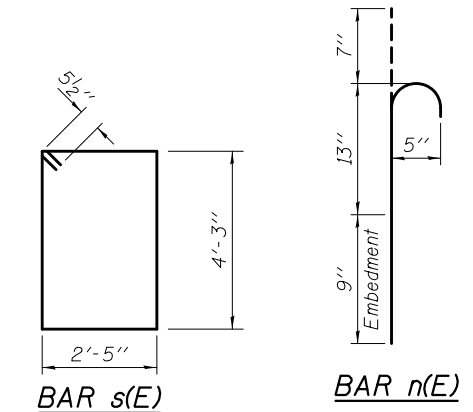


**SECTION A-A**



**SECTION B-B**

\* Epoxy grout n(E) bars in 9" min. holes according to Article 584 of the Standard Specifications.



**BILL OF MATERIAL**

Bar	No.	Size	Length	Shape
h(E)	44	#5	10'-9"	—
n(E)	144	#5	2'-5"	U
s(E)	48	#5	14'-3"	□
Concrete Structures			Cu. Yd.	20.7
Reinforcement Bars, Epoxy Coated			Pound	1570

**PRE-FINAL**

DATE: 6/5/2012

EXPIRES 11-30-2012

DESIGNED <i>DAB</i>	EXAMINED _____	DATE - JUNE 5, 2012
CHECKED <i>ARS</i>	ACTING ENGINEER OF STRUCTURAL SERVICES	
DRAWN <i>baliva</i>	PASSED _____	REVISED _____
CHECKED <i>DAB ARS</i>	ACTING ENGINEER OF BRIDGES AND STRUCTURES	REVISED _____

**STATE OF ILLINOIS  
 DEPARTMENT OF TRANSPORTATION**

**PIER CRASHWALL EXTENSION  
 052-0055**

SHEET NO. OF SHEETS

F.A.I. RTE.	SECTION	COUNTY	TOTAL SHEETS	SHEET NO.
412	D2 SAFETY 2012-1	LEE	175	56
CONTRACT NO. 64H76				

\*FAI 39, FAP 301 (US 20) \*\*LEE, OGLE, WINNEBAGO AND STEPHENSON COUNTIES