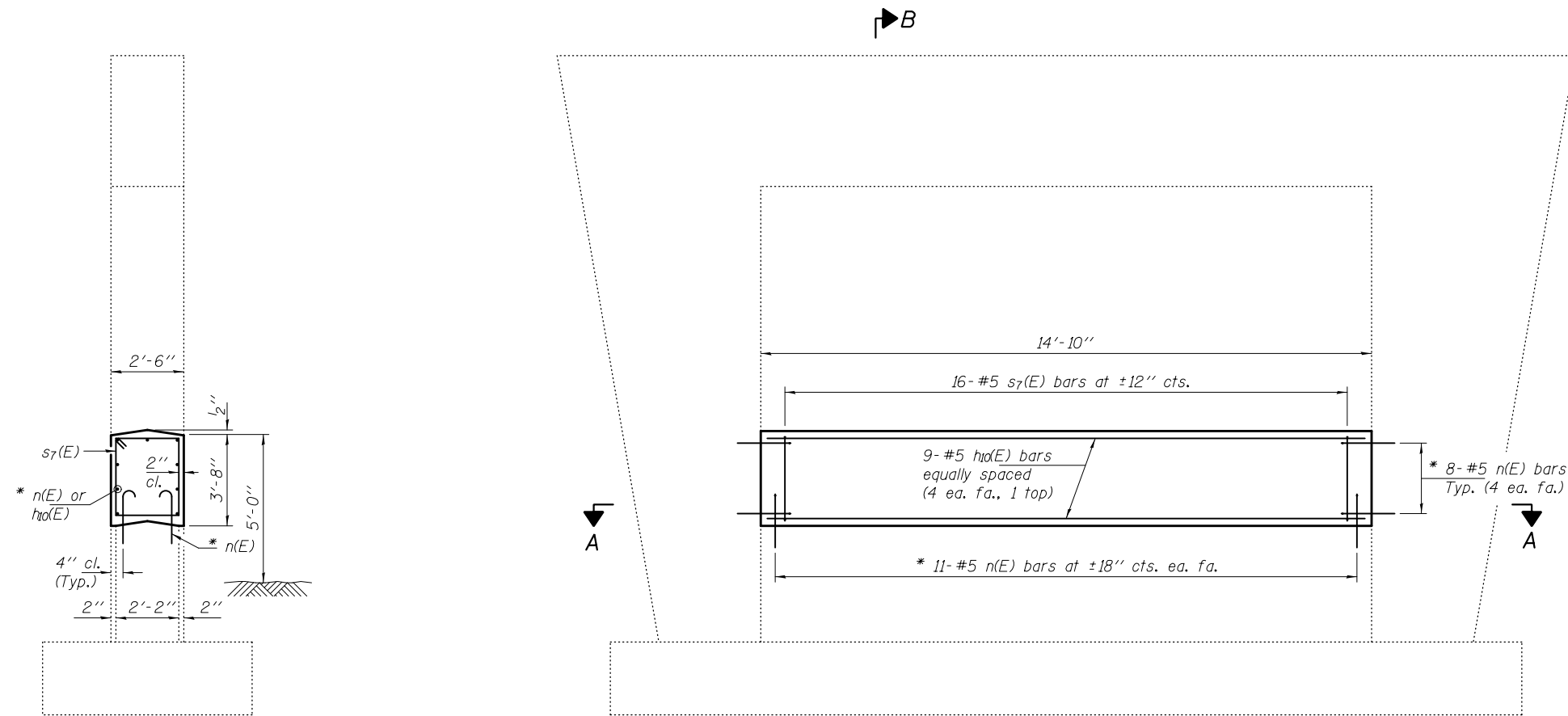


**NOTES**

The cost of epoxy grouting threaded rods shall be included with Reinforcement Bars, Epoxy Coated.  
 Plan dimensions and details relative to existing plans are subject to nominal construction variations. The Contractor shall field verify existing dimensions and details affecting new construction and make necessary approved adjustments prior to construction or ordering of materials. Such variations shall not be cause for additional compensation for a change in scope of the work, however, the Contractor will be paid for the quantity actually furnished at the unit price bid for the work.  
 Reinforcement bars designated (E) shall be epoxy coated.

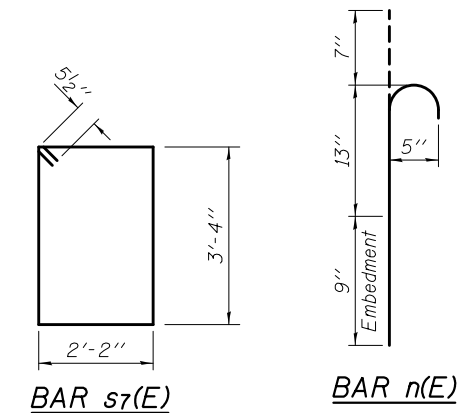


**SECTION B-B**

\* Epoxy grout n(E) bars in 9" min. holes according to Article 584 of the Standard Specifications.

**ELEVATION**

**SECTION A-A**



**BAR s7(E)**

**BAR n(E)**

**BILL OF MATERIAL**

| Bar                              | No. | Size | Length  | Shape |
|----------------------------------|-----|------|---------|-------|
| h10(E)                           | 9   | #5   | 14'-6"  | —     |
| n(E)                             | 38  | #5   | 2'-5"   | U     |
| s7(E)                            | 16  | #5   | 11'-11" | □     |
| Concrete Structures              |     |      | Cu. Yd. | 5.0   |
| Reinforcement Bars, Epoxy Coated |     |      | Pound   | 430   |

**PRE-FINAL**  
 DATE: 6/5/2012  
 EXPIRES 11-30-2012

|                        |   |                            |   |  |   |         |        |              |                           |
|------------------------|---|----------------------------|---|--|---|---------|--------|--------------|---------------------------|
| DESIGNED <i>DAB</i>    | EXAMINED _____                            | DATE - <i>JUNE 5, 2012</i> | <b>STATE OF ILLINOIS<br/>DEPARTMENT OF TRANSPORTATION</b> | <b>PIER CRASHWALL EXTENSION<br/>071-0057</b> | F.A.I. RTE.   | SECTION | COUNTY | TOTAL SHEETS | SHEET NO.                 |
| CHECKED <i>ARS</i>     | ACTING ENGINEER OF STRUCTURAL SERVICES    | REVISED _____              |   |  | D2 SAFETY 2012-1  | OGLE    | 175    | 63           | <b>CONTRACT NO. 64H76</b> |
| DRAWN <i>baliva</i>    | PASSED _____                              | REVISED _____              | SHEET NO. OF SHEETS                                       |  | ILLINOIS FED. AID PROJECT   |         |        |              |                           |
| CHECKED <i>DAB ARS</i> | ACTING ENGINEER OF BRIDGES AND STRUCTURES | REVISED _____              |   |  | *FAI 39, FAP 301 (US 20) **LEE, OGLE, WINNEBAGO AND STEPHENSON COUNTIES |         |        |              |                           |