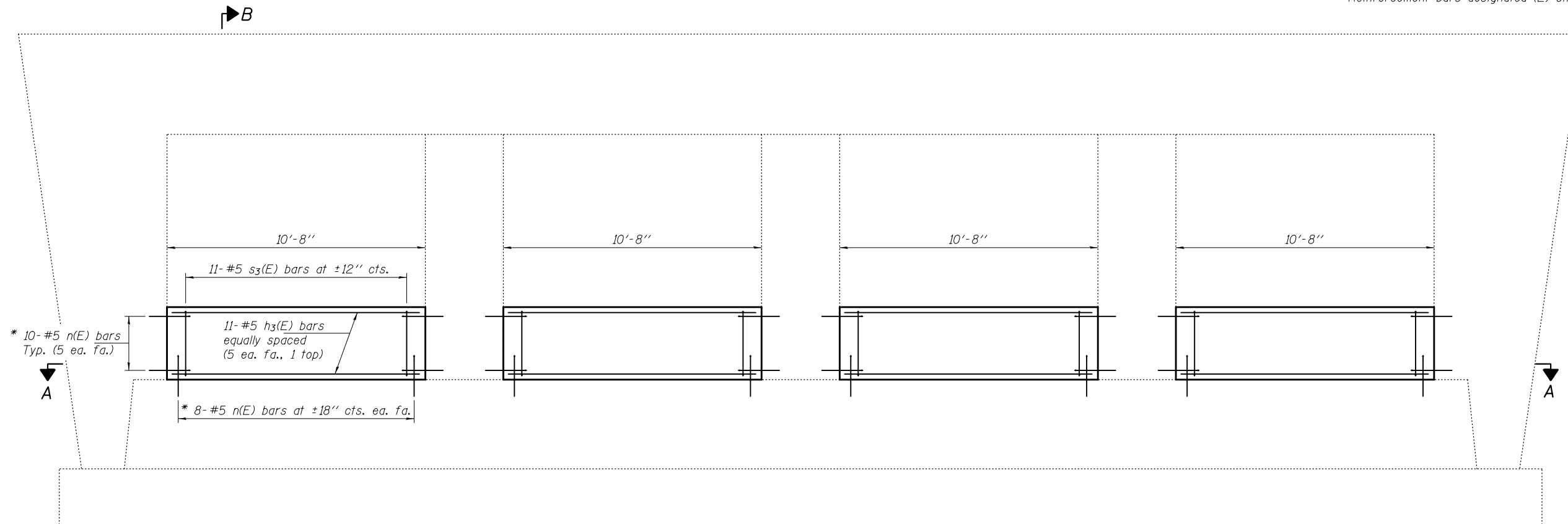
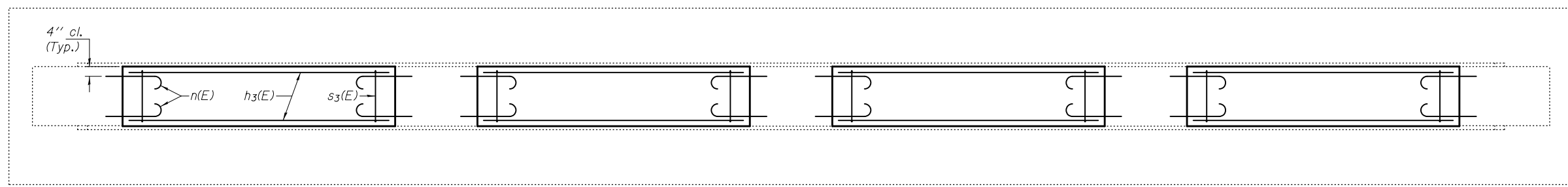


NOTES

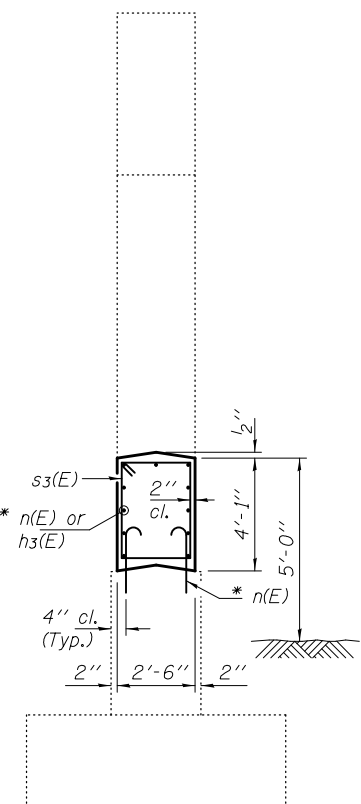
The cost of epoxy grouting threaded rods shall be included with Reinforcement Bars, Epoxy Coated.
 Plan dimensions and details relative to existing plans are subject to nominal construction variations. The Contractor shall field verify existing dimensions and details affecting new construction and make necessary approved adjustments prior to construction or ordering of materials. Such variations shall not be cause for additional compensation for a change in scope of the work, however, the Contractor will be paid for the quantity actually furnished at the unit price bid for the work.
 Reinforcement bars designated (E) shall be epoxy coated.



ELEVATION

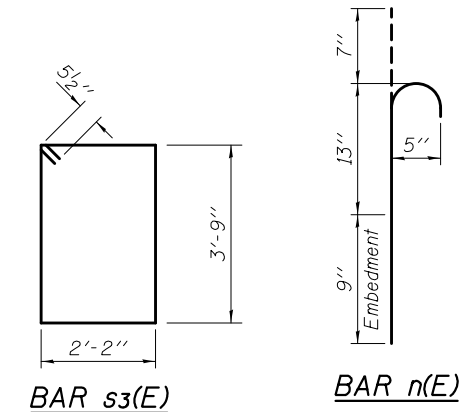


SECTION A-A



SECTION B-B

* Epoxy grout n(E) bars in 9" min. holes according to Article 584 of the Standard Specifications.



BILL OF MATERIAL

Bar	No.	Size	Length	Shape
h3(E)	44	#5	10'-4"	—
n(E)	144	#5	2'-5"	U
s3(E)	44	#5	12'-9"	□
Concrete Structures			Cu. Yd.	16.1
Reinforcement Bars, Epoxy Coated			Pound	1420

PRE-FINAL
 DATE: 6/5/2012
 EXPIRES 11-30-2012

DESIGNED <i>DAB</i>	EXAMINED _____	DATE - <i>JUNE 5, 2012</i>
CHECKED <i>ARS</i>	ACTING ENGINEER OF STRUCTURAL SERVICES	
DRAWN <i>baliva</i>	PASSED _____	REVISED _____
CHECKED <i>DAB ARS</i>	ACTING ENGINEER OF BRIDGES AND STRUCTURES	REVISED _____

**STATE OF ILLINOIS
 DEPARTMENT OF TRANSPORTATION**

**PIER CRASHWALL EXTENSION
 071-0055**

F.A.I. RTE.	SECTION	COUNTY	TOTAL SHEETS	SHEET NO.
412	D2 SAFETY 2012-1	OGLE	175	65
CONTRACT NO. 64H76				

SHEET NO. OF SHEETS