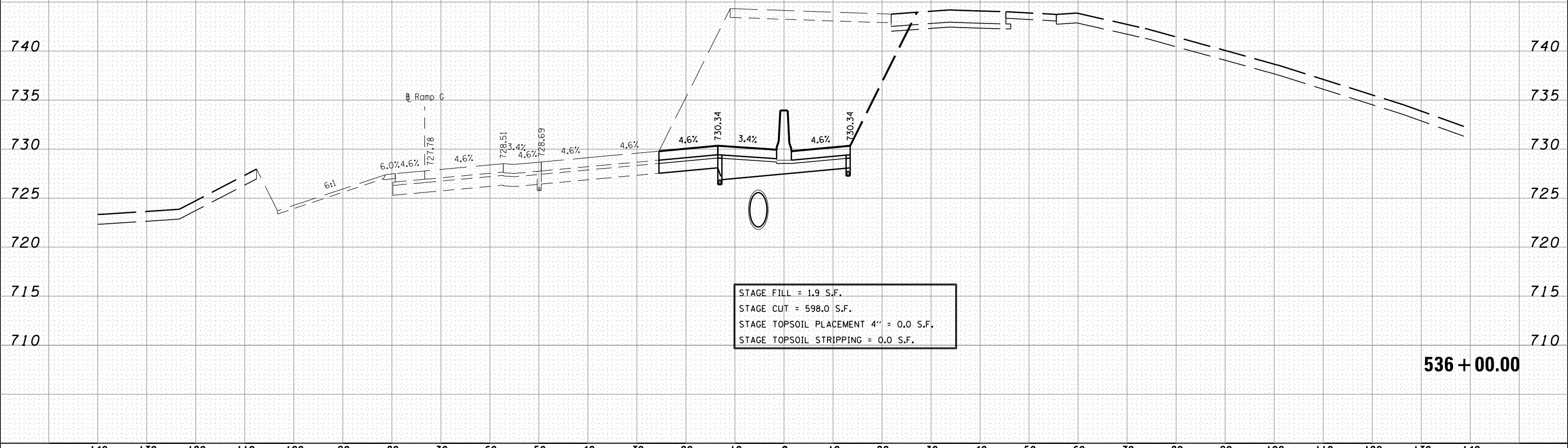


140 130 120 110 100 90 80 70 60 50 40 30 20 10 0 10 20 30 40 50 60 70 80 90 100 110 120 130 140



536 + 00.00

MODEL: \\NAME:XS-SHEET...temporaru\_model\_name.10  
 DESIGN: \\FILE: \\X:\100905\10095\Engineering\Documents\Phase II\MOI\0468620-XSECT-I-74-WMATCHES.Stage10.dgn

FILE NAME =	DESIGNED -	REVISED -
...\\D468620-XSECT-I-74-WMATCHES.Stage10.dgn	DRAWN -	REVISED -
USER NAME = tblank	CHECKED -	REVISED -
PLOT DATE = 7/20/2012	DATE - JULY 20, 2012	REVISED -



STATE OF ILLINOIS  
DEPARTMENT OF TRANSPORTATION

MAINTENANCE OF TRAFFIC - STAGE 10  
CROSS SECTIONS - I-74  
SCALE: H 1"=10', V 1"=5' SHEET NO. 10 OF 25 SHEETS STA. 536+00.00 TO STA. 536+00.00

F.A.I. RTE.	SECTION	COUNTY	TOTAL SHEETS	SHEET NO.
90	I14R(I14HB-4,14,14HVB)BRJ	TAZEWELL	2433	1004
			CONTRACT NO. 68620	
ILLINOIS FED. AID PROJECT				