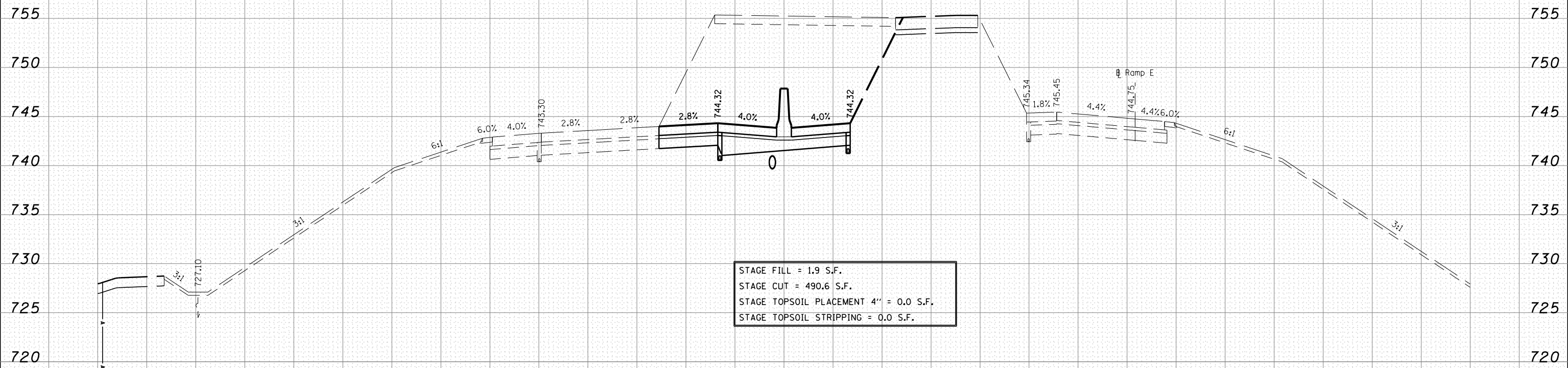


140 130 120 110 100 90 80 70 60 50 40 30 20 10 0 10 20 30 40 50 60 70 80 90 100 110 120 130 140



STAGE FILL = 1.9 S.F.
 STAGE CUT = 490.6 S.F.
 STAGE TOPSOIL PLACEMENT 4" = 0.0 S.F.
 STAGE TOPSOIL STRIPPING = 0.0 S.F.

549 + 00.00

MODEL NAME: XS_SHEET_temporary_model_name_20
 DESIGN FILE: \\10000510005\Engineering\Documents_Phase II\MOI\0468620-XSECT-I-74-WMATCHES-Stage10.dgn

| | | |
|--|----------------------|-----------|
| FILE NAME = | DESIGNED - | REVISED - |
| ...\\D468620-XSECT-I-74-WMATCHES-Stage10.dgn | DRAWN - | REVISED - |
| USER NAME = tblank | CHECKED - | REVISED - |
| PLOT DATE = 7/20/2012 | DATE - JULY 20, 2012 | REVISED - |



STATE OF ILLINOIS
 DEPARTMENT OF TRANSPORTATION

MAINTENANCE OF TRAFFIC - STAGE 10
 CROSS SECTIONS - I-74
 SCALE: H 1"=10', V 1"=5' SHEET NO. 20 OF 25 SHEETS STA. 549+00.00 TO STA. 549+00.00

| F.A.I. RTE. | SECTION | COUNTY | TOTAL SHEETS | SHEET NO. |
|---------------------------|-------------------------|----------|--------------------|-----------|
| 90 | I14R(14HB-4,14,14HVB)BR | TAZEWELL | 2433 | 1014 |
| | | | CONTRACT NO. 68620 | |
| ILLINOIS FED. AID PROJECT | | | | |