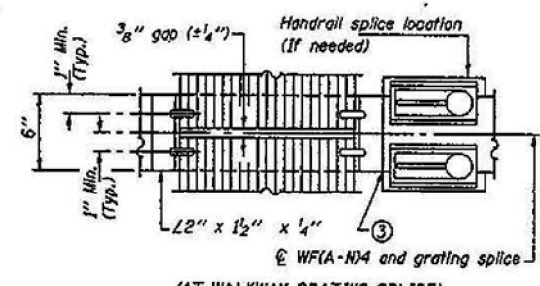
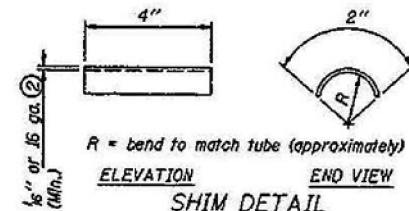
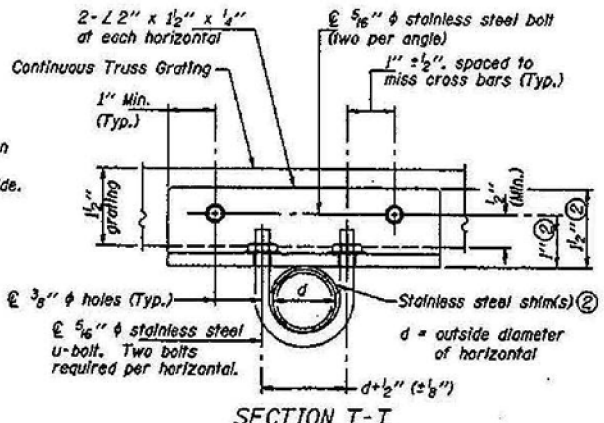
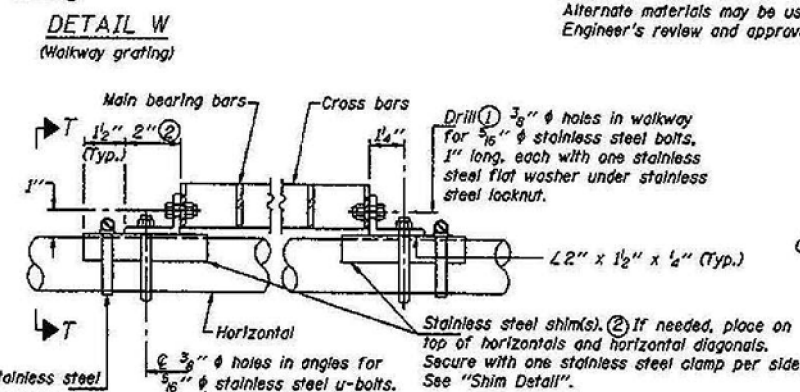
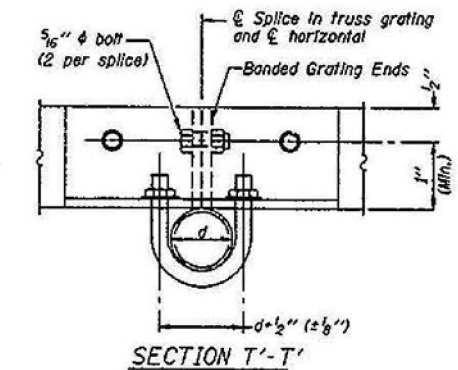
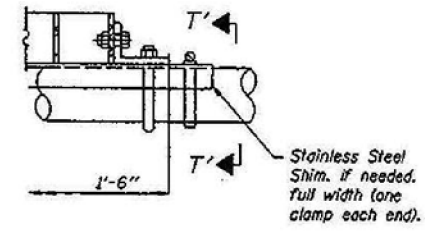
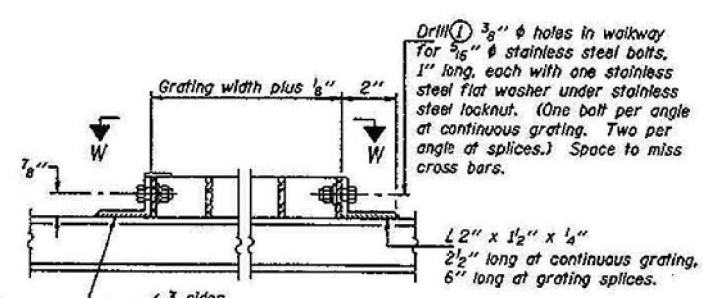
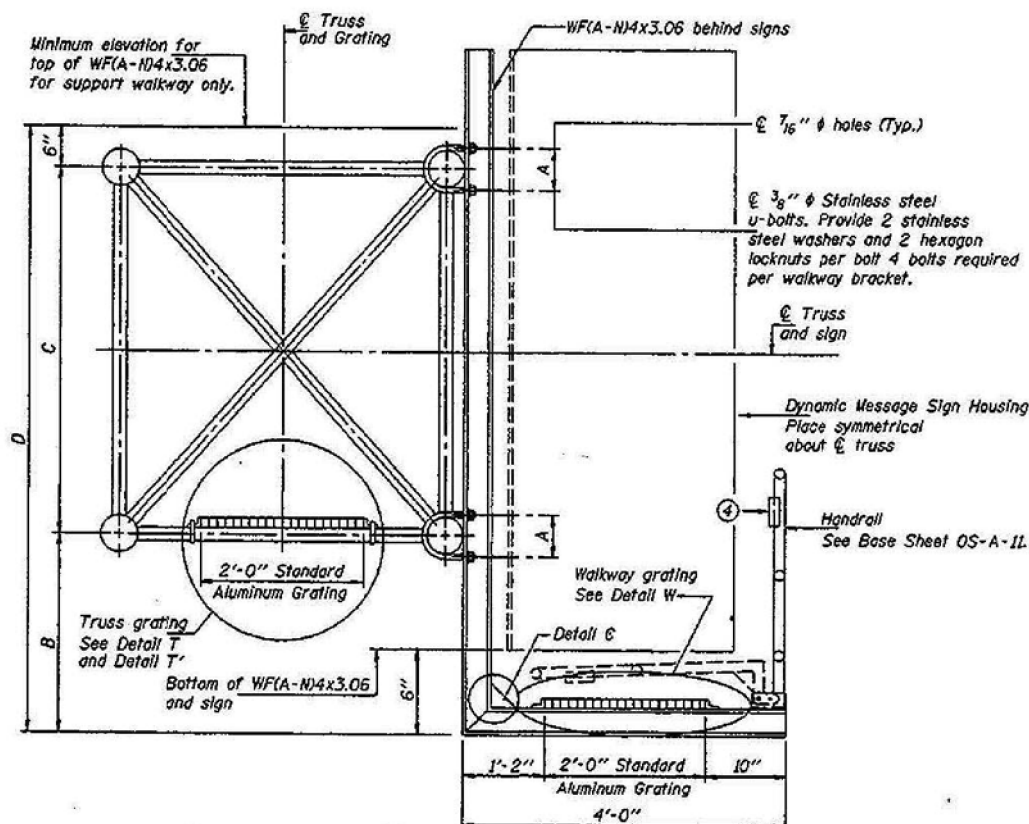


FOR INFORMATION ONLY

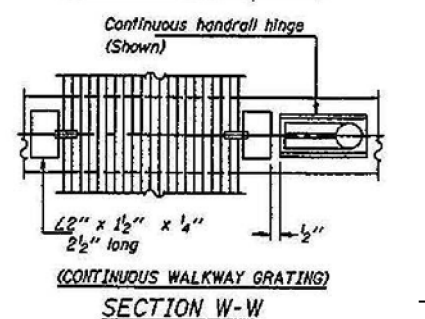
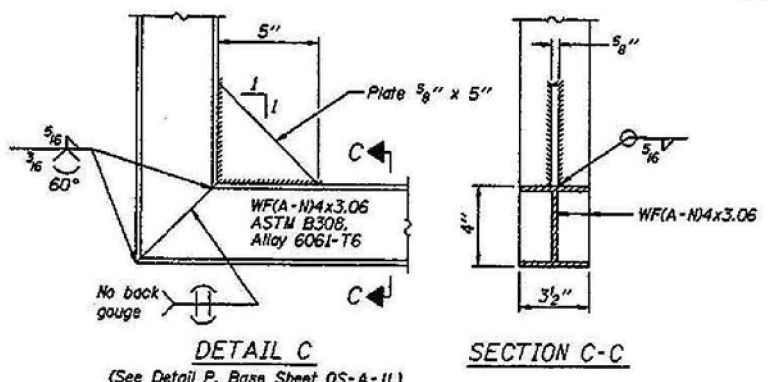


SPECIFICATIONS FOR STANDARD ALUMINUM GRATING

Main Bearing Bars shall be 3/8" x 1 1/2" on 1 3/8" centers and conform to ASTM B211 Alloy 6061-T6.
Cross bars shall be 3/8" x 1 1/2" on 4" centers and conform to ASTM B211 Alloy 6063-T5 or 6061-T6.

OR

Aluminum Grating with modified "M" sections for main bearing bars shall meet the following requirements:
Main bars shall conform to ASTM B211 Alloy 6061-T6 and have a minimum section modulus equal to 0.0705 in.³ per bar, a depth of 1 1/2", spaced on 1 3/8" centers.
Cross bars shall conform to ASTM B211 Alloy 6063-T5 or T-42 and spaced on 4" centers.



Structure Number	Station	A	B	C	D
450901074R101.3	495+00	7 3/8"	12"	7'-0"	8'-6"
430721074L063.5	168+25	7 3/8"	12"	7'-0"	8'-8"

DESIGNED	TCG
CHECKED	AJN
DRAWN	ABW
CHECKED	TCG

OS-A-10-DMS 7/1/2001

NUMBER	REVISION	DATE

ITS SHEET 34 OF 98

**OVERHEAD SIGN STRUCTURES
ALUMINUM WALKWAY DETAILS**

ILLINOIS DEPARTMENT OF TRANSPORTATION
F.A.I. 74
D4 I-74 ITS SYSTEM-1
PEORIA & TAZEWELL COUNTIES

10/14/02

EDWARDS AND KELCEY