

**CONDUIT EXPANSION/
DEFLECTION COUPLING DETAIL**

GENERAL NOTES

The Contractor shall install a conduit expansion/deflection coupling at the joints in the concrete parapet on the bridge capable of accepting the longitudinal movement. All metallic parts of the coupling shall be made of stainless steel or as approved by the Engineer. Any non-stainless metal shall be hot dip galvanized and coated to prevent reaction with the concrete. The cost of the coupling shall be part of and incidental to the conduit system.

The barrel in the expansion fitting shall be fully embedded in the concrete on one side of the expansion joint. One half the length of the deflection fitting shall be embedded in the concrete on the other side of the coupling.

A cavity opening 3" larger in diameter than the deflection fitting shall be provided in the concrete to ensure proper performance of the coupling.

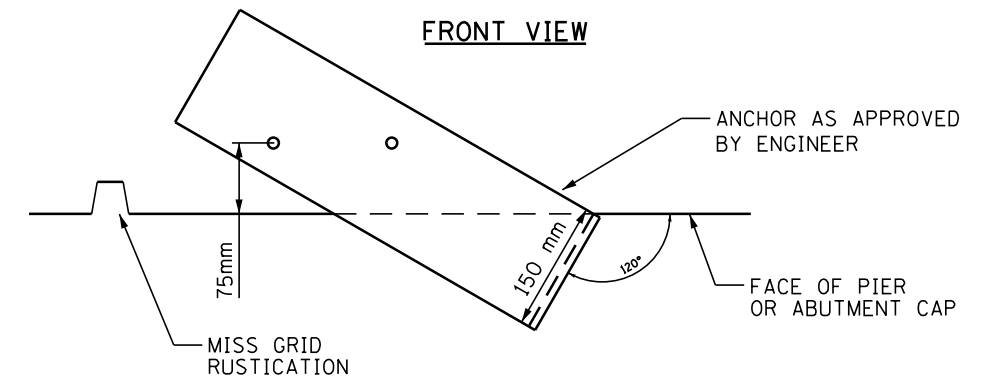
Careful attention to joint movement over a range of temperatures shall be coordinated with the selection and installation of the coupling to ensure the range of movement of the coupling is not exceeded at temperature extremes.

All manufacturer's installation instructions shall be carefully followed to ensure optimum performance of the expansion/deflection coupling.

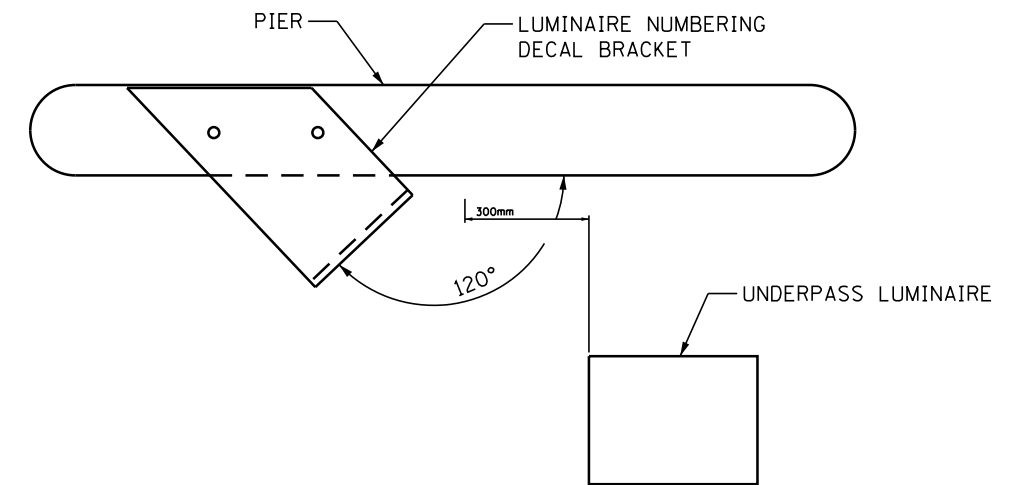
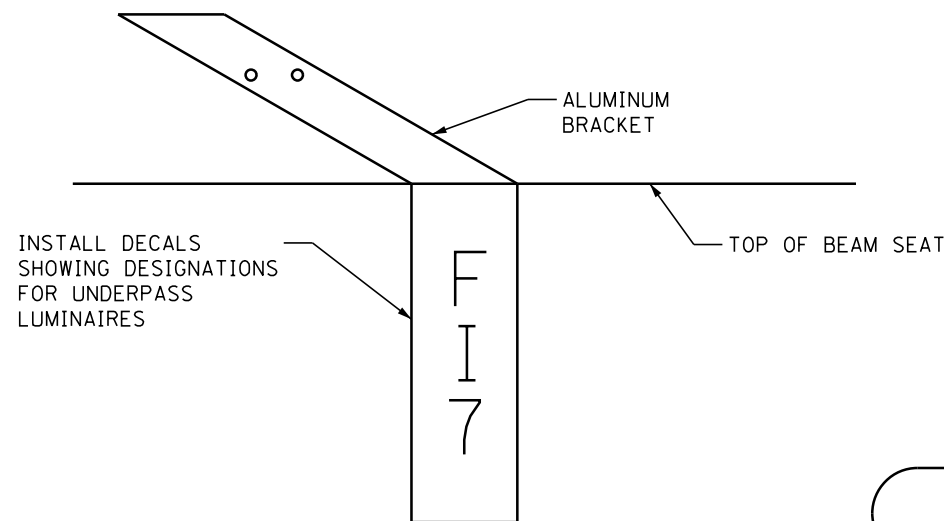
The Contractor shall install couplings at all bridge expansion joints and shall be responsible to determine the proper number of couplings required.

With the approval of the Engineer, the Contractor may substitute two (2) stainless steel junction boxes attached to the back of the wall and connected by a high grade of flexible non-metallic conduit for all expansion joints. This substitution shall be made at no cost to the Department.

All dimensions are in millimeters (inches) unless otherwise shown.



**UNDERPASS LUMINAIRE
NUMBERING BRACKET DETAIL**



**UNDERPASS LUMINAIRE NUMBERING
BRACKET INSTALLATION DETAIL**

FILE NAME =	DESIGNED -	REVISED -		STATE OF ILLINOIS DEPARTMENT OF TRANSPORTATION	LIGHTING DETAILS UNDERDECK LIGHTING		F.A.I. RTE.	SECTION	COUNTY	TOTAL SHEETS	SHEET NO.
... \D468620-sh1-Lighting_Details-Underdeck02	DRAWN -	REVISED -					90-[14Rz(14HB-4,14,14HVB)BR]	TAZEWELL	2433	1824	
USER NAME = tblank	CHECKED -	REVISED -					CONTRACT NO. 68620				
PLOT DATE = 9/5/2012	DATE - JULY 20, 2012	REVISED -					ILLINOIS FED. AID PROJECT				
SCALE:					SHEET NO. 109 OF 138 SHEETS	STA.	TO STA.				