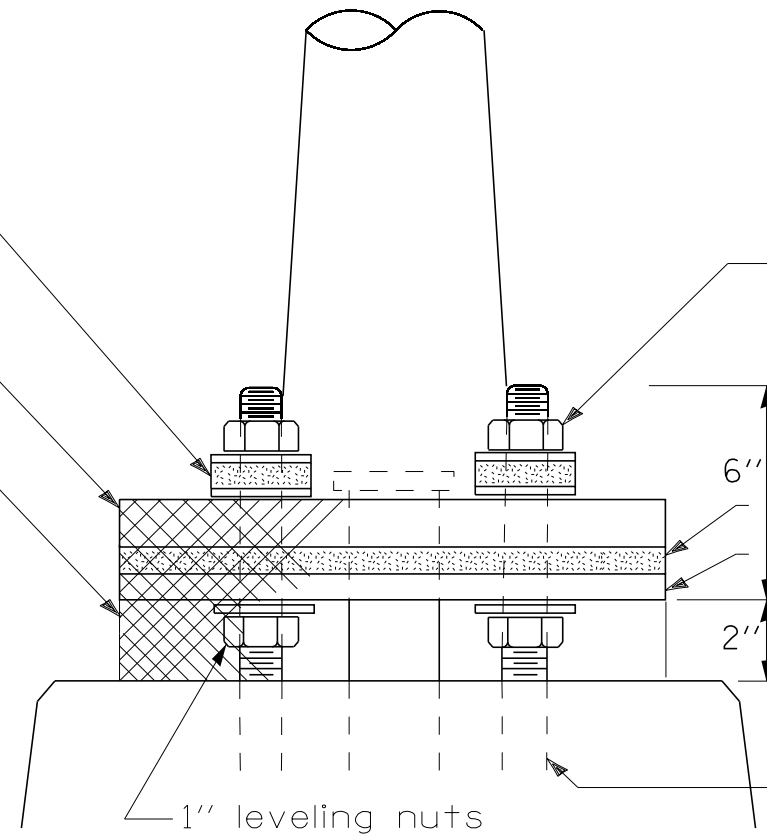


2 1/2" O.D. x 1/4" galvanized steel flat washer either side of 2 1/2" O.D. x 1/2" isolation washer. See notes 3 and 5.

Pole base plate

Stainless steel standard grade wire cloth or perforated aluminum, 6x6 (1/4") mesh or less with #16 gauge (0.062") diameter or heavier wire.

Attach with 1/2" stainless steel banding or tie back on itself with stainless steel wire ties. Finished installation must prevent rodent entry.



1" self-locking nut or double nut. Install with torque wrench and torque to the isolation pad manufacturer's specifications.

1/2" min. isolation pad - see note 3.

1/2" min. galvanized steel leveling plate. Size to match pole base plate - see note 3.

1" high strength anchor bolts in bridge parapet.

Pole Mounted on Bridge Parapet Detail

GENERAL NOTES

1. Locate poles over bridge piers where possible.
2. The vibration isolation pad and leveling plate shall match the footprint of the pole base plate.
3. Thickness of isolation pad and washers shall be according to the isolation pad manufacturer's recommendations based upon pole height and loading.
4. Should the length of the exposed anchor bolts be too short on an existing bridge to mount the poles as shown, then the leveling plate shall be mounted directly on the concrete and leveled with stainless steel washers. Remove concrete as directed by the Engineer to fully thread the top nut.
5. The diameter of the flat washer on either side of the isolation washer shall be at least the same as the diameter of the isolation washer.

FILE NAME =	DESIGNED -	REVISED -	 STATE OF ILLINOIS DEPARTMENT OF TRANSPORTATION	LIGHTING DETAILS		F.A.I. RTE.	SECTION	COUNTY	TOTAL SHEETS	SHEET NO.
... \D468620-shit-Lighting-Details_PoleMounted	DRAWN -	REVISED -		LIGHT POLE ON BRIDGE PARAPET		• 90-[14R;(14HB-4,14,14HVB)BR]	TAZEWELL	2433	1826	
USER NAME = tblank	CHECKED -	REVISED -				CONTRACT NO. 68620				
PLOT DATE = 9/5/2012	DATE - JULY 20, 2012	REVISED -				SCALE:	SHEET NO. 111 OF 138 SHEETS	STA.	TO STA.	ILLINOIS FED. AID PROJECT