

Bench Mark: Chiseled "□" on S.W. parapet of E.B.L. I-74 bridge over U.S. Route 150 (S.N. 090-0018), Elevation 749.62.

Existing Structures: S.N. 090-0017 (WB) and S.N. 090-0018 (EB). Built in 1961 as F.A.I. Route 74 over U.S. 150 & I.T.R.R., Section 90-14-HVB. Structures consist of dual 5 span WF superstructures, continuous from the West Abutment to Pier 4 and simple between Pier 4 and East Abutment. Substructures are reinforced concrete frame piers on piles and pile bent abutments. The existing total bridge lengths are 312'-2 1/4" (WB) and 313'-1 3/4" (EB) back to back of abutments measured along the profile grade lines. The superstructure widths are 36'-0" out-to-out measured radially. The contractor shall overlay the existing bridge decks. I-74 traffic to be maintained with one lane in each direction utilizing stage construction.

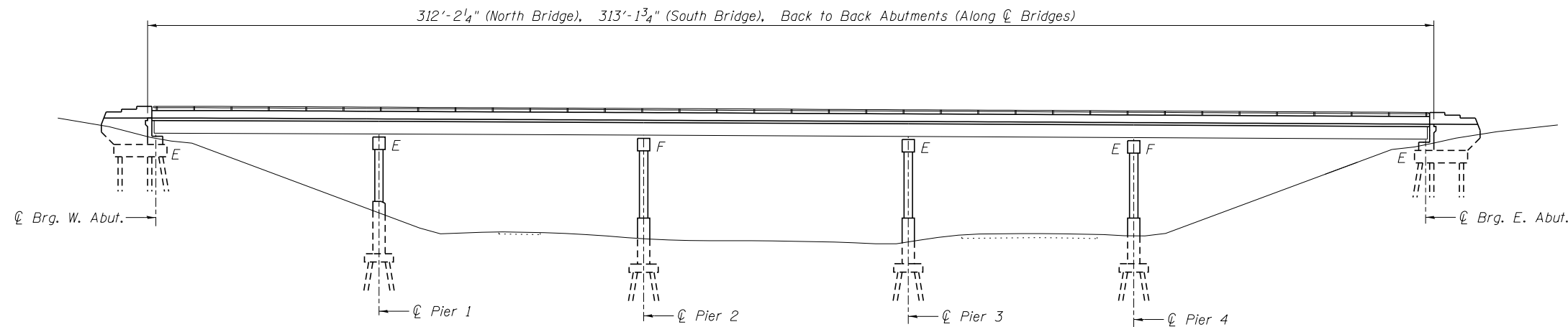
No salvage.

INDEX OF SHEETS

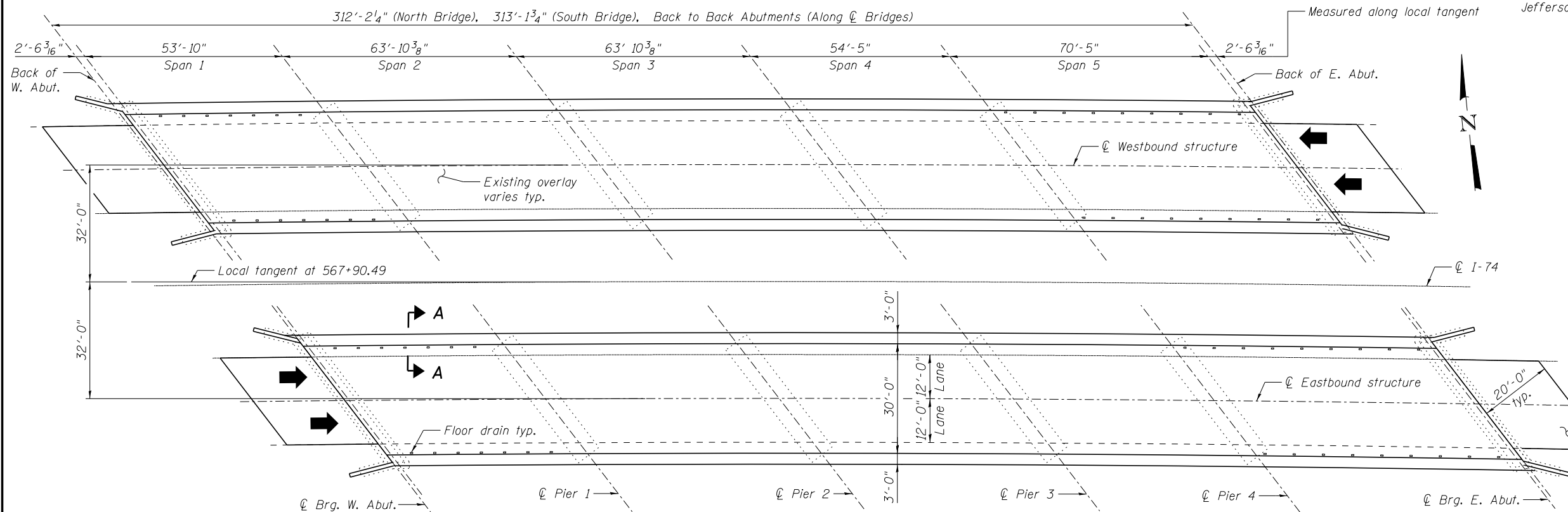
SG1 General Plan and Elevation
SG2 Bridge Deck and Approach Slab Repairs

SCOPE OF WORK

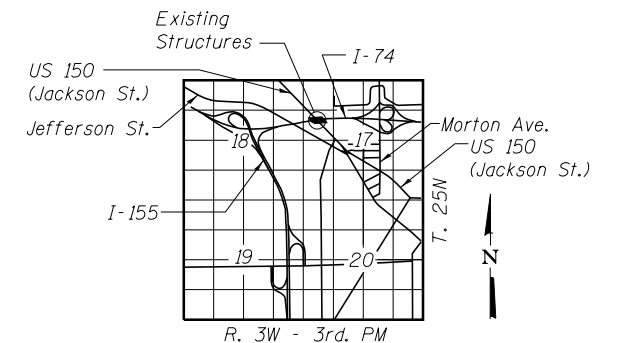
1. Power brush bridge deck surface
2. Clean bridge deck drains
3. Place new 1 1/2" overlay



ELEVATION



PLAN



LOCATION SKETCH

**GENERAL PLAN AND ELEVATION
I-74 OVER JACKSON
F.A.I. RTE. 74
SEC. 90-[14R;(14HB-4,14,14HVB)BR]
TAZEWELL COUNTY
STATION 568+65.40
STRUCTURE NO. 090-0017 (WB)
STRUCTURE NO. 090-0018 (EB)**

benesch
engineers · scientists · planners
Alfred Benesch & Company
205 North Michigan Avenue, Suite 2400
Chicago, Illinois 60601
312-565-0450 Job No. 10056

FILE NAME = 0900017.68620.01.gpe.dgn
PLOT SCALE =
PLOT DATE = 7/16/2012

USER NAME = mbecker	DESIGNED - DMS	REVISED -
	CHECKED - MRB	REVISED -
	DRAWN - PRT	REVISED -
	CHECKED - MRB	REVISED -

**STATE OF ILLINOIS
DEPARTMENT OF TRANSPORTATION**

**GENERAL PLAN AND ELEVATION
EXISTING STRUCTURE NO. 090-0017 / 0018**

SHEET NO. SG1 OF SG2 SHEETS

F.A.I. RTE.	SECTION	COUNTY	TOTAL SHEETS	SHEET NO.
74	90-[14R;(14HB-4,14,14HVB)BR]	TAZEWELL	2433	1863
			CONTRACT NO. 68620	
ILLINOIS FED. AID PROJECT				

x:\100000s\10056\engineer\ing-documents\phase-1\174overJackson\Final\0900017.68620.01.gpe.dgn 8:13:05 AM 7/16/2012