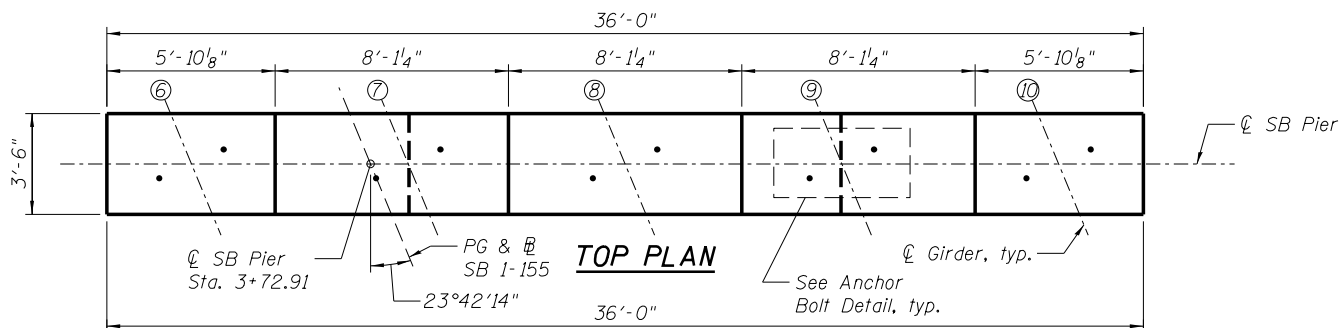
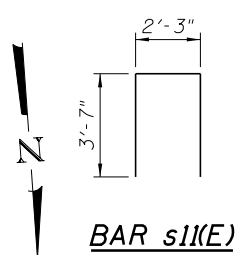


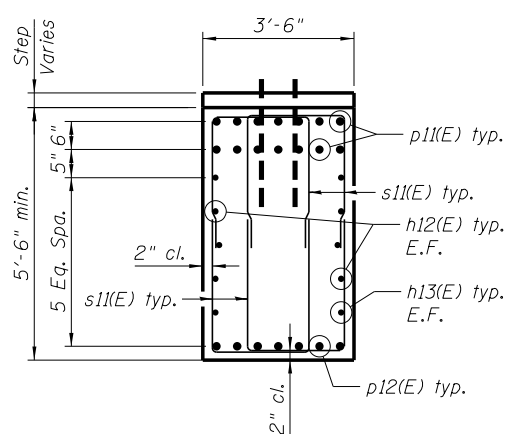
ANCHOR BOLT DETAIL



TOP PLAN

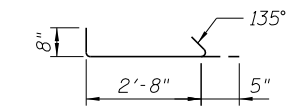


BAR s11(E)



SECTION A-A

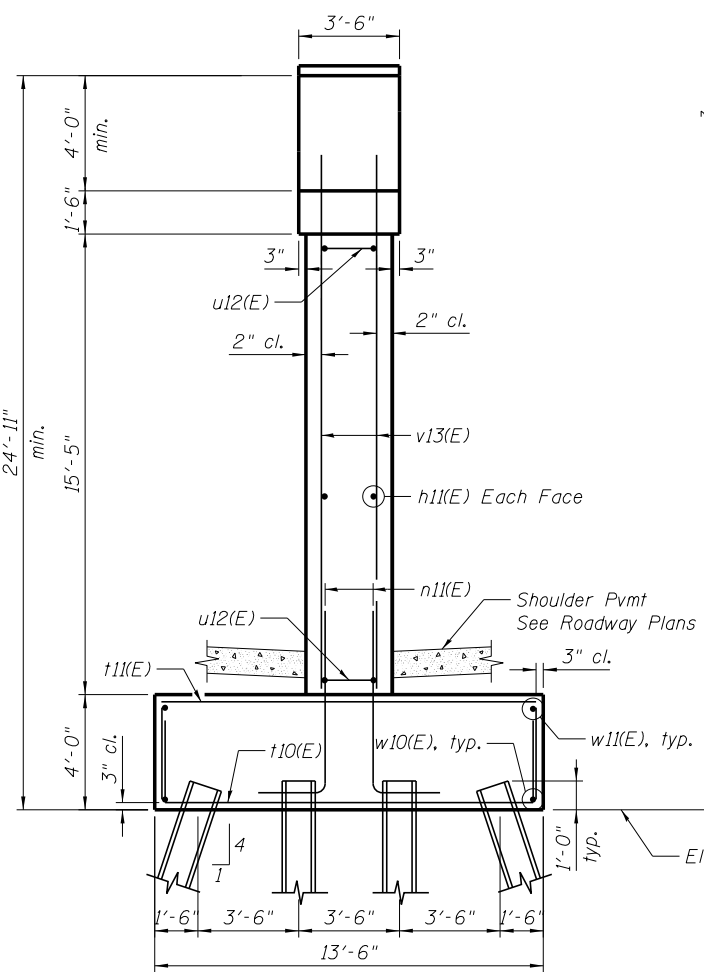
(Stem reinforcement and h14(E) bars not shown for clarity)



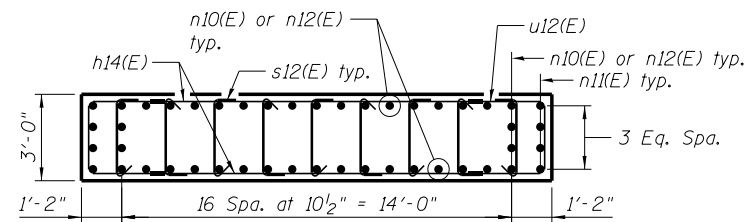
BAR s12(E)

BILL OF MATERIAL

Bar	No.	Size	Length	Shape
h11(E)	26	#5	15'-0"	
h12(E)	8	#6	35'-8"	
h13(E)	2	#6	25'-2"	
h14(E)	34	#5	8'-2"	
n10(E)	20	#11	13'-7"	
n11(E)	8	#6	7'-11"	
n12(E)	18	#11	15'-7"	
p11(E)	14	#11	35'-8"	
p12(E)	14	#11	24'-7"	
s11(E)	324	#5	9'-5"	
s12(E)	279	#4	3'-9"	
t10(E)	28	#10	20'-0"	
t11(E)	25	#7	13'-1"	
u11(E)	12	#6	10'-8"	
u12(E)	34	#5	10'-6"	
u13(E)	26	#5	12'-2"	
v11(E)	20	#11	12'-0"	
v13(E)	8	#6	19'-1"	
v14(E)	18	#11	10'-0"	
w10(E)	14	#10	30'-6"	
w11(E)	14	#7	23'-7"	
Structure Excavation		Cu. Yd.	186	
Concrete Structures		Cu. Yd.	100.3	
Reinforcement Bars, Epoxy Coated		Pound	19,710	
Furnishing Steel Piles HP14X89		Foot	1,971	
Driving Piles		Foot	1,971	
Test Pile Steel HP14X89		Each	1	



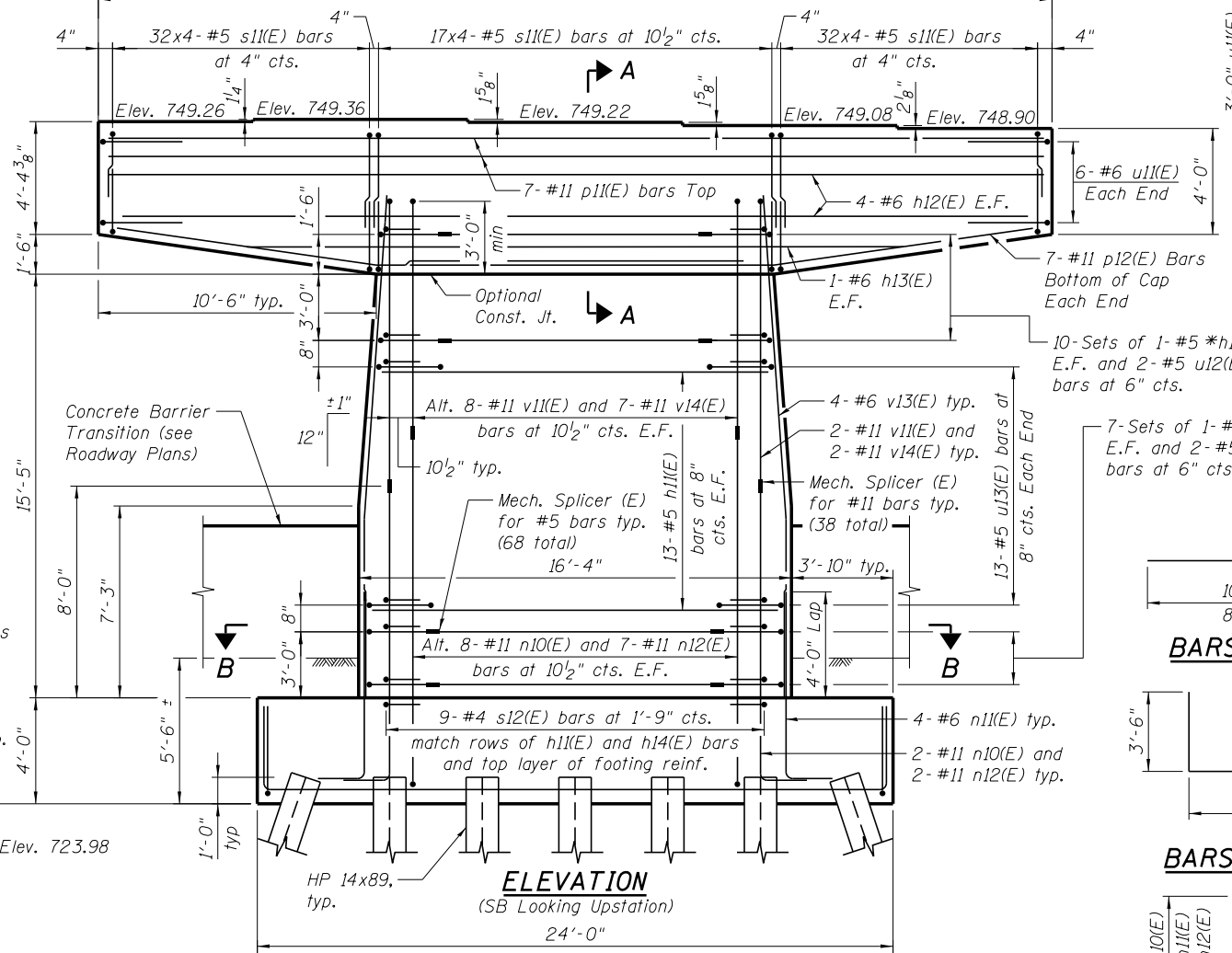
END VIEW



SECTION B-B

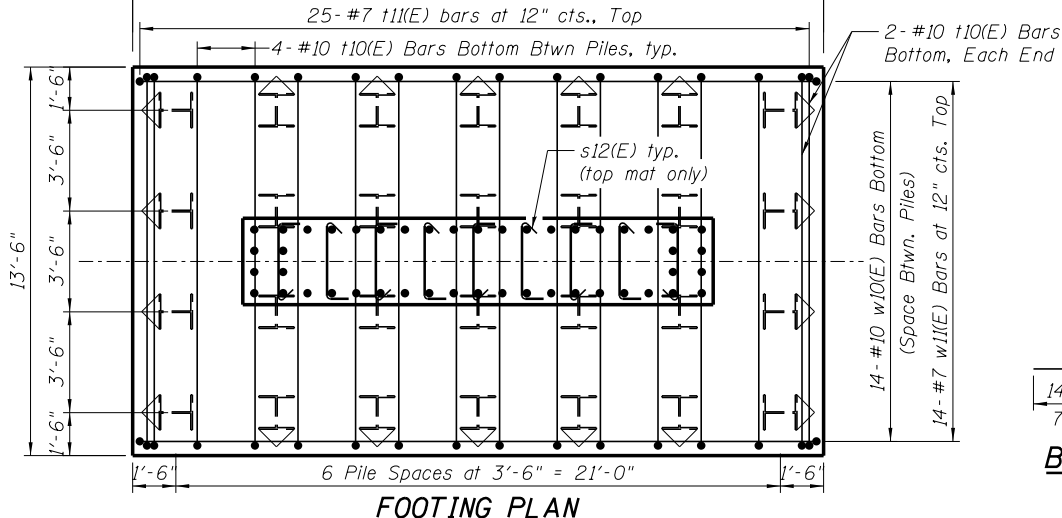
PILE DATA

Type: HP14x89
 Nominal Required Bearing 344 kips
 Factored Resistance Available: 189 kips
 Est. Length: 73 ft.
 No. Production Piles: 27
 No. Test Piles: 1



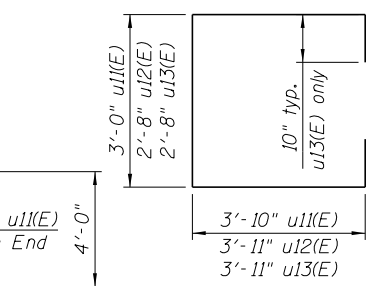
ELEVATION

(SB Looking Upstation)

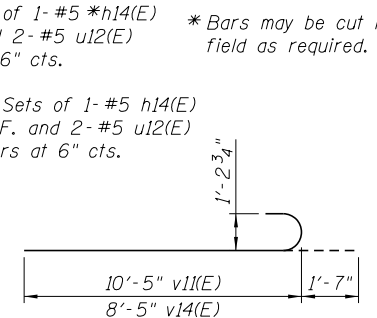


FOOTING PLAN

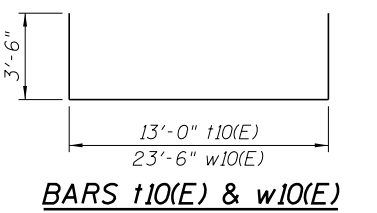
(Showing Bottom Reinforcing)



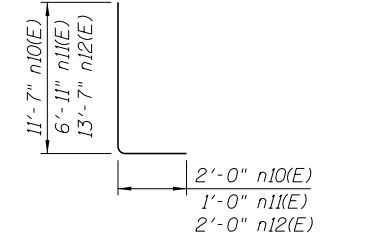
BARS u11(E), u12(E) & u13(E)



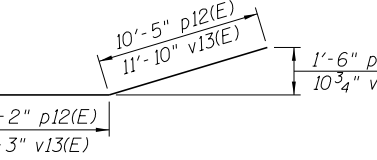
BARS v11(E) & v14(E)



BARS t10(E) & w10(E)



BARS n10(E), n11(E) & n12(E)



BARS p12(E) & v13(E)

STATE OF ILLINOIS
 DEPARTMENT OF TRANSPORTATION

SB PIER DETAILS
 STRUCTURE NO. 090-0165 / 0166

SHEET NO. SA29 OF SA47 SHEETS

NOTES:

1. Space reinforcement in cap to miss anchor bolts.
2. Pour steps monolithically with cap.

benesch
 engineers · scientists · planners
 Alfred Benesch & Company
 205 North Michigan Avenue, Suite 2400
 Chicago, Illinois 60601
 312-565-0450 Job No. 10056

FILE NAME =	USER NAME = mbecker	DESIGNED - JLS	REVISED -
0900165.68620.29.pier2.dgn		CHECKED - AMB	REVISED -
	PLOT SCALE =	DRAWN - CBS	REVISED -
	PLOT DATE = 7/16/2012	CHECKED - MRB	REVISED -

F.A.I. RT.E.	SECTION	COUNTY	TOTAL SHEETS	SHEET NO.
74	90-[14R]14HB-4,14,14HB[BR]	TAZEWELL	2433	1893
			CONTRACT NO. 68620	
ILLINOIS FED. AID PROJECT				

10:53:29 AM x:\10000s\10056\engineer\ing-documents\phase-1\155over-174\final\0900165-68620-29.pier2.dgn 7/16/2012