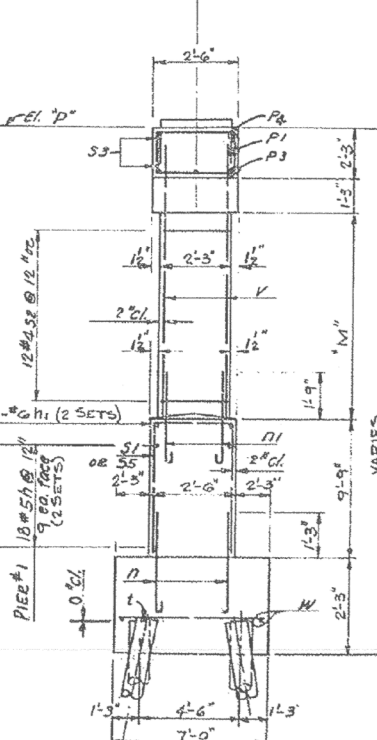
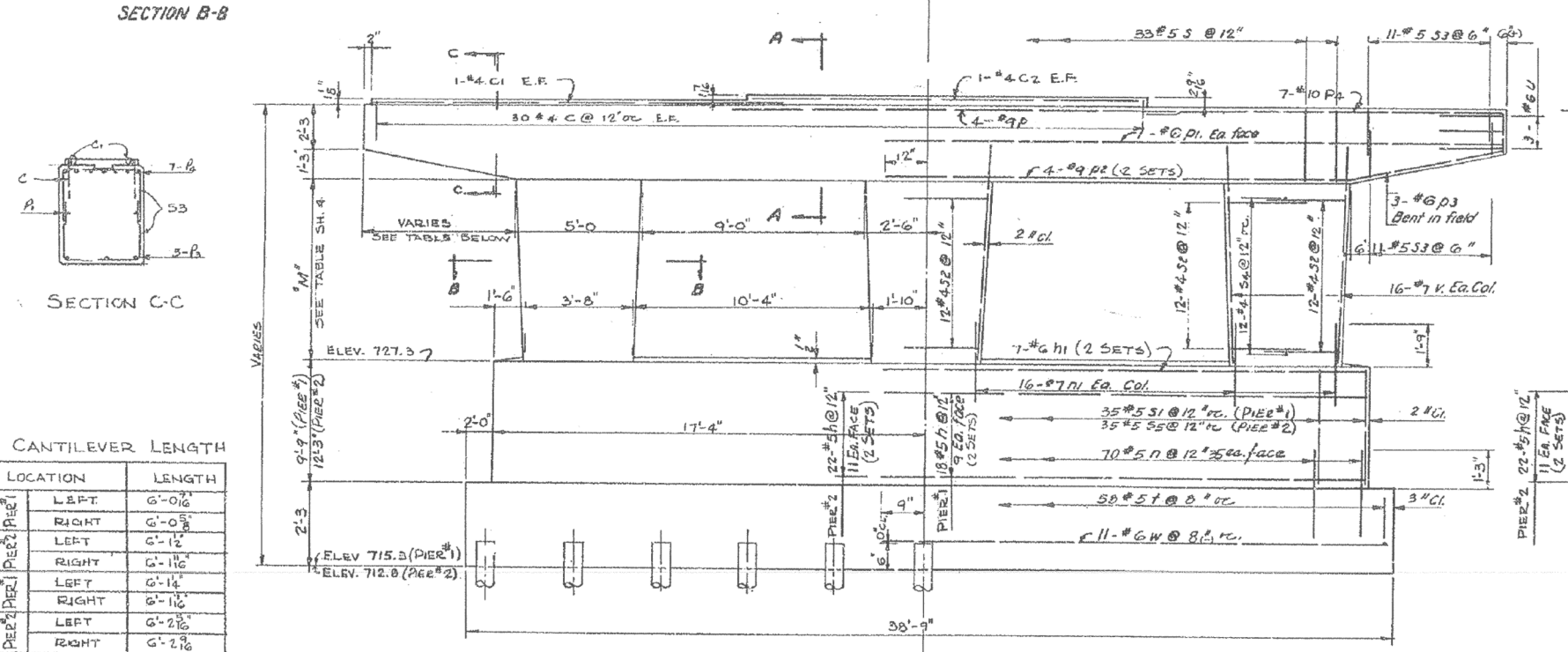
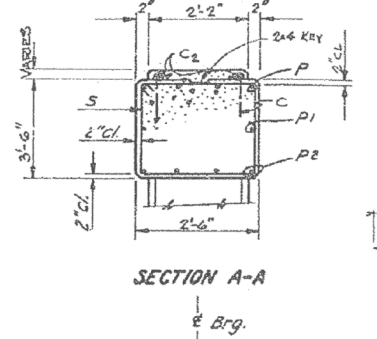
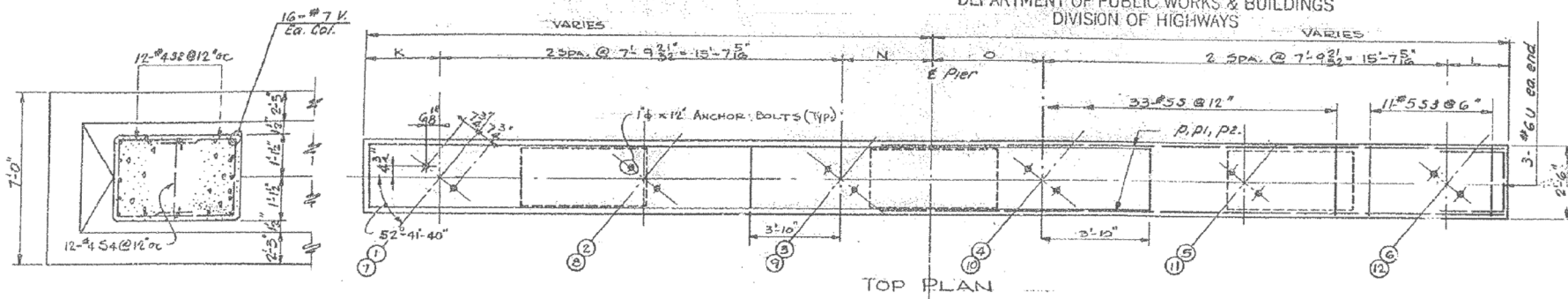


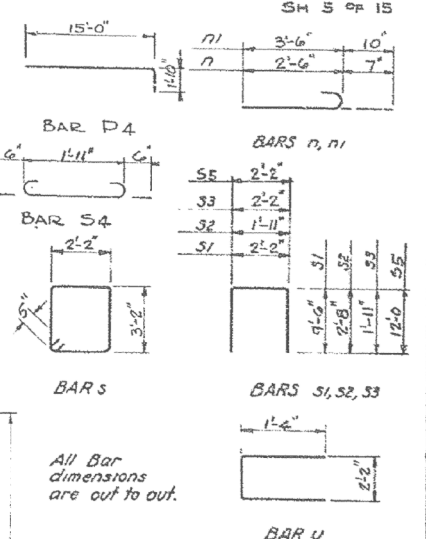
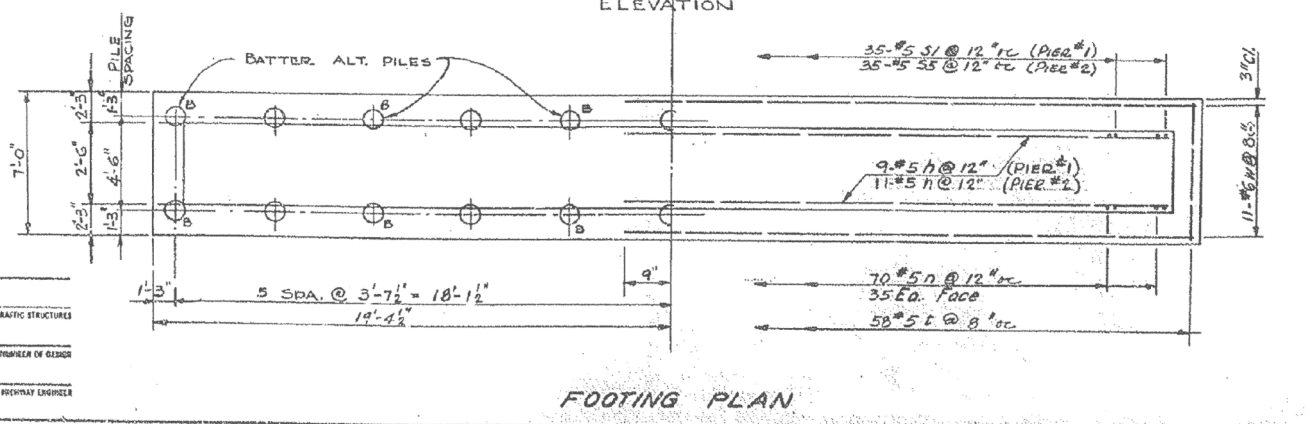
STATE OF ILLINOIS
DEPARTMENT OF PUBLIC WORKS & BUILDINGS
DIVISION OF HIGHWAYS

ROUTE NO.	SEC.	COUNTY	SHEET	SUBSET
F.A.I. RT. 74	90-14	TAZEWELL	24	11
FED. ROAD DIST. NO.	ILLINOIS			



CANTILEVER LENGTH

LOCATION	LENGTH
LEFT	6'-0 1/2"
RIGHT	6'-0 3/8"
LEFT	6'-12"
RIGHT	6'-11 1/2"
LEFT	6'-12"
RIGHT	6'-11 1/2"
LEFT	6'-2 1/2"
RIGHT	6'-2 1/8"



PIERS #1 & 2
BILL OF MATERIALS (A PIER)

Bar	No.	Size	Length	Shape
C	240	#2	1'-6"	—
n	160	#5	15'-0"	—
n1	56	#6	15'-0"	—
n	280	#5	3'-1"	—
n1	192	#7	4'-4"	—
C1	8	#4	17'-0"	—
P	16	#9	19'-0"	—
P1	16	#6	25'-0"	—
P2	32	#9	17'-6"	—
P3	24	#6	7'-8"	—
P4	56	#10	16'-10"	—
S	152	#5	11'-2"	—
S1	70	#5	21'-2"	—
S2	288	#4	7'-5"	—
S3	174	#5	6'-0"	—
S4	144	#4	2'-11"	—
P	32	#5	6'-6"	—
S5	70	#5	26'-2"	—
U	24	#6	4'-10"	—
C2	8	#4	15'-0"	—
V	192	#7	14'-2"	—
W	88	#6	19'-10"	—

Class X Concrete cu. yd. 341.2
Reinforcement Bars lbs. 33,140
CLASS A EXCAVATION cu. yds. 260
TIMBER PILES LIN. FT. 2175
TEST PILES EA. 1

PILE DATA

TYPE	CRESOSOTED
CAPACITY	20 TON
NO. REQ'D	88 #
ESTIMATED LENGTH	25 FT.

22 PILES FOR EA. PIER.
INCLUDES 1 TEST PILE AT PIER #1

PIERS #1 & 2
F.A.I. ROUTE 74 SECTION 80-14 NVB
F.A.I. ROUTE 74 OVER I.T.R.R. & S.B.I. ROUTE 121
STATION 588+65.40
TAZEWELL COUNTY
WARREN AND VAN PRAALS, INC.
CONSULTING ENGINEERS - DECATUR, ILLINOIS

DESIGNED	R.H.M.	EXAM NED	
CHECKED	W.B.S.	ENGINEER OF BRIDGES AND TRAFFIC STRUCTURES	
DRAWN	D.H.M.	PASSED	ENGINEER OF GEOR
CHECKED	W.B.S.	APPROVED	CHIEF HIGHWAY ENGINEER

FOR INFORMATION ONLY

FILE NAME =	USER NAME = mbecker	DESIGNED - MFB	REVISED -
0900169.68620.54.exist5.dgn		CHECKED - MRB	REVISED -
		DRAWN - PRT/LLR	REVISED -
		CHECKED - MRB	REVISED -

F.A.I. RTE.	SECTION	COUNTY	TOTAL SHEETS	SHEET NO.
74	90-114R2(14HB-4,14,14HBV)BR	TAZEWELL	2433	2030
			CONTRACT NO. 68620	
ILLINOIS FED. AID PROJECT				