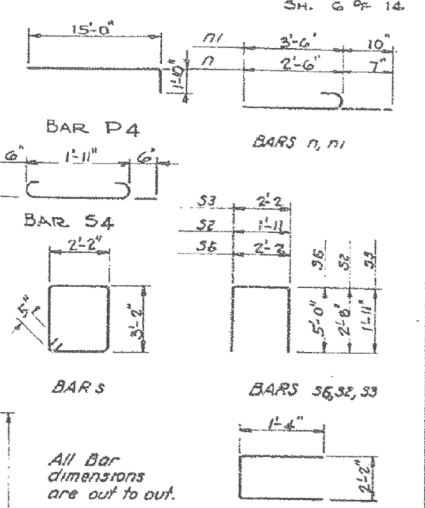
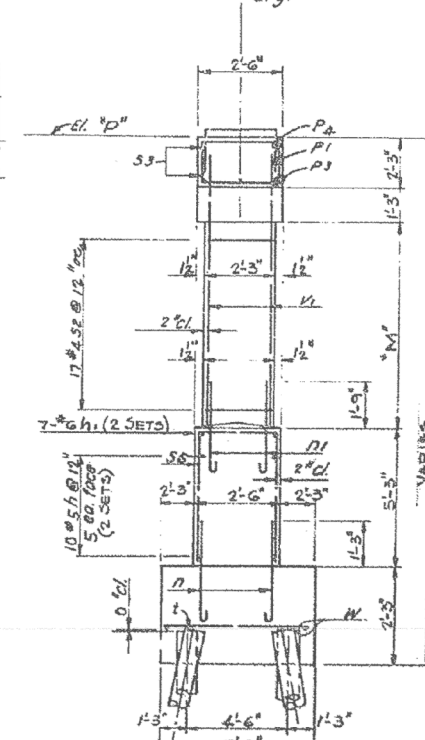
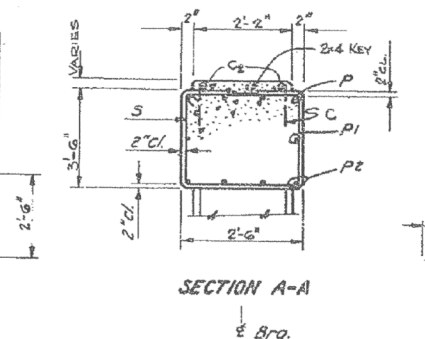
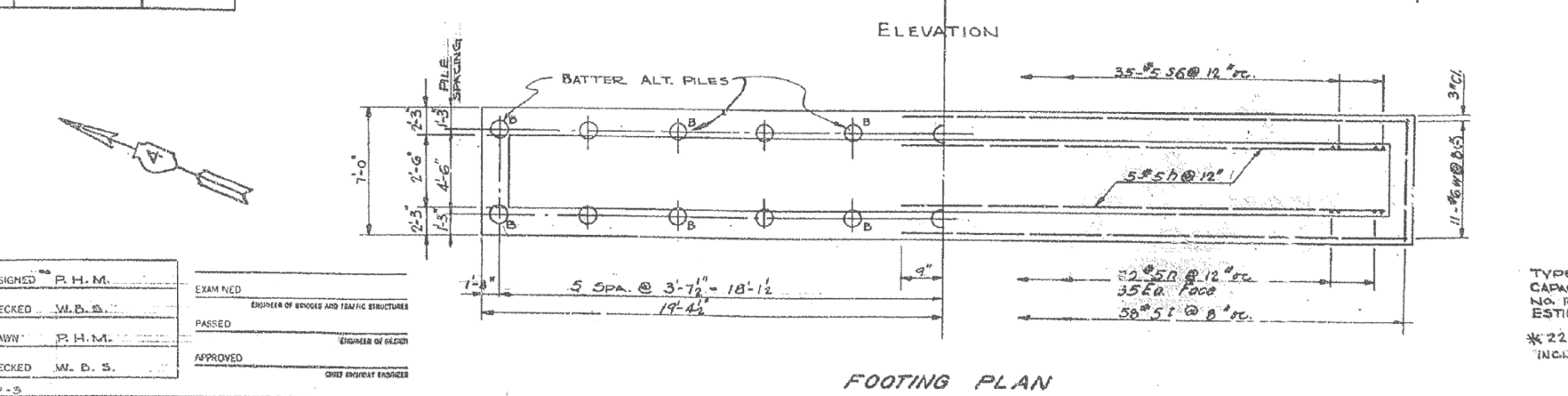
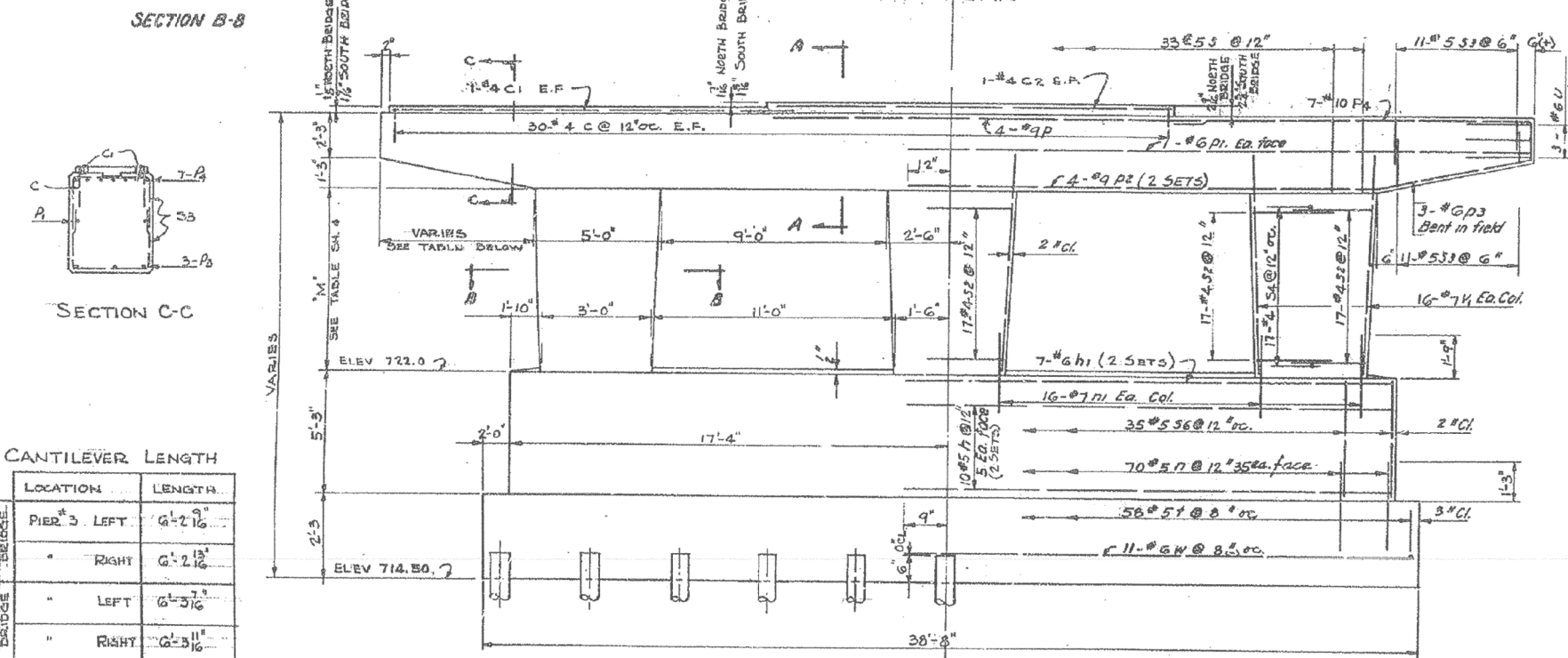
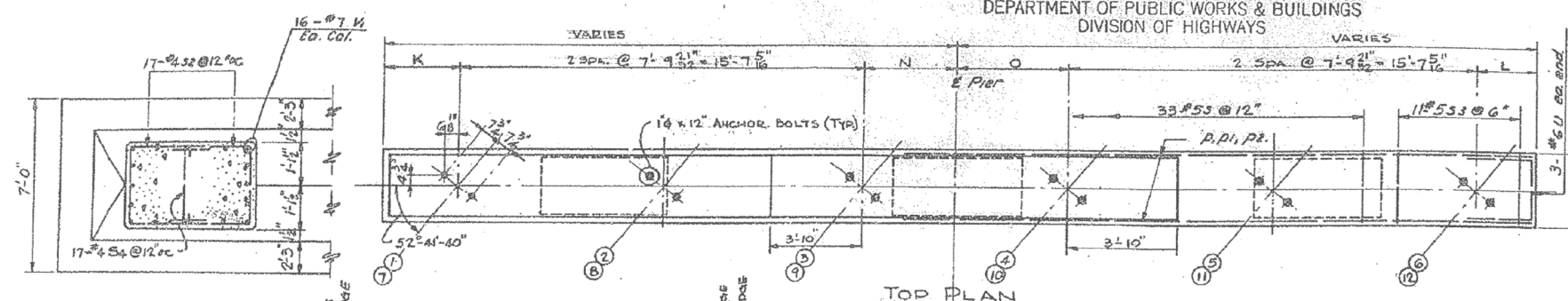


STATE OF ILLINOIS
DEPARTMENT OF PUBLIC WORKS & BUILDINGS
DIVISION OF HIGHWAYS

ROUTE No.	SEC.	COUNTY	SHEET
F.A.I. 90-14		TAZEWELL	24
R.R. 74	HVB		12
FED. ROAD DIST. No.	ILLINOIS		



CANTILEVER LENGTH

LOCATION	LENGTH
PIER #3 LEFT	6'-2 9/16"
" RIGHT	6'-2 1/8"
" LEFT	6'-3 7/16"
" RIGHT	6'-3 11/16"

PIER #3
BILL OF MATERIALS (2 PIERS)

Bar No.	Size	Length	Shape
C	120	#4	1'-6"
H	40	#5	18'-0"
h1	20	#6	18'-0"
n	140	#5	3'-1"
n1	90	#7	2'-2"
C1	4	#4	17'-0"
P	8	#9	19'-6"
P1	8	#6	23'-3"
P2	16	#9	17'-6"
P3	12	#6	7'-8"
P4	20	#10	16'-10"
S	66	#5	11'-6"
S6	70	#5	18'-2"
S8	204	#4	7'-3"
S3	88	#5	6'-0"
S4	102	#4	2'-11"
T	116	#5	6'-0"
C2	4	#4	15'-0"
U	12	#6	4'-10"
V	96	#7	18'-9"
W	44	#6	19'-10"

Class X Concrete cu yd. 141.5
Reinforcement Bars lbs. 16,930
CLASS A EXCAVATION cu yds. 150
TIMBER PILES Lin. Ft. 1075
TEST PILES SA. 1

PILE DATA

TYPE	CRESOTED
CAPACITY	20 TON
NO. REQ'D	44
ESTIMATED LENGTH	23.5 FT

* 22 PILES FOR EA. PIER.
INCLUDES ONE TEST PILE

PIER #3
F.A.I. ROUTE 74 SECTION 90-14 NVB
F.A.I. ROUTE 74 OVER I.T. RR. & S.B.I. ROUTE 121
STATION 568+83.40
TAZEWELL COUNTY
WARREN AND VAN PRAAG, INC.
CONSULTING ENGINEERS-DECATUR, ILLINOIS

DESIGNED BY P. H. M.
CHECKED BY W. D. S.
DRAWN BY P. H. M.
CHECKED BY W. D. S.

EXAMINED BY
PASSED BY
APPROVED BY

ENGINEER OF BRIDGES AND TRAFFIC STRUCTURES
ENGINEER OF SECTION
CHIEF ENGINEER

FOR INFORMATION ONLY

benesch
engineers · scientists · planners

Alfred Benesch & Company
205 North Michigan Avenue, Suite 2400
Chicago, Illinois 60601
312-565-0450 Job No. 10056

FILE NAME =	USER NAME = mbecker	DESIGNED - MFB	REVISED -
0900169.68620.55.exist6.dgn		CHECKED - MRB	REVISED -
	PLOT SCALE =	DRAWN - PRT/LLR	REVISED -
	PLOT DATE = 7/16/2012	CHECKED - MRB	REVISED -

STATE OF ILLINOIS
DEPARTMENT OF TRANSPORTATION

EXISTING PLANS
STRUCTURE NO. 090-0169
SHEET NO. SC55 OF SC63 SHEETS

F.A.I. RTE.	SECTION	COUNTY	TOTAL SHEETS	SHEET NO.
74	90-114R(14HB-4,14,14HVB)BR	TAZEWELL	2433	2031
			CONTRACT NO. 68620	
ILLINOIS FED. AID PROJECT				

x:\10000s\10056\engineer\ing-documents\phase-1\174overJackson\Final\0900169.68620.55.exist6.dgn 11:21:52 AM 7/16/2012