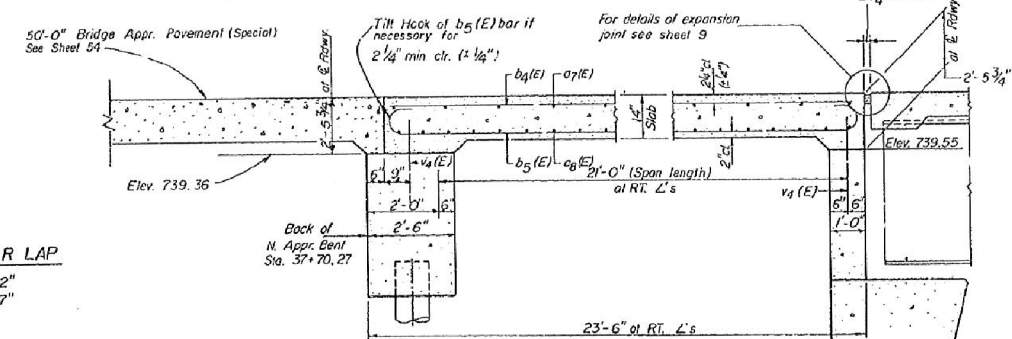
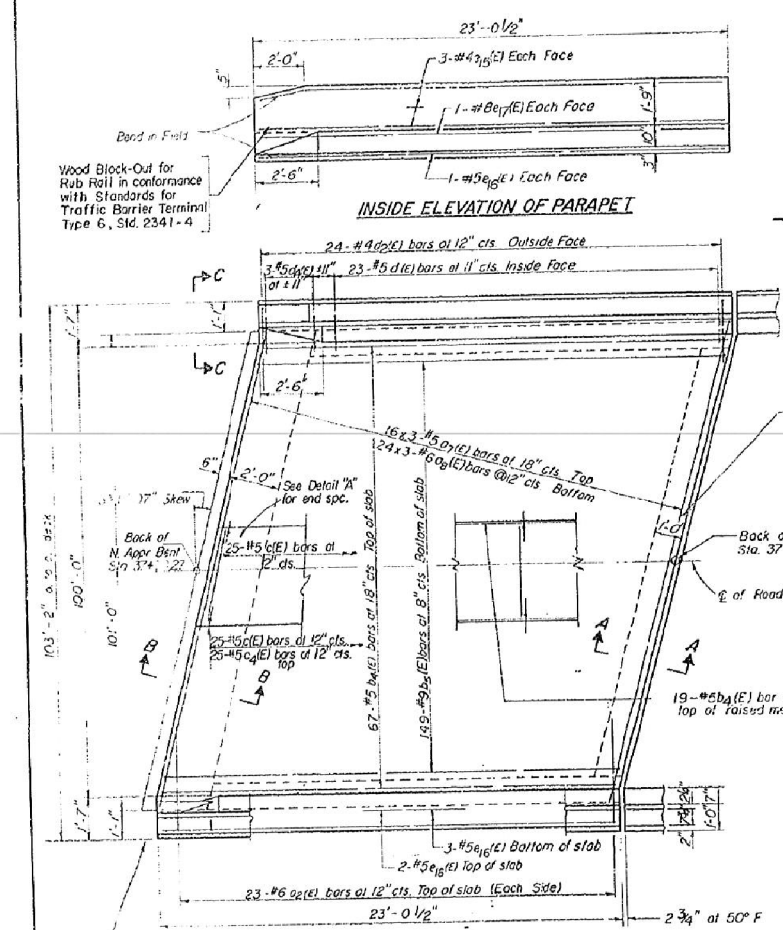


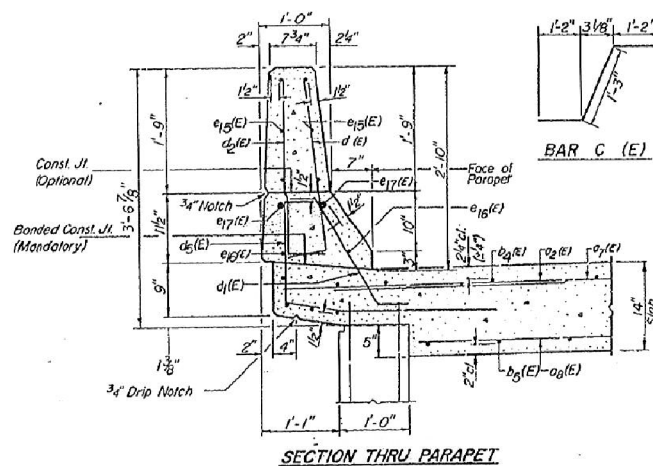
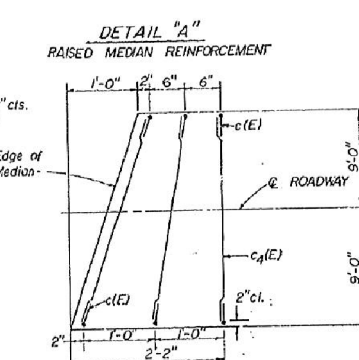
STATE OF ILLINOIS
DEPARTMENT OF TRANSPORTATION

RTE.	SECTION	COUNTY	TOTAL SHEETS
FAI 74	*	TAZEWELL	250
STA.	TO STA.		41
FORMA. REC.	ILLINOIS		
*190-15-1, 15-1 HB, 15 W-1			



MINIMUM BAR LAP
#5 bars = 2'-2"
#6 bars = 2'-7"

NOTE: FOR SLIPFORM PARAPET DETAIL SEE SHEET 80A.



NORTH APPR. SLAB BILL OF MATERIAL

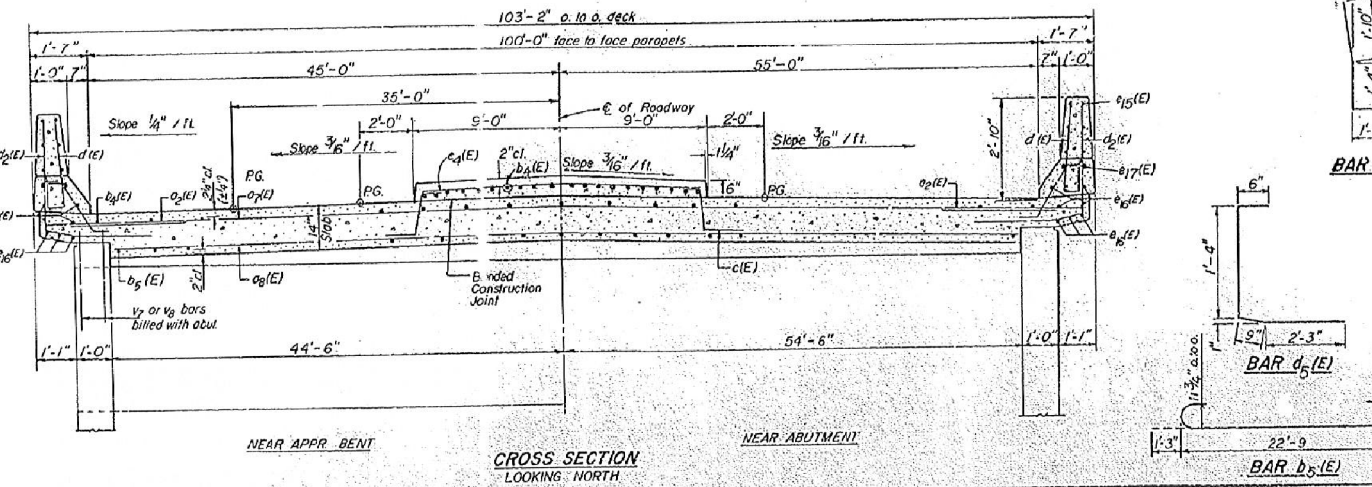
Bar	No.	Size	Length	Shape
o2(E)	46	#6	4'-0"	
o7(E)	40	#6	35'-2"	
o9(E)	72	#6	35'-4"	
b4(E)	88	#5	22'-8"	
b5(E)	149	#9	25'-3"	
c(E)	50	#5	3'-7"	
c4(E)	25	#5	17'-6"	
d(E)	46	#5	3'-0"	
d1(E)	46	#5	2'-7"	
d2(E)	48	#4	3'-0"	
d4(E)	6	#5	4'-2"	
d5(E)	48	#4	4'-10"	
e15(E)	12	#4	22'-8"	
e16(E)	14	#5	22'-8"	
e17(E)	4	#8	22'-8"	

Reinforcement Bars (Epoxy Coated) Lbs. 22,630
Class X Concrete Cu.Yds. 129.5

Reinforcement bars designated (E) shall be epoxy coated.

DESIGNED L.L. VIELEY
CHECKED D.L.H.
DRAWN C.D. SHEDDEN
CHECKED L.L.V. LJV

SA-2-L (S30) 6-1-89
R.A.N. CONSULTANTS INC.



NORTH APPROACH SLAB

FAI 74 G.F.A.U. 6729
SECTION (R0-15-1, 15-1HB, 15W)-1
TAZEWELL COUNTY
STATION 36+49.87

FOR INFORMATION ONLY



FILE NAME =	USER NAME = mbecker	DESIGNED - JDC	REVISED -
		CHECKED - MRB	REVISED -
		DRAWN - PRT	REVISED -
		CHECKED - MRB	REVISED -

STATE OF ILLINOIS
DEPARTMENT OF TRANSPORTATION

EXISTING PLANS
STRUCTURE NO. 090-0141
SHEET NO. SD23 OF SD29 SHEETS

F.A.I. RTE.	SECTION	COUNTY	TOTAL SHEETS	SHEET NO.
74	90-14R(14HB-4,14,14HVB)BR	TAZEWELL	2433	2062
CONTRACT NO. 68620				

X:\100005\10056\Engineer\ng-Document\Phase 11\MortonOver174\Final\0900141.68620.23-exist9.dgn 7:37:58 AM 7/16/2012