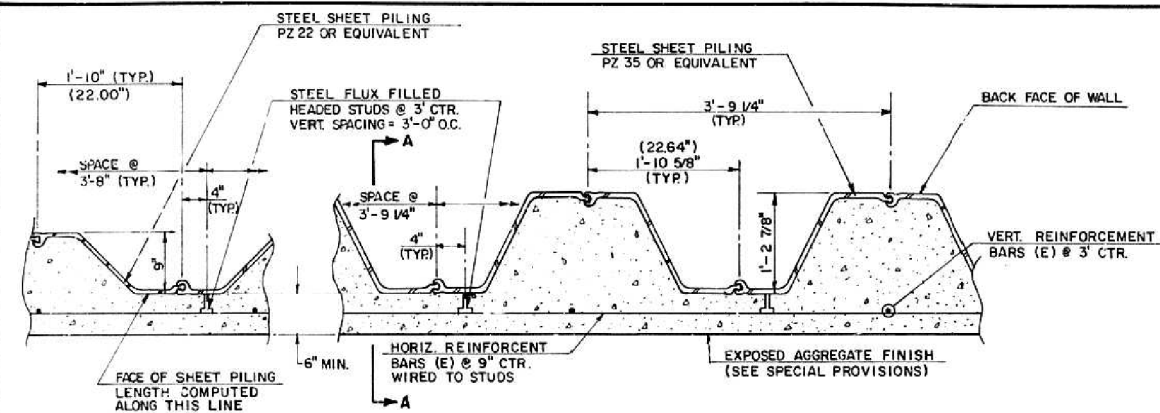
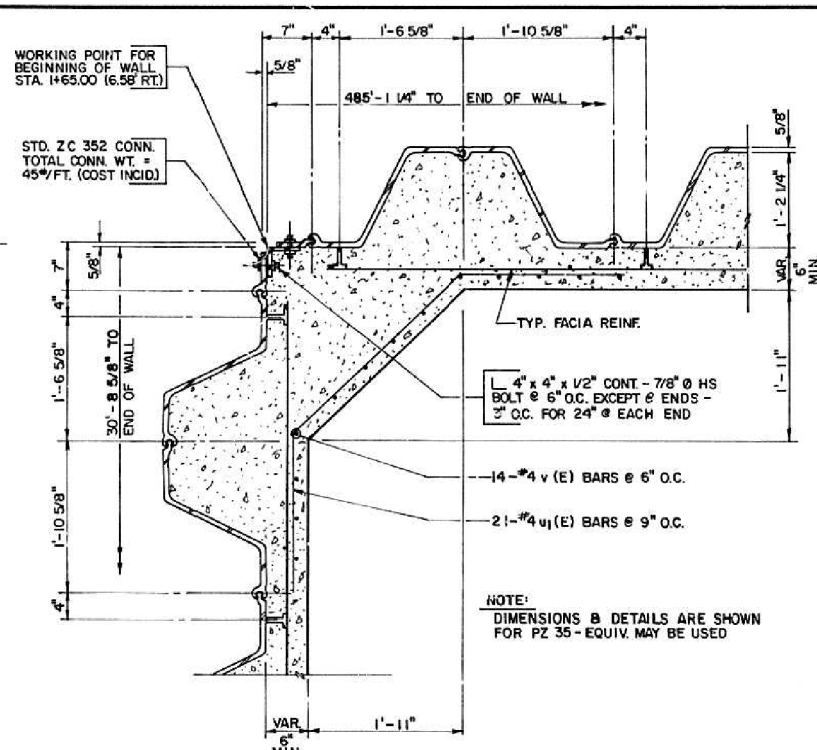


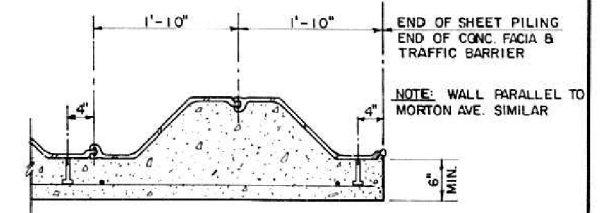
RTE.	SECTION	COUNTY	TOTAL SHEETS	SHEET NO.
FAI 74	*	TAZEWELL	280	76
STA.	TO STA.			
F.W.A. REG. ILLINOIS				
* (90-15-1, 15-14B, 15W)-1				



TYPICAL HORIZONTAL SECTION OF SHEET PILE WALL WITH CONCRETE FACIA

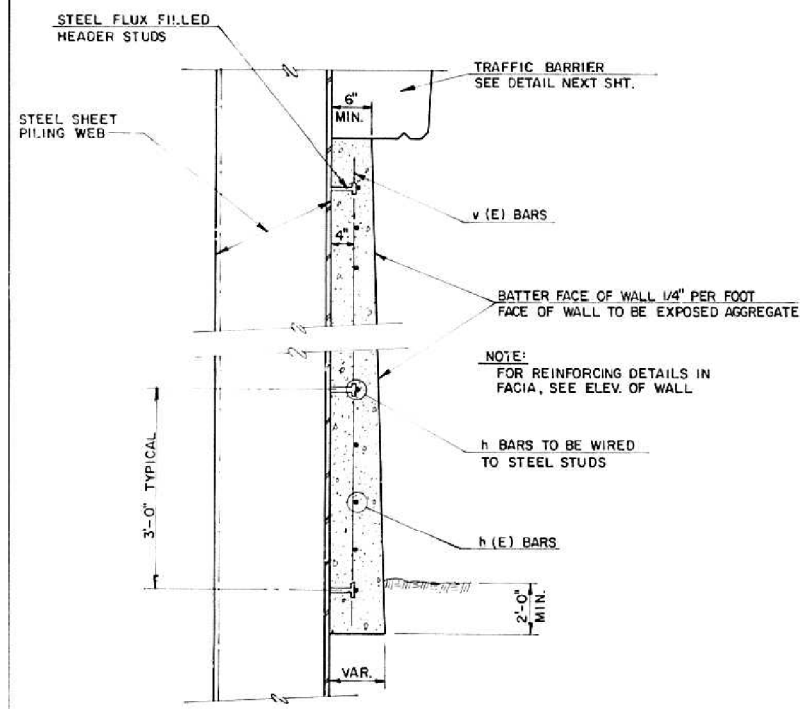


CORNER DETAIL OF SHEET PILE WALL DETAIL C-C

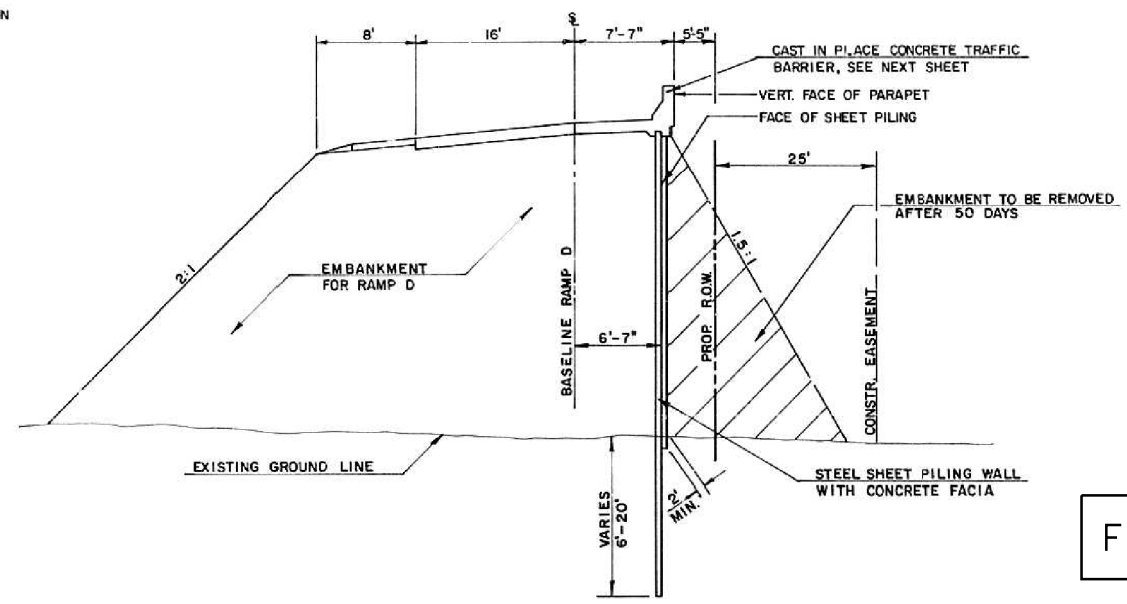


END DETAIL OF SHEET PILE WALL

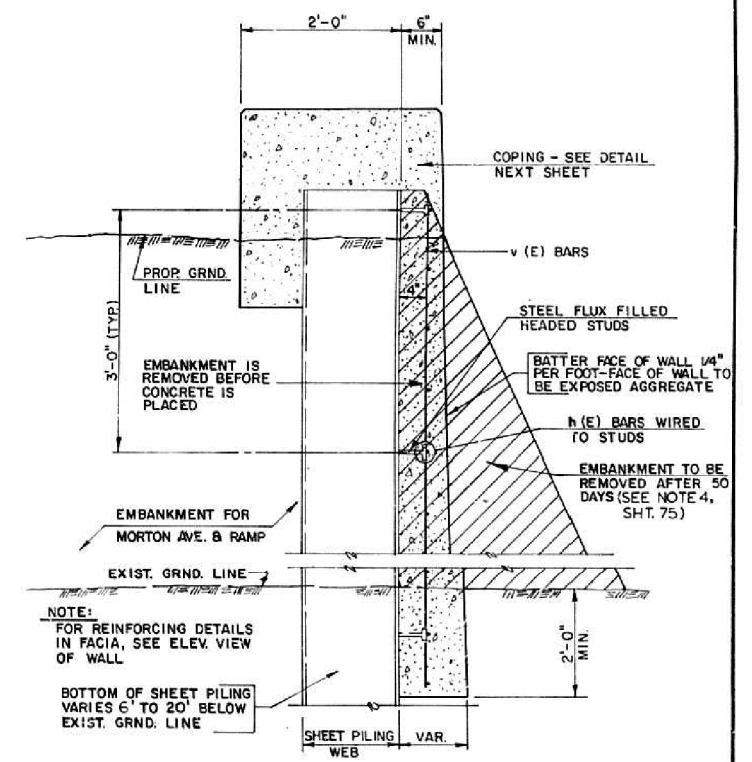
NOTE: DIMENSIONS & DETAILS ARE SHOWN FOR PZ 22 OR EQUIV. MAY BE USED



SECTION A-A



TYPICAL SECTION THRU EMBANKMENT



SECTION B-B

FOR INFORMATION ONLY

**RAMP D
RETAINING WALL DETAILS
RT. STA. 1+65 TO 6+45**

benesch
engineers · scientists · planners
Alfred Benesch & Company
205 North Michigan Avenue, Suite 2400
Chicago, Illinois 60601
312-565-0450 Job No. 10056

FILE NAME =	USER NAME = mbecker	DESIGNED - DMS	REVISED -
XXXXXX.68620.03.rtwlex2.dgn		CHECKED - MRB	REVISED -
	PLOT SCALE =	DRAWN - PRT	REVISED -
	PLOT DATE = 7/16/2012	CHECKED - MRB	REVISED -

**STATE OF ILLINOIS
DEPARTMENT OF TRANSPORTATION**

**RAMP D RETAINING WALL EXISTING PLANS 2 OF 3
RAMP D RETAINING WALL**
SHEET NO. SH3 OF SH4 SHEETS

F.A.I. RTE.	SECTION	COUNTY	TOTAL SHEETS	SHEET NO.
74	90-[14R(14HB-4,14,14HV)]/BRJ	TAZEWELL	2433	2093
CONTRACT NO. 68620				
ILLINOIS FED. AID PROJECT				

X:\100005\10056\Engineer\ng-Document\ng-Phase.1\174overRR\Final\XXXXXX.68620.03.rtwlex2.dgn 7:54:01 AM 7/16/2012