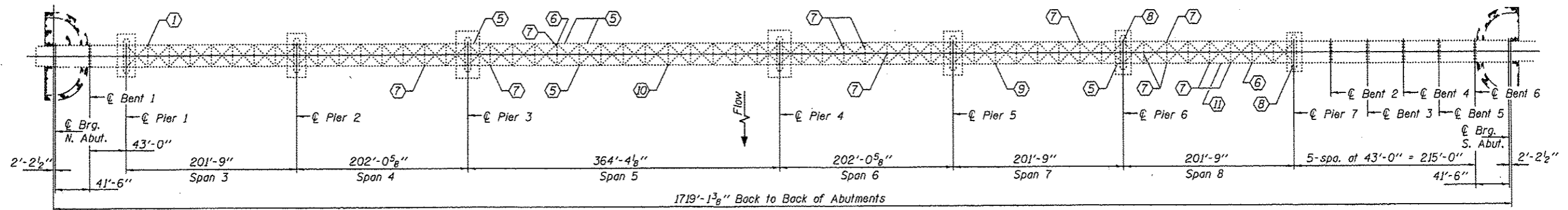
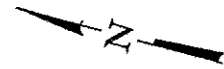


ELEVATION



PLAN

- ① - Remove Welded Angles. See Detail on sheet 5 of 10.
- ② - Fill Holes with Bolts. See Table on sheet 5 of 10.
- ③ - Replace Missing Guardrail Support Bolts. See Table on sheet 5 of 10.
- ④ - Grind Nicks and Gouges. See Detail & Table on sheet 5 of 10.
- ⑤ - Remove & Replace Existing Batten R or Stay R. See Details on sheet 5 of 10.
- ⑥ - Repair Gusset R. See Details on sheets 6 & 7 of 10.
- ⑦ - Straighten Bent Members. See Details on sheet 8 of 10.
- ⑧ - Repair Floor Beam. See Details on sheet 9 of 10.
- ⑨ - Structural Steel Repair. See Details on sheet 9 of 10.
- ⑩ - Repair Inside Gusset R. See Details on sheet 10 of 10.
- ⑪ - Structural Steel Repair. See Details on sheet 10 of 10.

**PRE-FINAL**

DATE: 06-13-2012

Expires: November 30, 2012

DESIGNED - MKC	EXAMINED	DATE - JUNE 13, 2012	<b>STATE OF ILLINOIS DEPARTMENT OF TRANSPORTATION</b>	<b>GENERAL PLAN &amp; ELEVATION ILLINOIS ROUTE 18 OVER THE ILLINOIS RIVER SN 062-0036</b>		F.A.S. RTE. 2369	SECTION	COUNTY	TOTAL SHEETS	SHEET NO.
CHECKED - VP	PASSED	REVIS		ILLINOIS						7
DRAWN - Kyle M. Steffen	ACTING ENGINEER OF STRUCTURAL SERVICES	REVIS		MARSHALL						
CHECKED - MKC VP	ACTING ENGINEER OF BRIDGES AND STRUCTURES	REVIS		CONTRACT NO.		ILLINOIS FED. AID PROJECT				

SHEET NO. 1 OF 10 SHEETS