

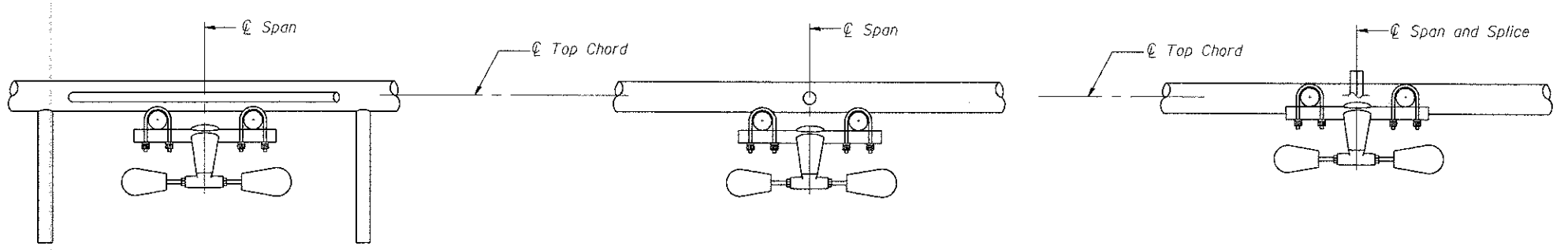
* Center of horizontal to center of splice dimension may vary. Verify before drilling holes in mounting tube.

PLAN DETAIL "A"
Span between Panel Points

PLAN DETAIL "B"
Span at Panel Point

PLAN DETAIL "C"
Span at Chord Splice

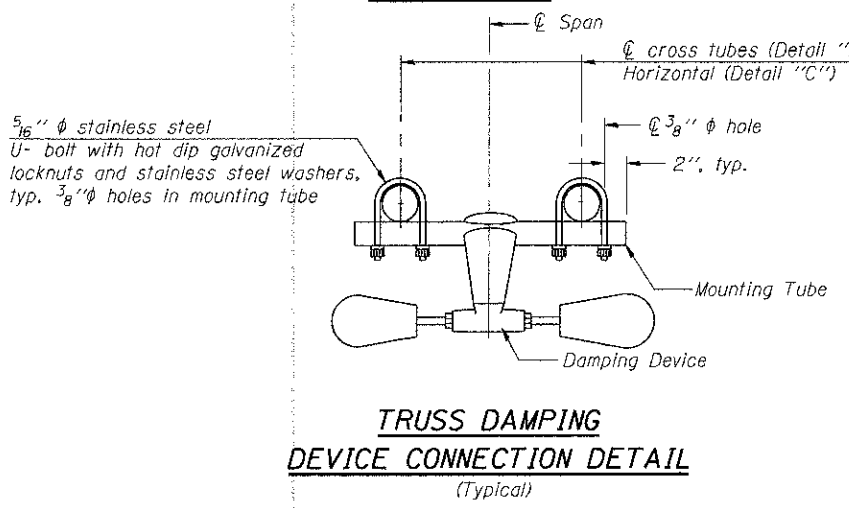
NOTES
 Damper: One damper per truss. (31 lbs. minimum Stockbridge-Type Aluminum - 29" minimum between ends of weights) Cost included in Overhead Sign Structure...
 Materials: Materials: Aluminum tubes shall be ASTM B221 alloy 6061 temper T6. Cost included in Overhead Sign Structure...



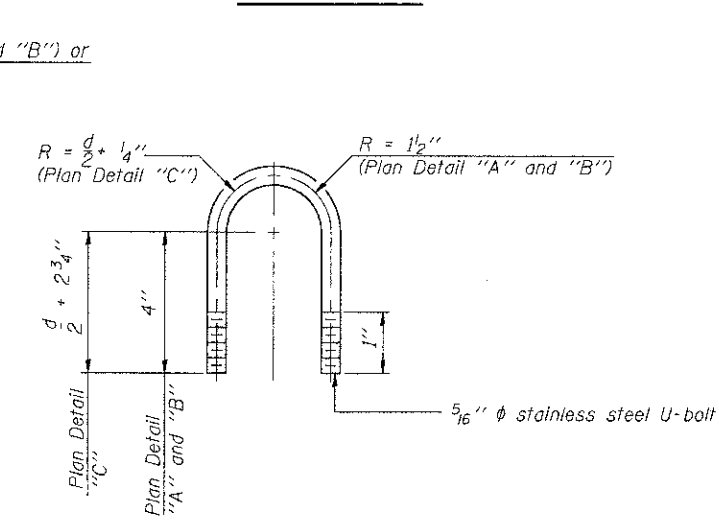
SECTION A-A

SECTION B-B

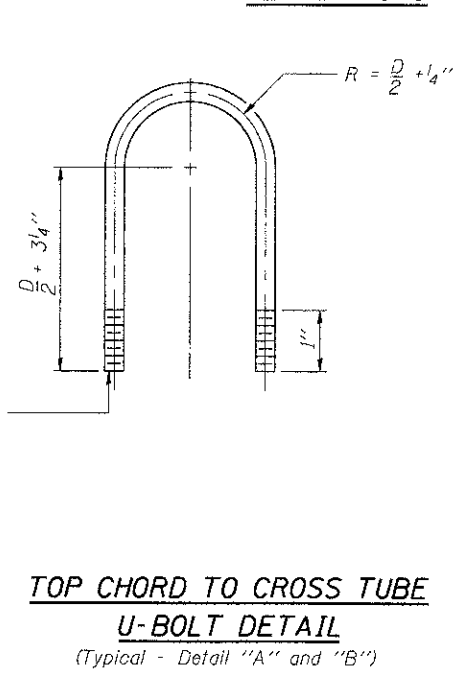
SECTION C-C



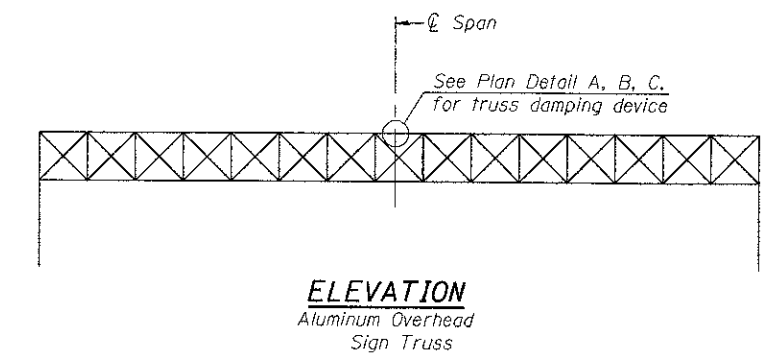
TRUSS DAMPING DEVICE CONNECTION DETAIL
(Typical)



DAMPING DEVICE MOUNTING TUBE U-BOLT DETAIL
(Typical)



TOP CHORD TO CROSS TUBE U-BOLT DETAIL
(Typical - Detail "A" and "B")



ELEVATION
Aluminum Overhead Sign Truss

OS-A-D 6-1-12
 FILE NAME: USER NAME: DESIGNED: MDJ REVISIONS: DRAWN: MDJ CHECKED: JLR DATE: 06/29/12
 TENG & ASSOCIATES, INC. ENGINEERS/ARCHITECTS/PLANNERS CHICAGO, ILLINOIS
 STATE OF ILLINOIS DEPARTMENT OF TRANSPORTATION I-70 CONNECTION
 OVERHEAD SIGN STRUCTURE DAMPING DEVICE
 SHEET NO. 4 OF 14 SHEETS
 CONTRACT NO. 76C43

OS-A-D

6-1-12

FILE NAME: OS-A-D	USER NAME: MDJ	DESIGNED: MDJ	REVISIONS:	STATE OF ILLINOIS DEPARTMENT OF TRANSPORTATION I-70 CONNECTION	OVERHEAD SIGN STRUCTURE DAMPING DEVICE				F.A.P. RTE. 998	SECTION 82-1R	COUNTY ST. CLAIR	TOTAL SHEETS 294	SHEET NO. 183
#FILEL#	PLOT SCALE: #SCALE#	CHECKED: JLR	DATE: 06/29/12		SCALE:	SHEET NO. 4 OF 14 SHEETS	STA.	TO STA.	CONTRACT NO. 76C43				
TENG & ASSOCIATES, INC. ENGINEERS/ARCHITECTS/PLANNERS CHICAGO, ILLINOIS									FED. ROAD DIST. NO. ILLINOIS FED. AID PROJECT				