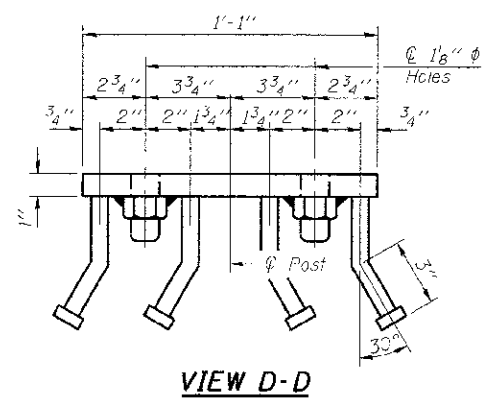
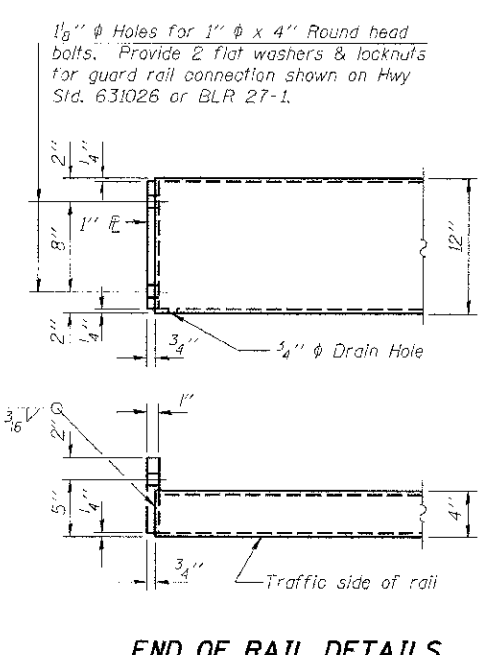
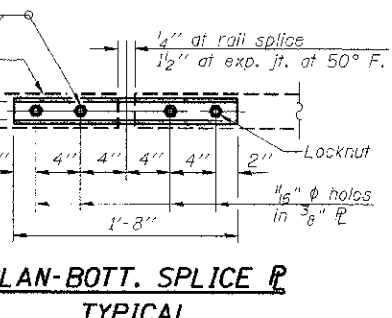
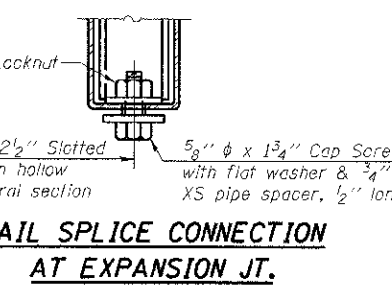
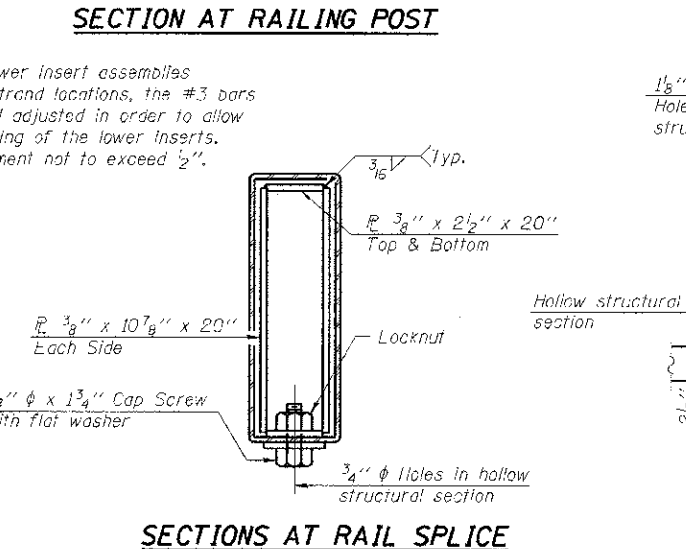
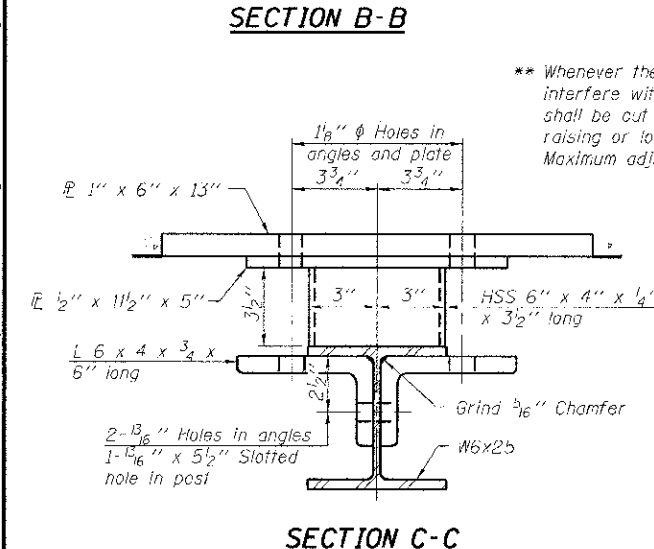


Notes:
All field drilled holes shall be coated with an approved zinc rich paint before erection. For multi-span bridges, sufficient 1/4 inch x 6 inch x 1-2 inch galvanized steel shims shall be provided to align rail between adjacent spans. Cost included with Steel Railing, Type S-1. All steel rail elements shall be galvanized according to Article 509.05 of the Standard Specifications.
*** The studs of the anchor devices shall be placed below the top reinforcement bars and the outermost longitudinal reinforcement bar shall be placed directly above the studs of the rail post anchor device.



BILL OF MATERIAL

Item	Unit	Quantity
Steel Railing, Type S-1	Foot	97

R-23A 7-1-10 (10'-9" Maximum Post Spacing)

USER NAME = #USER#	DESIGNED - DF	REVISED -
PLOT SCALE = 8.00933' / IN.	CHECKED -	REVISED -
PLOT DATE = 6/11/2012	DRAWN - JEH, ADG	REVISED -
	CHECKED - DF	REVISED -

STATE OF ILLINOIS
DEPARTMENT OF TRANSPORTATION

STEEL RAILING, TYPE S-1
STRUCTURE NO. 092-3508
SHEET NO 4 OF 7 SHEETS

TWP. RTE.	SECTION	COUNTY	TOTAL SHEET NO.
92	05-09118-00-BR	VERMILION	15 09
			CONTRACT NO. 91463
ILLINOIS FED. AID PROJECT			