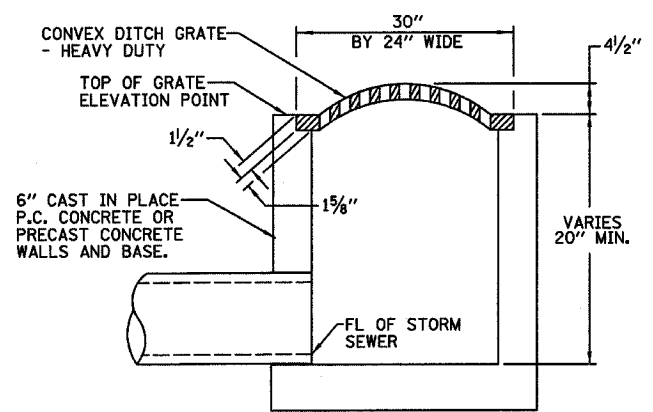
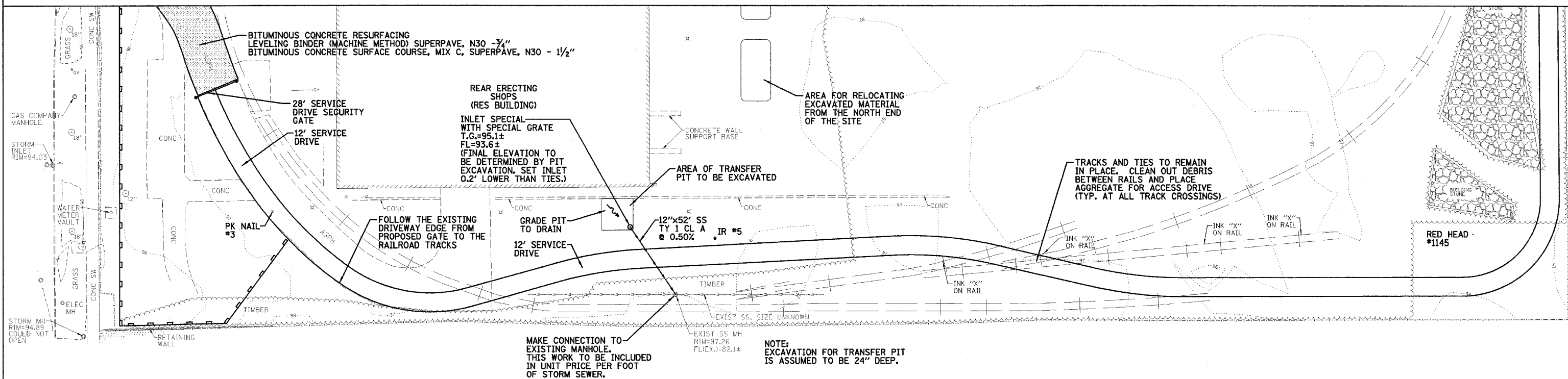
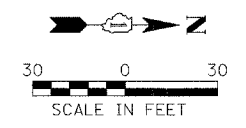


| | | | | |
|---------------------|----------|------------------|--------------|-----------|
| F.A. RTE. | SECTION | COUNTY | TOTAL SHEETS | SHEET NO. |
| | | COOK | 17 | 8 |
| STA. | TO STA. | | | |
| FED. ROAD DIST. NO. | ILLINOIS | FED. AID PROJECT | | |
| CONTRACT NO. 44917 | | | | |

MATCH LINE PLAN SHEET 6



INLET SPECIAL WITH SPECIAL GRATE DETAIL



| REVISIONS | |
|-----------|------|
| NAME | DATE |
| | |
| | |
| | |
| | |
| | |
| | |
| | |
| | |
| | |
| | |

ILLINOIS DEPARTMENT OF TRANSPORTATION
PROPOSED PLAN
 IDOT / IHPA
 PULLMAN STATE HISTORIC SITE

SCALE: VERT. _____
 HORIZ. _____
 DATE: 11/08/05

DRAWN BY: DJM
 CHECKED BY: PJM