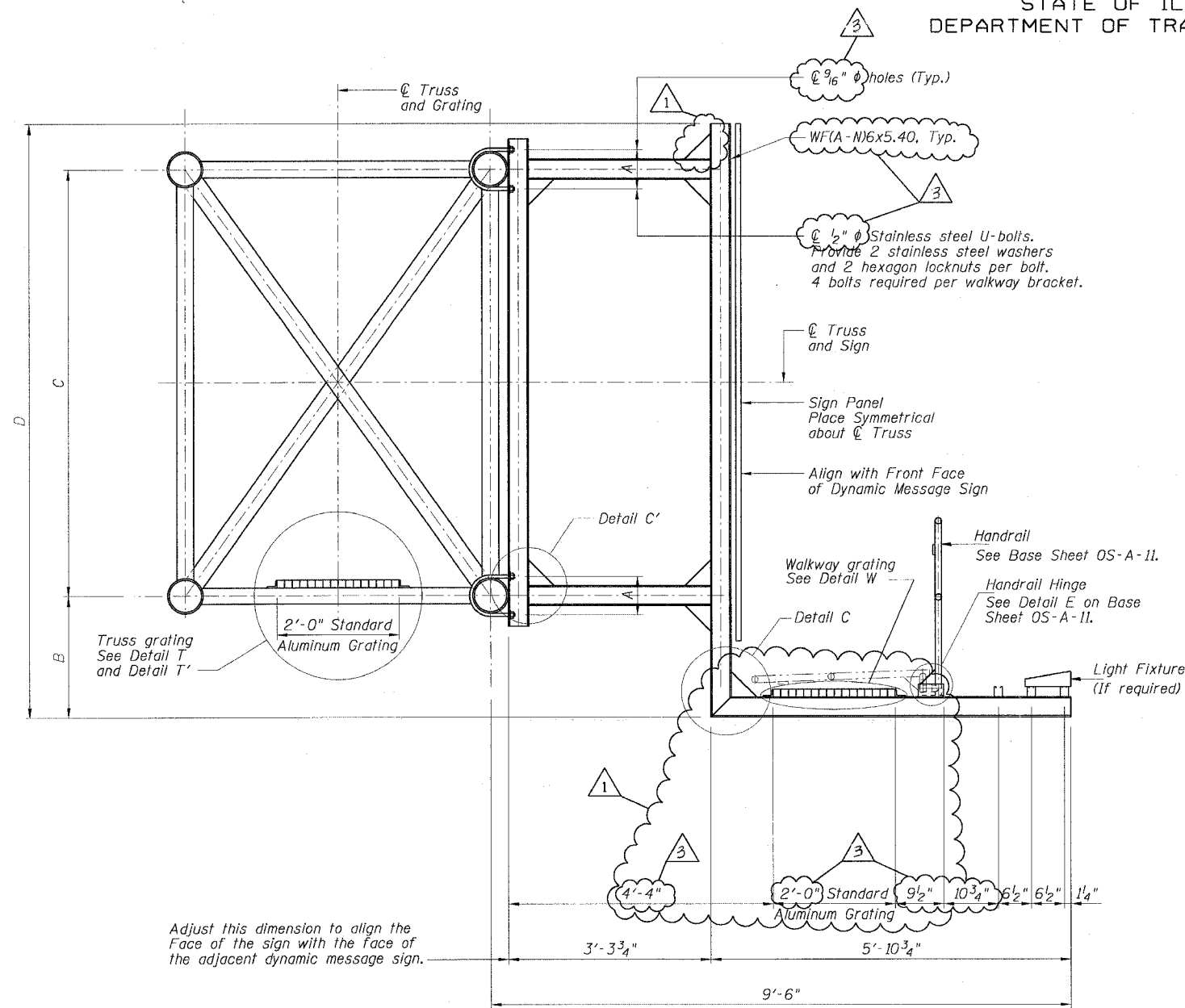


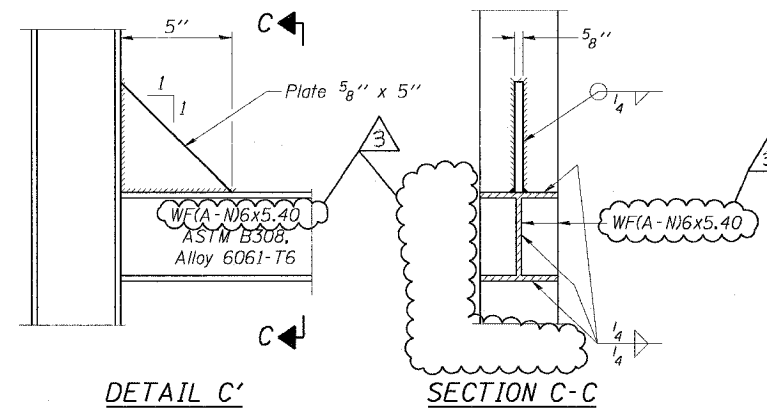
STATE OF ILLINOIS
DEPARTMENT OF TRANSPORTATION

ROUTE NO.	SECTION	COUNTY	SHEET NO.	SHEET TOTAL
F.A.I. RTE. 90/94	-	COOK	312	154
FED. AID DIST. NO. 1	ILL. DIST.	FED. AID PROJECT		
1919.15 & 2021.922 P1.1) R-1			60462	



Adjust this dimension to align the Face of the sign with the face of the adjacent dynamic message sign.

SECTION B'''-B'''



DESIGNED - JSS	20
CHECKED - RDP	EXAMINED
DRAWN - JSS	ENGINEER OF STRUCTURAL SERVICES
CHECKED - RDP	PASSED
	ENGINEER OF BRIDGES AND STRUCTURES

MODIFIED BY CTE ENGINEERS, INC FROM OS-A-9-DMS2

REVISIONS		
NAME	DATE	
Addendum 1	7/27/06	
Addendum 2	9/12/06	

OSS-27

OVERHEAD SIGN STRUCTURES
ALTERNATE ALUMINUM WALKWAY DETAILS

F.A.I. 90/94 (DAN RYAN EXPRESSWAY)
63RD STREET TO GARFIELD BLVD (NB LOCAL LANES)
PROPOSED IMPROVEMENT
63RD STREET TO GARFIELD BLVD

09/12/2006 03:16:31 PM