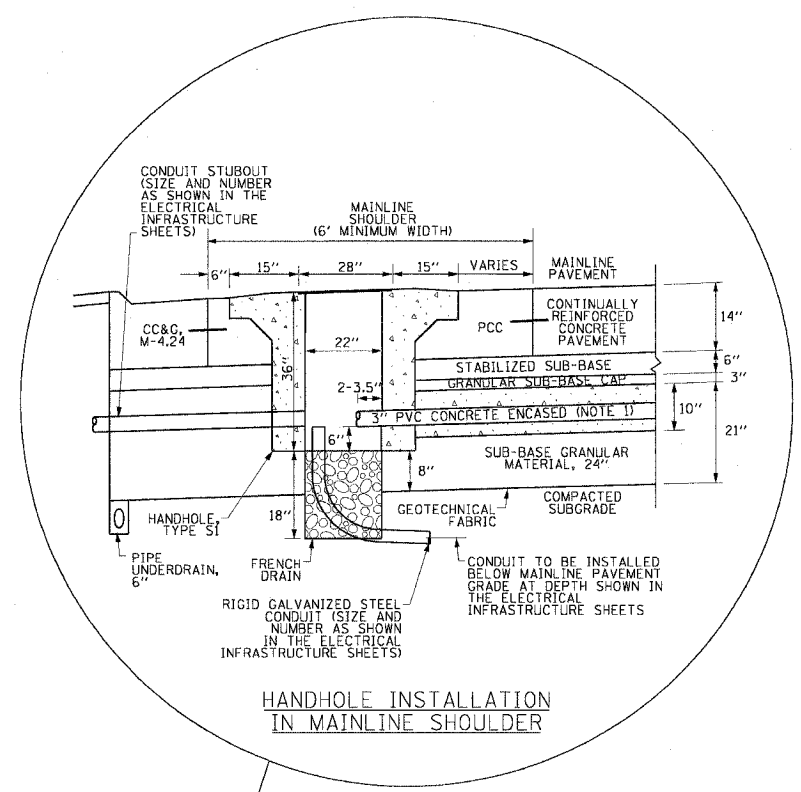
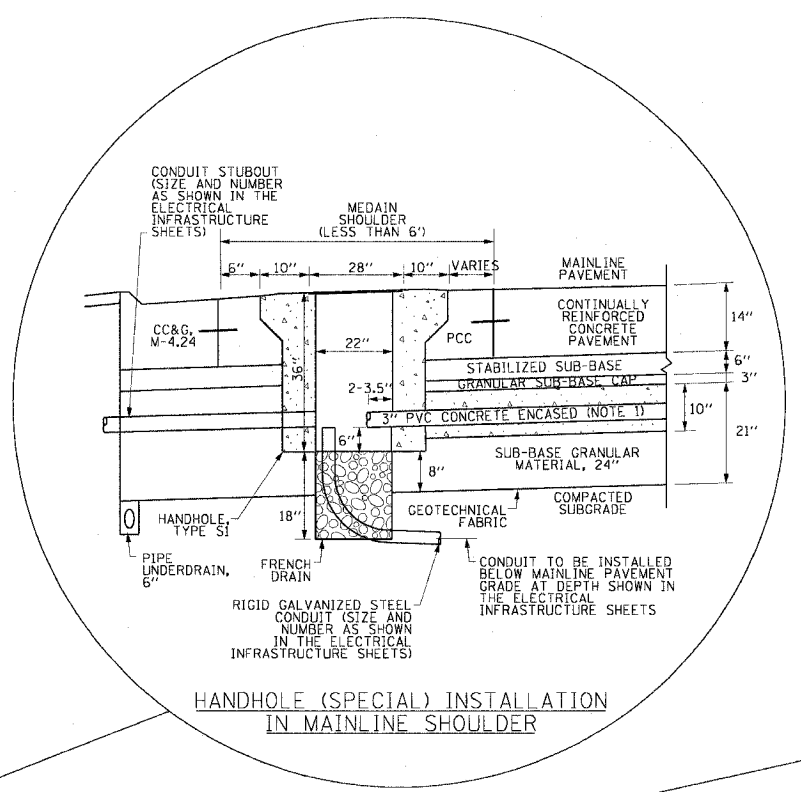


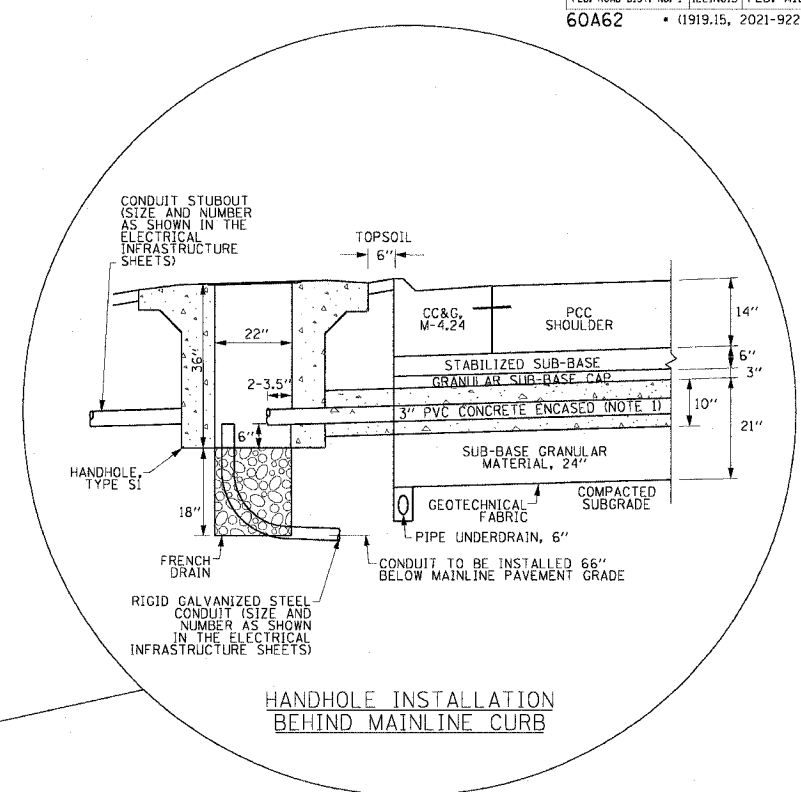
F.A.I. R.T.E.	SECTION	COUNTY	TOTAL SHEETS	SHEET NO.
90/94		COOK	312	188
STA.	TO STA.			
FED. ROAD DIST. NO. 1	ILLINOIS FED. AID PROJECT			
60A62	(1919.15, 2021-922 PT1 & PT2) R-1			



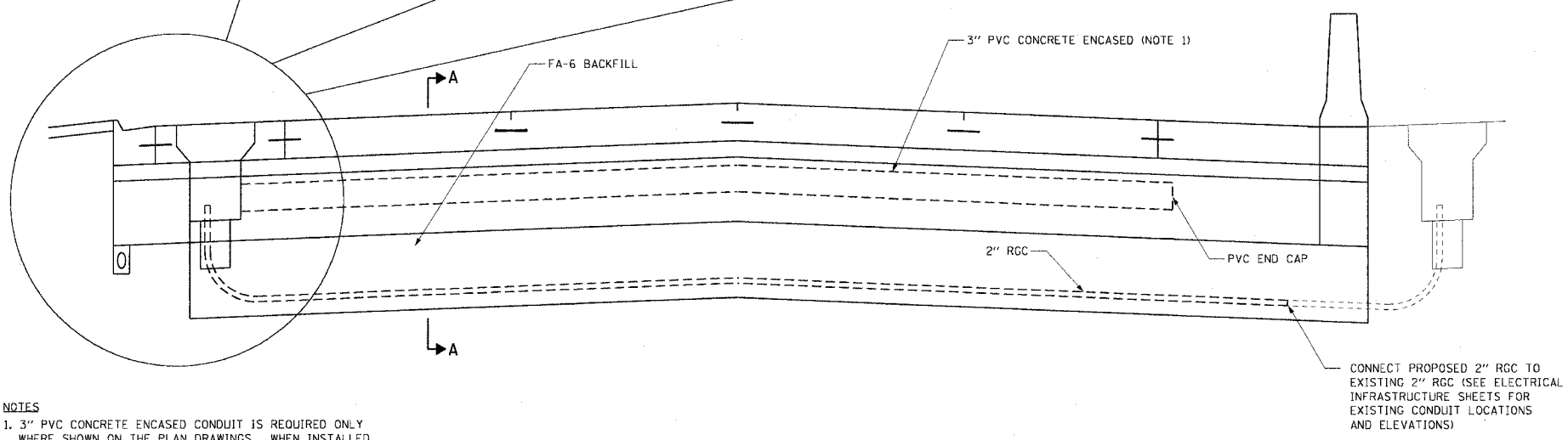
HANDHOLE INSTALLATION IN MAINLINE SHOULDER



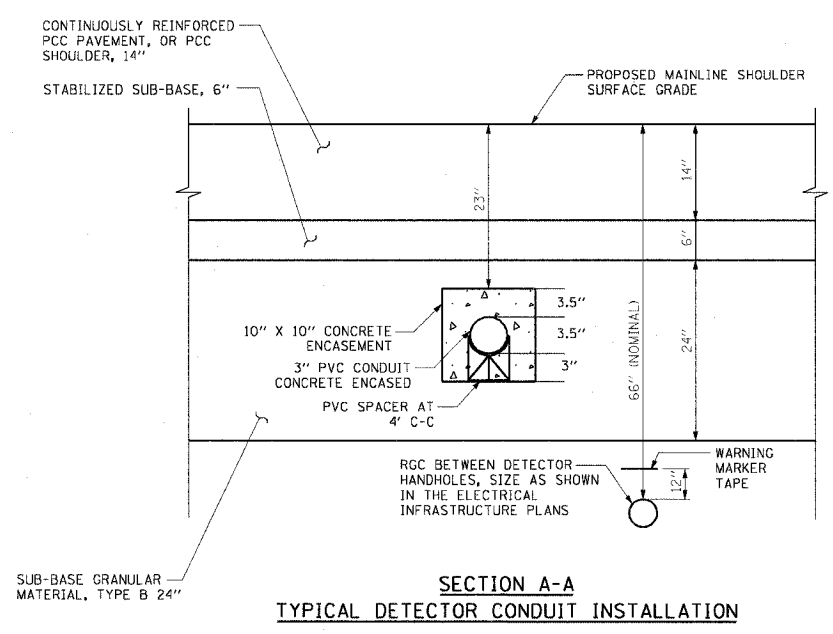
HANDHOLE (SPECIAL) INSTALLATION IN MAINLINE SHOULDER



HANDHOLE INSTALLATION BEHIND MAINLINE CURB



TYPICAL MAINLINE DETECTOR INSTALLATION



SECTION A-A TYPICAL DETECTOR CONDUIT INSTALLATION

- NOTES
1. 3" PVC CONCRETE ENCASED CONDUIT IS REQUIRED ONLY WHERE SHOWN ON THE PLAN DRAWINGS. WHEN INSTALLED, THE CONDUIT MUST MAINTAIN THE SAME ANGLE AS THE PAVEMENT THROUGHOUT ITS ENTIRE LENGTH.
 2. FOR HANDHOLE DETAIL SEE SHEET EI-104.
 3. WHEN INSTALLING CONDUIT NEAR OR THROUGH UNDERDRAIN GEOTECHNICAL FABRIC, THE CONTRACTOR SHALL MAINTAIN THE INTEGRITY AND UNIFORMITY OF THE UNDERDRAIN FABRIC THROUGH OVERLAP TO THE SATISFACTION OF THE ENGINEER.

CTE | AECOM

REVISIONS	
NAME	DATE

ILLINOIS DEPARTMENT OF TRANSPORTATION
 F.A.I. 90/94 (DAN RYAN EXPRESSWAY)
 63RD STREET TO GARFIELD BLVD (NB LOCAL LANES)
 TYPICAL DETECTOR
 INSTALLATION

SCALE: NOT TO SCALE
 DATE: June 9, 2006

DRAWN BY: HAR
 CHECKED BY: JPC

EI-103

60A62-188-18 & 19 (continued) 188 (SHEET 188 OF 312)