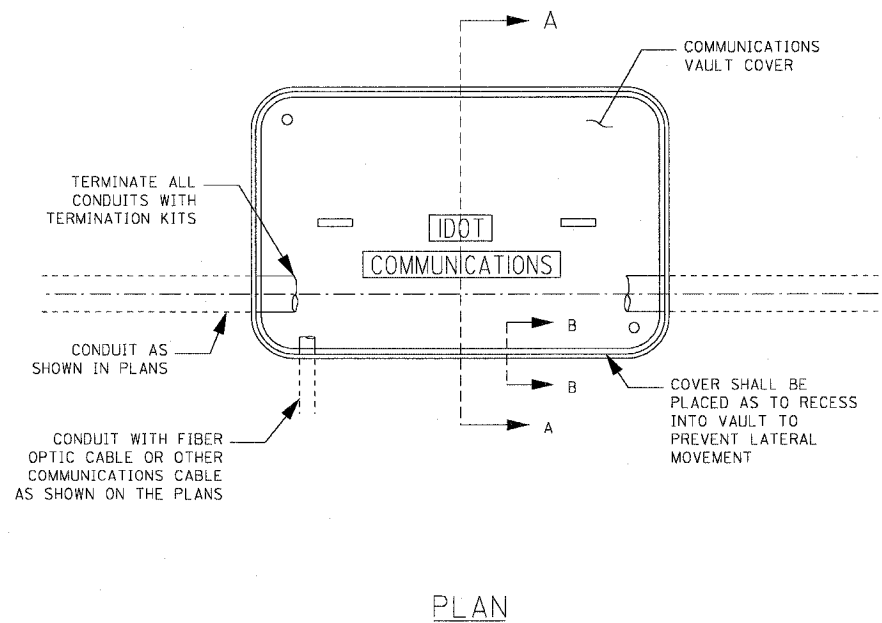
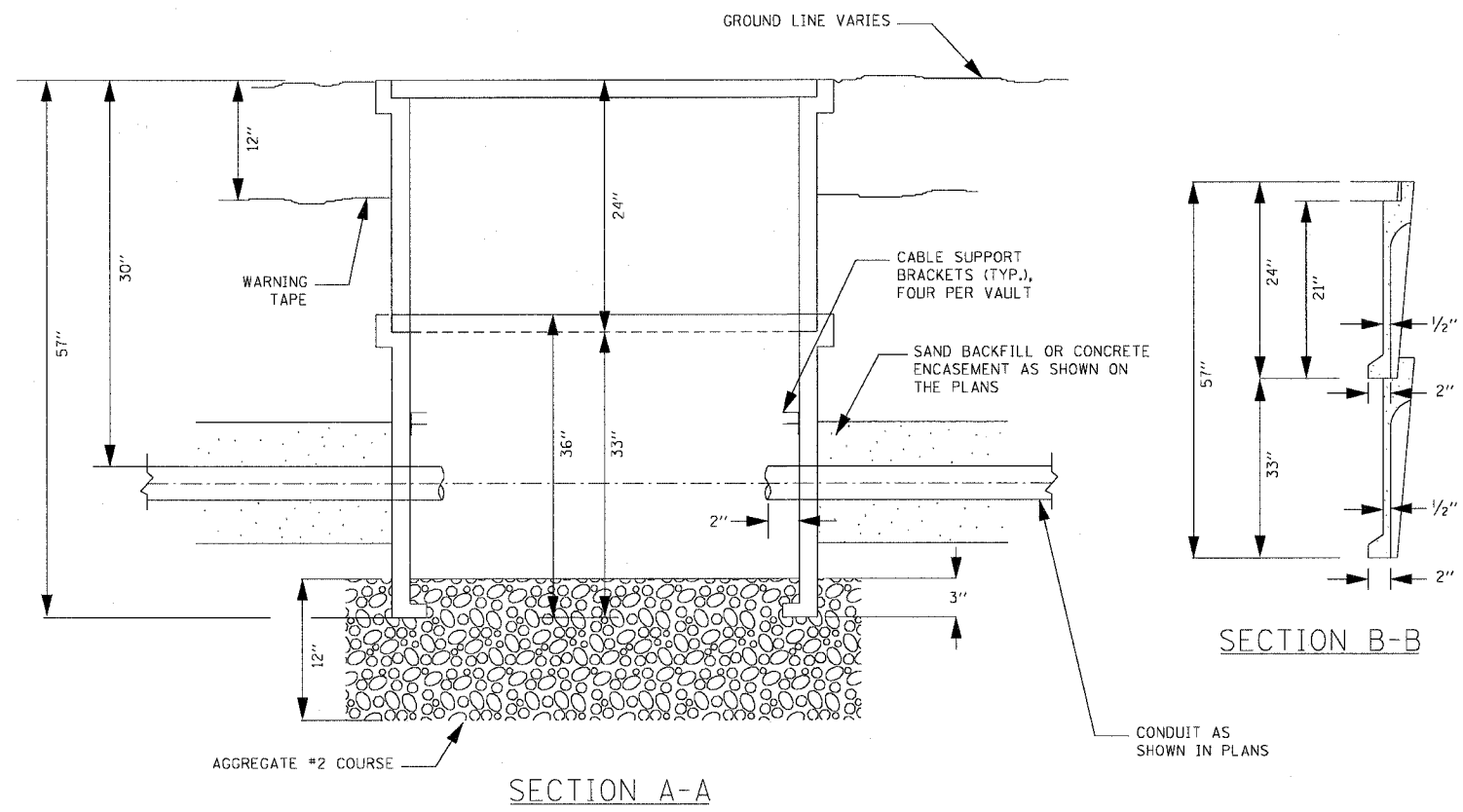
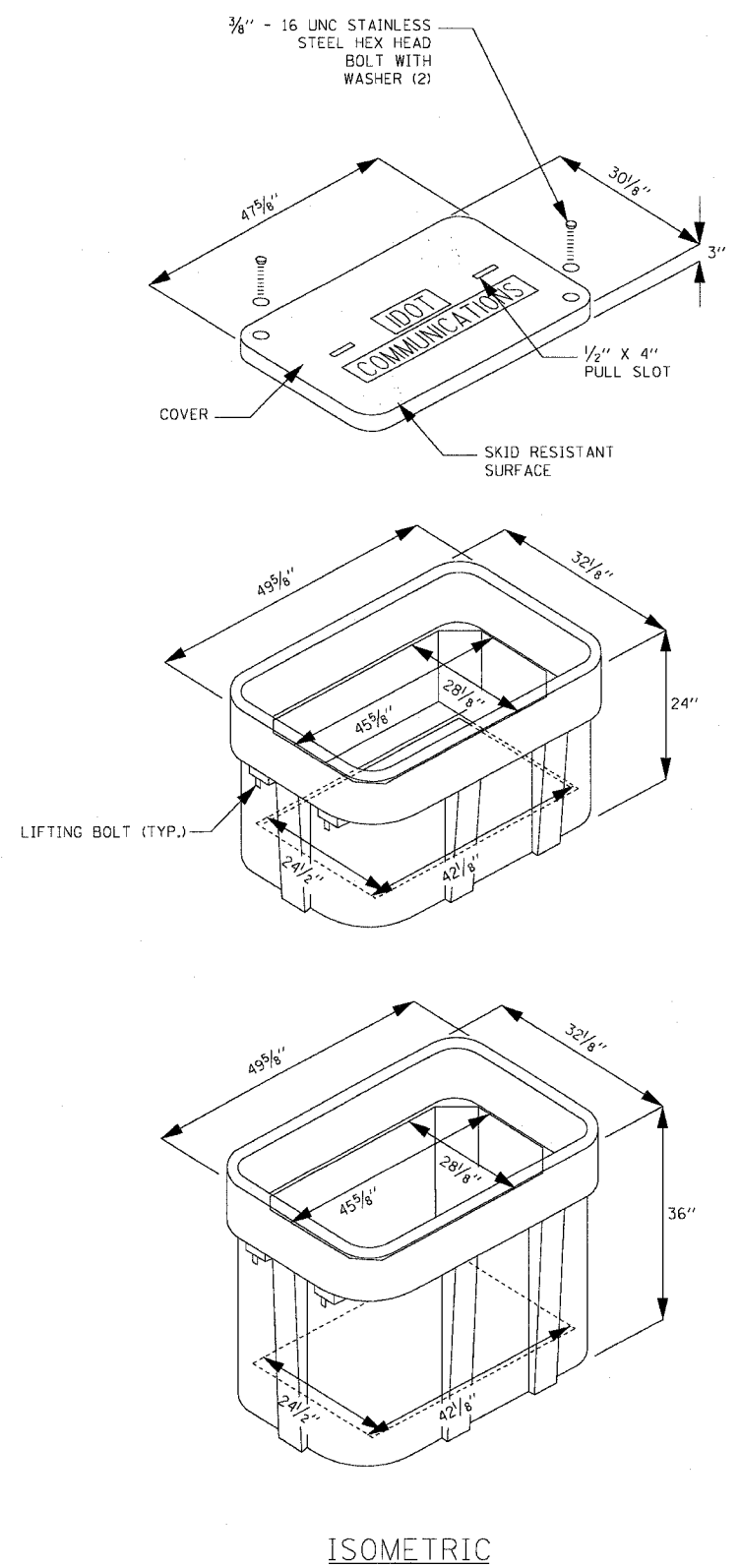


F.A.I. RTE.	SECTION	COUNTY	TOTAL SHEETS	SHEET NO.
90/94	*	COOK	312	190
STA.		TO STA.		
FED. ROAD DIST. NO. 1 ILLINOIS FED. AID PROJECT				
60A62 • (1919.15, 2021-922 PT1 & PT2) R-1				



- NOTES:**
1. BOX SHALL HAVE AN OPEN BASE.
 2. COVER SHALL BE TYPE HA AND SHALL LOCK.
 3. ALL OPENINGS IN STRUCTURE MUST BE MACHINED AT TIME OF FABRICATION OR PUNCH DRIVEN AT TIME OF PLACEMENT.
 4. FIELD PLACEMENT OF COMMUNICATIONS VAULT SHALL BE AS DIRECTED BY THE ENGINEER.

REVISIONS	
NAME	DATE

EI-105

ILLINOIS DEPARTMENT OF TRANSPORTATION
 F.A.I. 90/94 (DAN RYAN EXPRESSWAY)
 63RD STREET TO GARFIELD BLVD (NB LOCAL LANES)

**COMMUNICATIONS VAULT DETAILS
 (HANDHOLE TYPE C1)**

SCALE: NTS
 DATE: June 9, 2006

DRAWN BY: HAR
 CHECKED BY: JPC



p:\p04\60a62\60a62-18-19\cont\ref\60a62-18-19-190.dwg