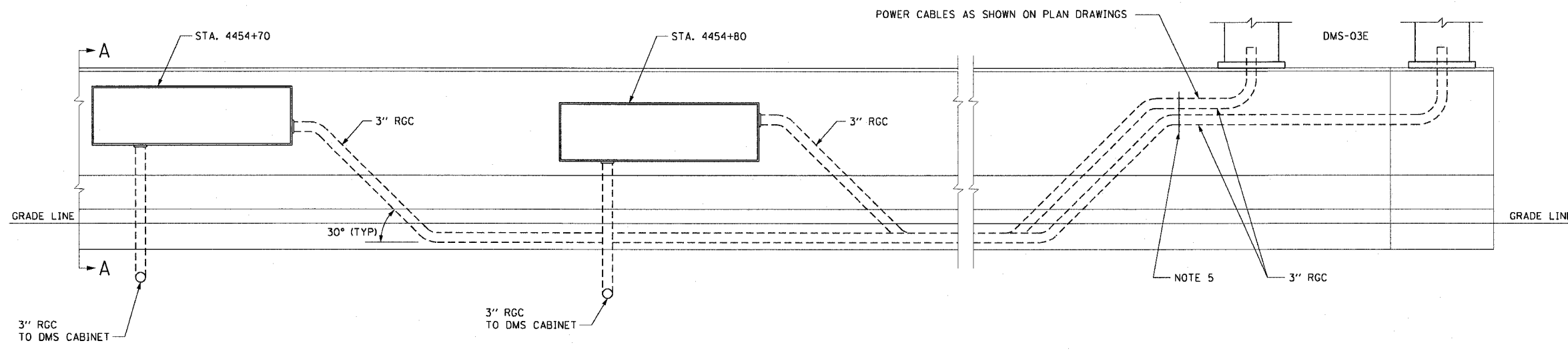
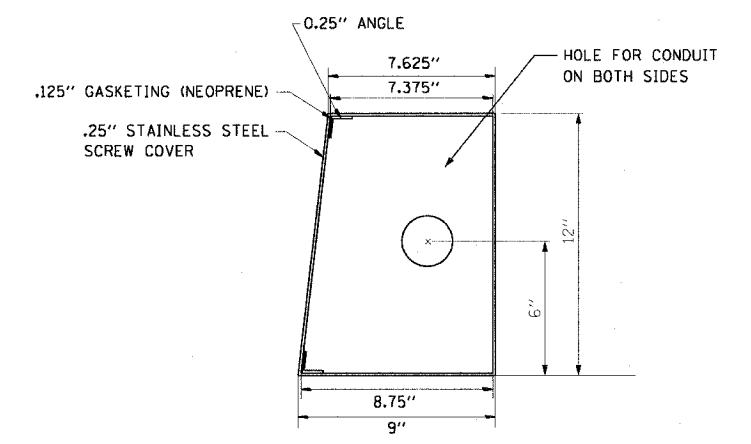


F.A.I. RTE.	SECTION	COUNTY	TOTAL SHEETS	SHEET NO.
90/94	*	COOK	312	193
STA.		TO STA.		
60A62		1919.15, 2021-922 PT1 & PT2 R-1		

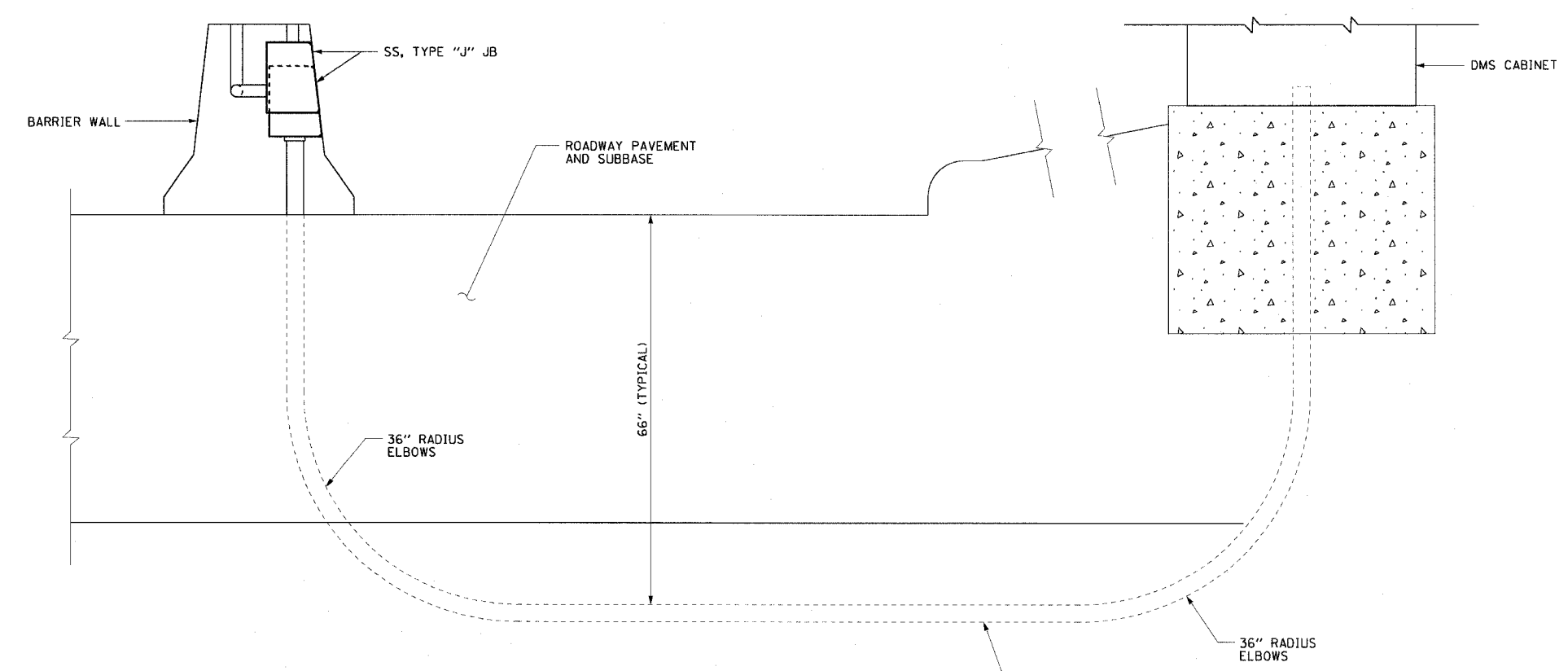


- NOTES:
- SEE DRAWINGS EI-100 AND EI-101 FOR ELECTRICAL SYMBOLS AND ABBREVIATIONS.
  - ALL WELDS MUST BE CONTINUOUS AND LEAK PROOF. BOX AND COVER MUST BE .25" TYPE 316 STAINLESS STEEL.
  - ALL CONDUIT AND JUNCTION BOXES SHOWN IN BARRIER WALLS OR UNDER PAVEMENT ARE FURNISHED AND INSTALLED IN CONTRACT 60A62. ALL ELECTRIC CABLES ARE FURNISHED AND INSTALLED UNDER CONTRACT 62583.
  - CABINET AND CONDUIT ENTRY CONFIGURATION IS TYPICAL. SEE PLAN SHEETS FOR SPECIFIC CONFIGURATION.
  - THE CONTRACTOR SHALL LOCATE THE EXISTING 3" RGC CONDUITS INSTALLED IN THE BARRIER WALL IN 100T CONTRACT 62300 AND CONTINUE THEM TO JUNCTION BOXES.

1 BARRIER WALL DUCT DETAIL ELEVATION  
NOT TO SCALE



3 SPECIAL JUNCTION BOX  
TYPE "J" - SIDE VIEW  
NOTE 2



2 SECTION A-A  
NOTE 4

REVISIONS	
NAME	DATE

EI-108

ILLINOIS DEPARTMENT OF TRANSPORTATION  
F.A.I. 90/94 (DAN RYAN EXPRESSWAY)  
63RD STREET TO GARFIELD BLVD (NB LOCAL LANES)  
DUCT DETAIL FOR DMS  
CONDUITS IN MEDIAN WALL

SCALE: NOT TO SCALE  
DATE: June 9, 2006

DRAWN BY: HAR  
CHECKED BY: JPC

CTE | AECOM

A:\040408\elect\08-civil\18 & 19\contract 1803\1803\18030202.dwg

06/02/2006 02:47:35 PM