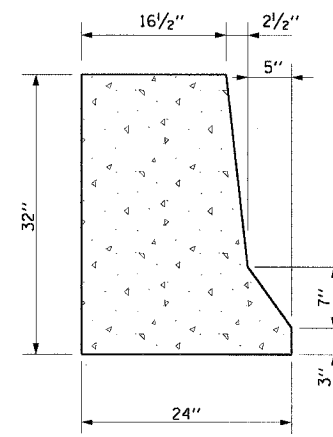
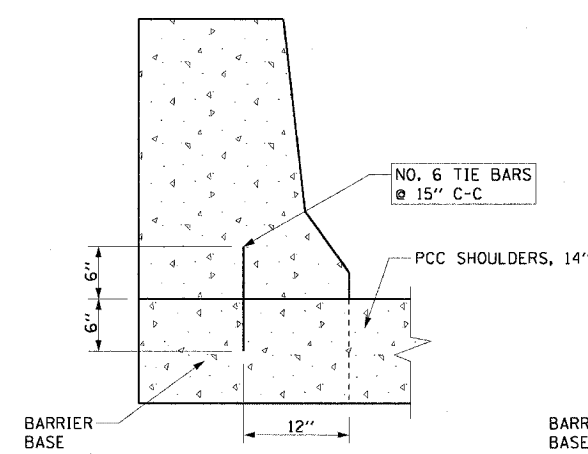


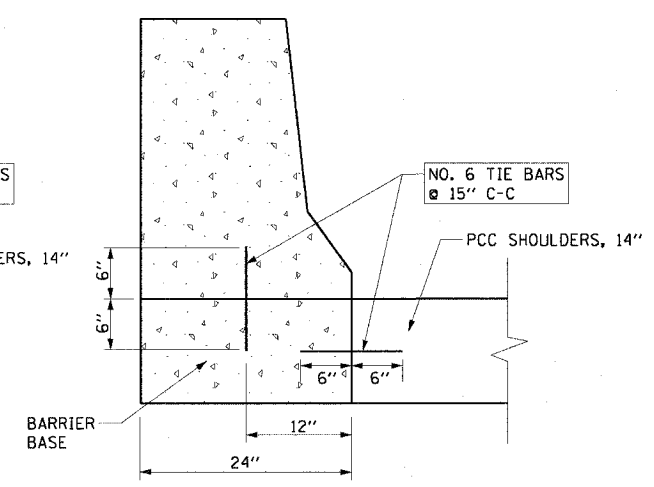
F.A.I. RTE.	SECTION	COUNTY	TOTAL SHEETS	SHEET NO.
90/94	*	COOK	312	209
STA.		TO STA.		
FED. ROAD DIST. NO. 1 ILLINOIS FED. AID PROJECT				
60A62 * (1919.15, 2021-922 PT1 & PT2) R-1				



CONCRETE BARRIER
TYPICAL SECTION

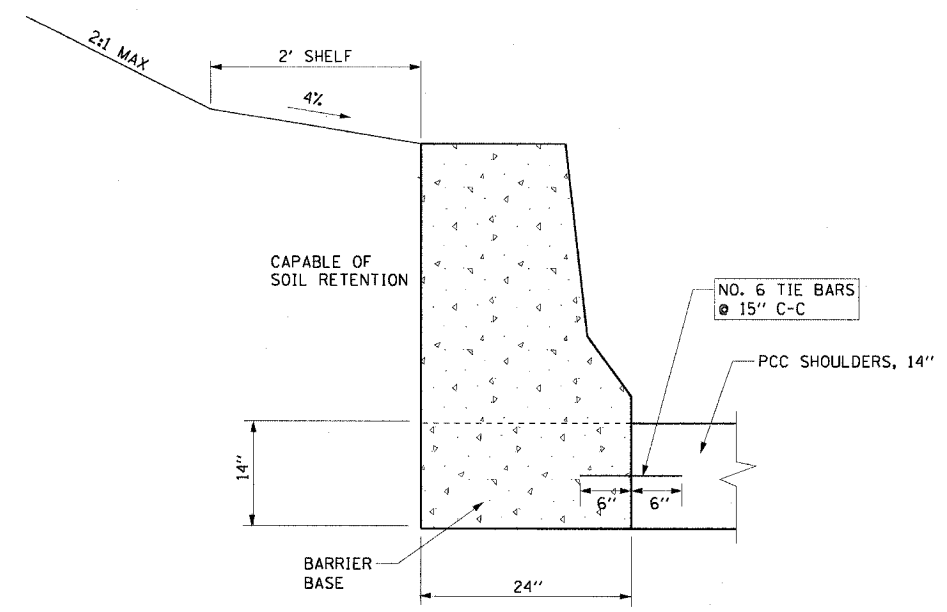


ANCHORING METHOD



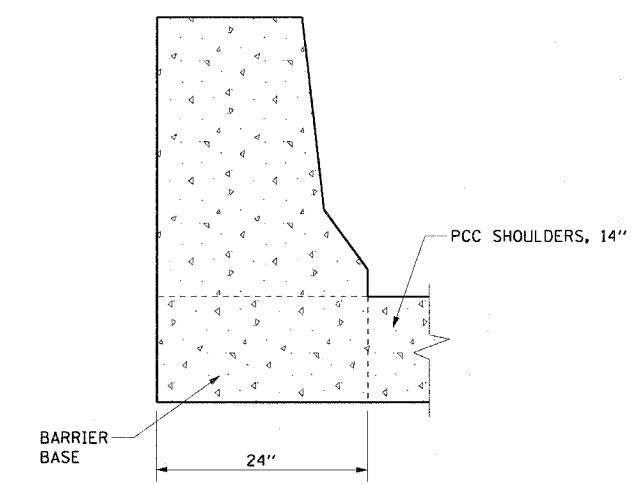
CONCRETE BARRIER ON
INDEPENDANT FOUNDATION

- NOTE:
- TIE BARS SHALL BE EPOXY COATED AND INCLUDED IN THE COST OF CONCRETE BARRIER, SINGLE FACE, 32" HEIGHT AND BARRIER BASE.
 - THE CONTRACTOR HAS THE OPTION OF CHOOSING BETWEEN ANCHORING METHODS SHOWN ON THIS SHEET.



MONOLITHIC CONCRETE BARRIER

IF SOIL RETENTION IS USED, 14" PCC SHOULDER PAVEMENT MUST BE IN PLACE PRIOR TO BACKFILLING BARRIER WALL



CONCRETE BARRIER INTEGRAL
WITH PCC SHOULDERS, 14"

CONCRETE BARRIER, SINGLE FACE, 32" HEIGHT

CTE | AECOM

REVISIONS	
NAME	DATE

RDT-2
ILLINOIS DEPARTMENT OF TRANSPORTATION
F.A.I. 90/94 (DAN RYAN EXPRESSWAY)
63RD STREET TO GARFIELD BLVD (NB LOCAL LANES)
ROADWAY DETAILS
CONCRETE BARRIER, SINGLE FACE, 32" HEIGHT
SCALE: NONE
DATE: June 9, 2006
DRAWN BY: NJH
CHECKED BY: RMC

P:\040466\ch\118\ch\118-ctrls 18 & 19\st\ctrl 18cv\roadway details\mcb32\22022.sif 9:33:18 AM 6/5/2006