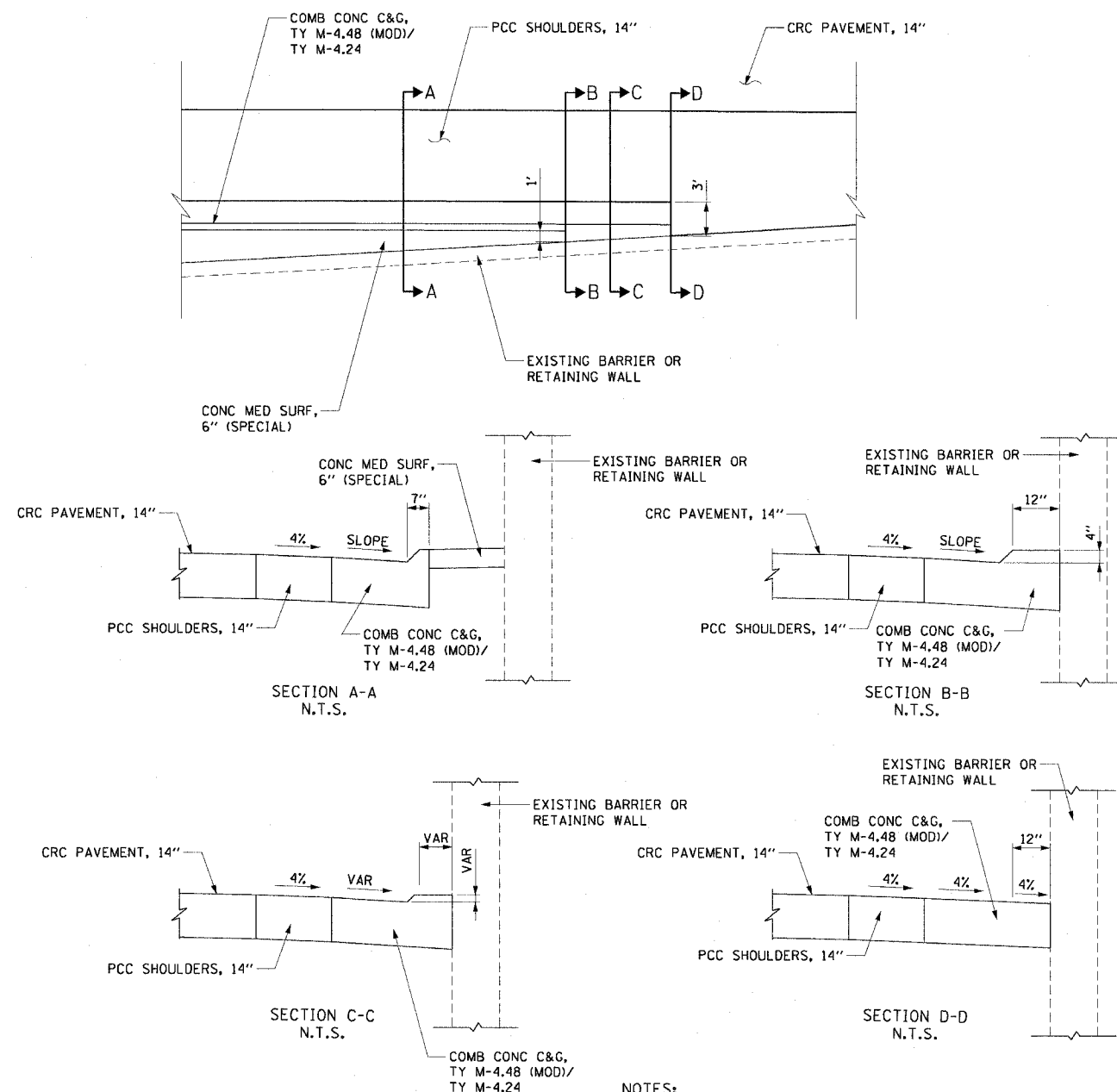


F.A.I. RTE.	SECTION	COUNTY	TOTAL SHEETS	SHEET NO.
90/94		COOK	312	211
STA.	TO STA.			
60A62	6063+41.17			
FED. ROAD DIST. NO. 1 ILLINOIS FED. AID PROJECT				
• (1919.15, 2021-922 PT1 & PT2) R-1				

VARIABLE CURB WIDTH AND GUTTER TRANSITIONS FOR COMB CONC C&G, TY M-4.24 & TY M-4.48 (MOD)
N.T.S.

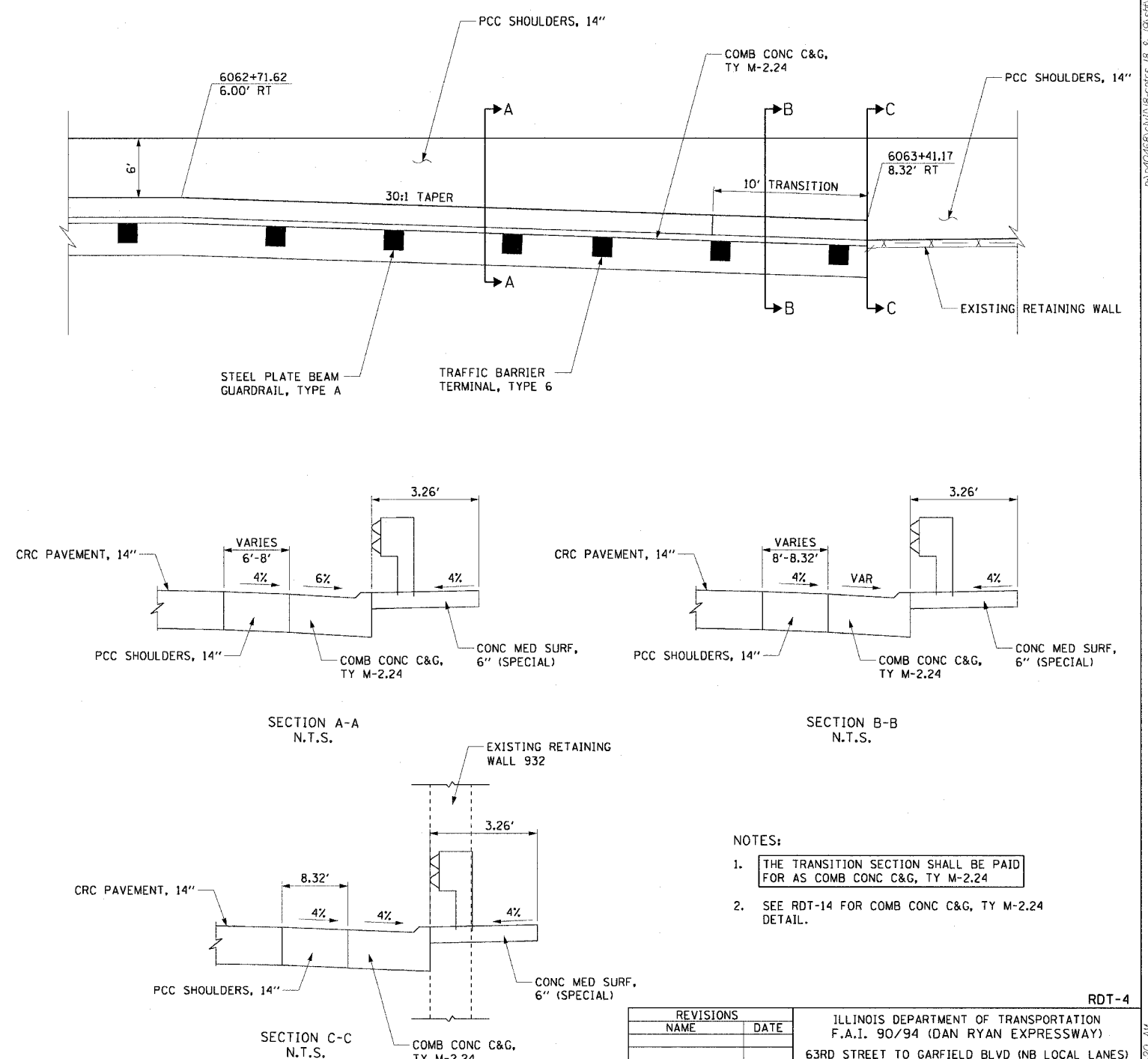
STA 4417+43.35
STA 4432+41.52
STA 4440+60.48
STA 4444+25.97
STA 8085+03.22
STA 4468+76.53



- NOTES:
1. THE TRANSITION SECTION SHALL BE PAID FOR AS COMB CONC C&G, TY M-4.24 OR TY M-4.48 (MOD).
 2. SEE RDT-14 FOR COMB CONC C&G, TY M-4.48 (MOD) DETAILS.
 3. SLOPE FOR TY M-4.24 IS 6% AND SLOPE FOR TY M-4.48 (MOD) IS 4%.

COMB CONC C&G, TY M-2.24 TRANSITION
N.T.S.

STA 6063+41.17



- NOTES:
1. THE TRANSITION SECTION SHALL BE PAID FOR AS COMB CONC C&G, TY M-2.24
 2. SEE RDT-14 FOR COMB CONC C&G, TY M-2.24 DETAIL.

REVISIONS	
NAME	DATE

ILLINOIS DEPARTMENT OF TRANSPORTATION
F.A.I. 90/94 (DAN RYAN EXPRESSWAY)
63RD STREET TO GARFIELD BLVD (NB LOCAL LANES)

ROADWAY DETAILS
COMB CONC C&G, TY M TRANSITION
COMB CONC C&G, TY M-2.24 TRANSITION

SCALE: NONE
DATE: June 9, 2006

DRAWN BY: NJH
CHECKED BY: RMC



PAV-0408-01/118-ctrls 18 & 19-3/11/06 1800 roadwy details/118/0408-01/118

9/3/2006