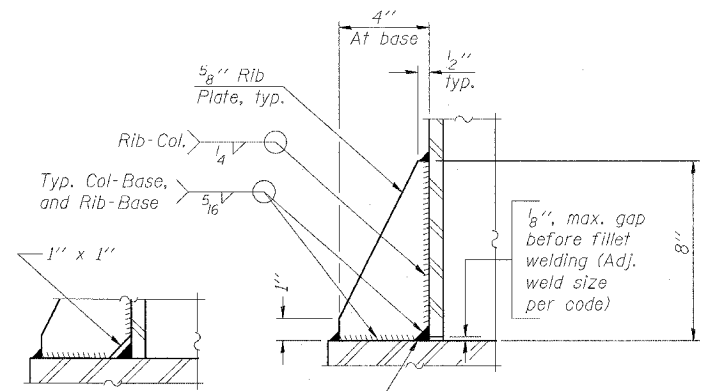
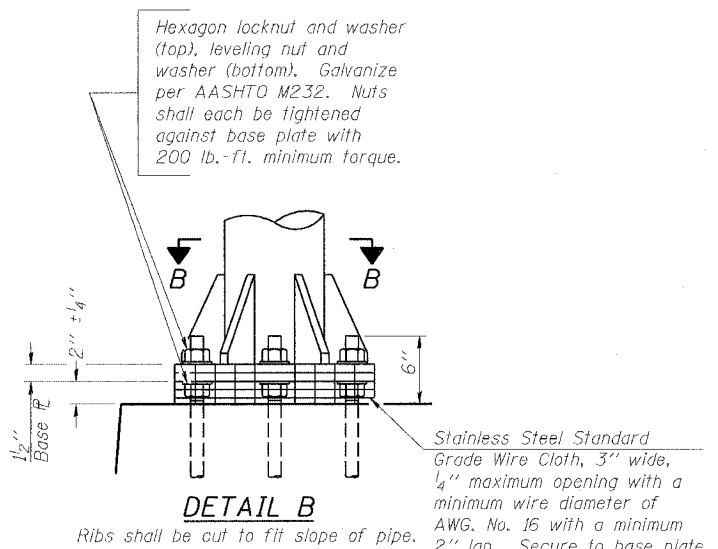


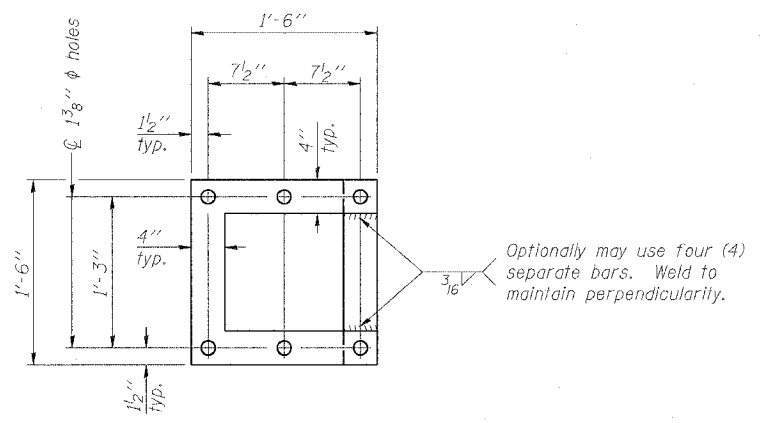
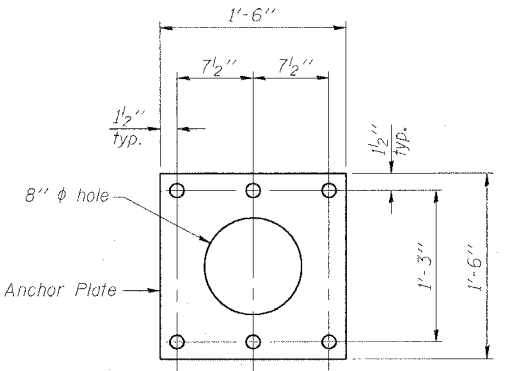
STATE OF ILLINOIS
DEPARTMENT OF TRANSPORTATION

ROUTE NO.	SECTION	COUNTY	SHEET NO.	TOTAL SHEETS
F.A.I. RTE. 90/94		COOK	247	108
FED. ROAD DIST. NO. 1	ALLIGES	FED. AID PROJECT		

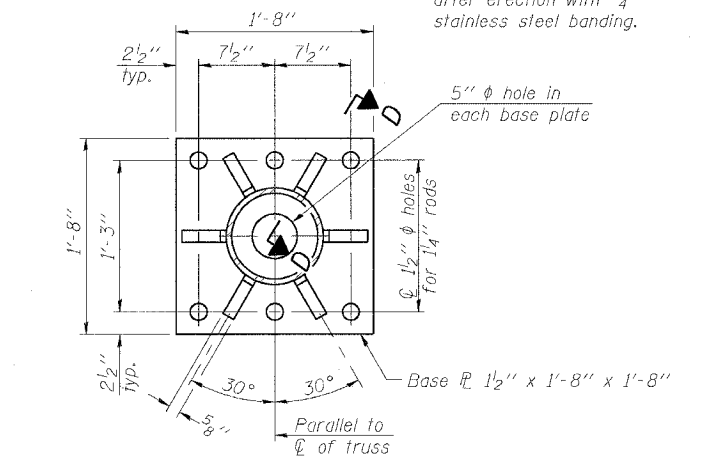
(1915.15 & 2021-522 PT.1) R-2



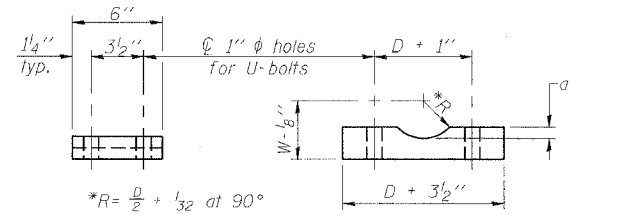
SECTION D-D



POSITIONING PLATE(S)



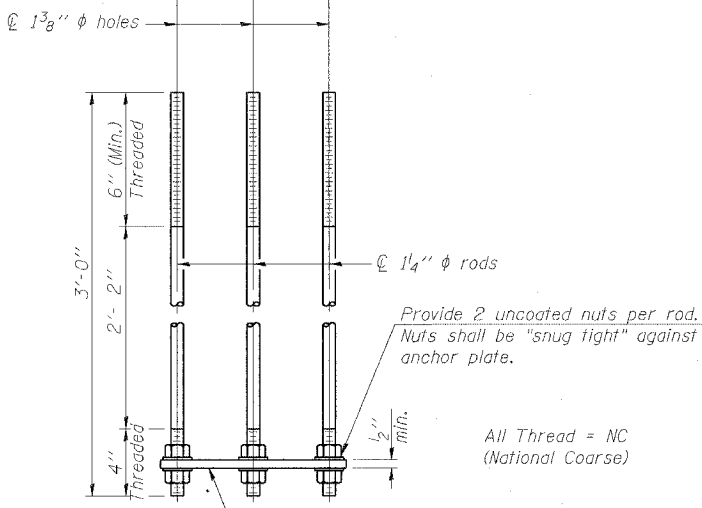
SECTION B-B



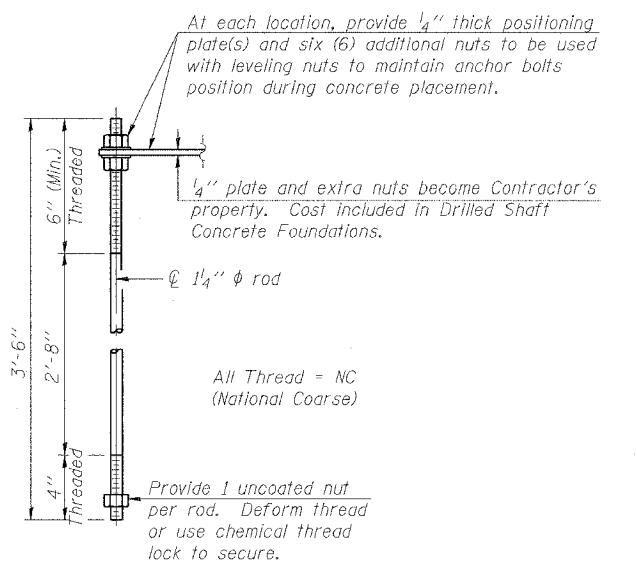
SADDLE SHIM DETAIL

ASTM B26 Alloy 356-F
or
ASTM B209 Alloy 6061-T651
(4 required per sign truss)

Truss Chord Nominal Dia.	a
5"	3 3/4"
5 1/2"	13/16"
6"	7/8"
6 1/2"	15/16"
7"	1"

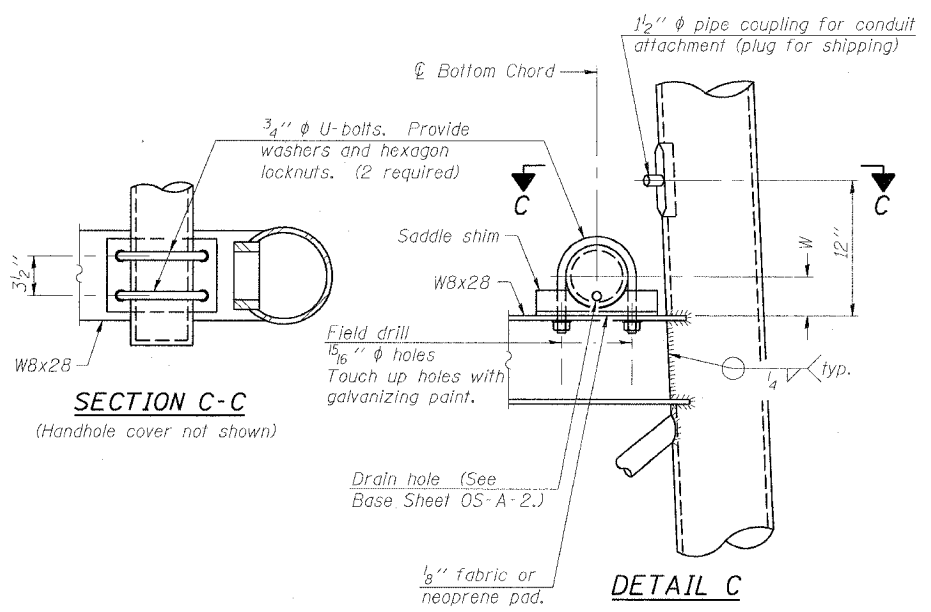


ANCHOR ROD DETAIL
Spread Footing Foundation



ANCHOR ROD DETAIL
Drilled Shaft Foundation

Anchor rods shall conform to AASHTO M314 Grade 36 or 50 and meet Charpy V-Notch (CVN) energy of 15 lb.-ft. at 40° F. Galvanize upper 12" per AASHTO M232. No welding shall be permitted on rods.



SECTION C-C
(Handhole cover not shown)

DETAIL C

10" ϕ PIPE SUPPORT FRAME DETAILS

NUMBER	REVISION	DATE

DESIGNED - JSS	20
CHECKED - MJP	EXAMINED
DRAWN - JSS	PASSED
CHECKED - MJP	ENGINEER OF STRUCTURAL SERVICES
	ENGINEER OF BRIDGES AND STRUCTURES

OS-A-6A 1-7-05

OVERHEAD SIGN STRUCTURES
SUPPORT FRAME DETAILS ALUMINUM TRUSS

F.A.I. 90/94 (DAN RYAN EXPRESSWAY)
63RD STREET TO GARFIELD BLVD (SB LOCAL LANES)
PROPOSED IMPROVEMENT

OSS-10

P:\P\4660\CHINESE\CHRS 18 & 19\STRUCT\19A\Sign\truss\SS19A02A.dgn 6/27/2006 10:24:17 AM