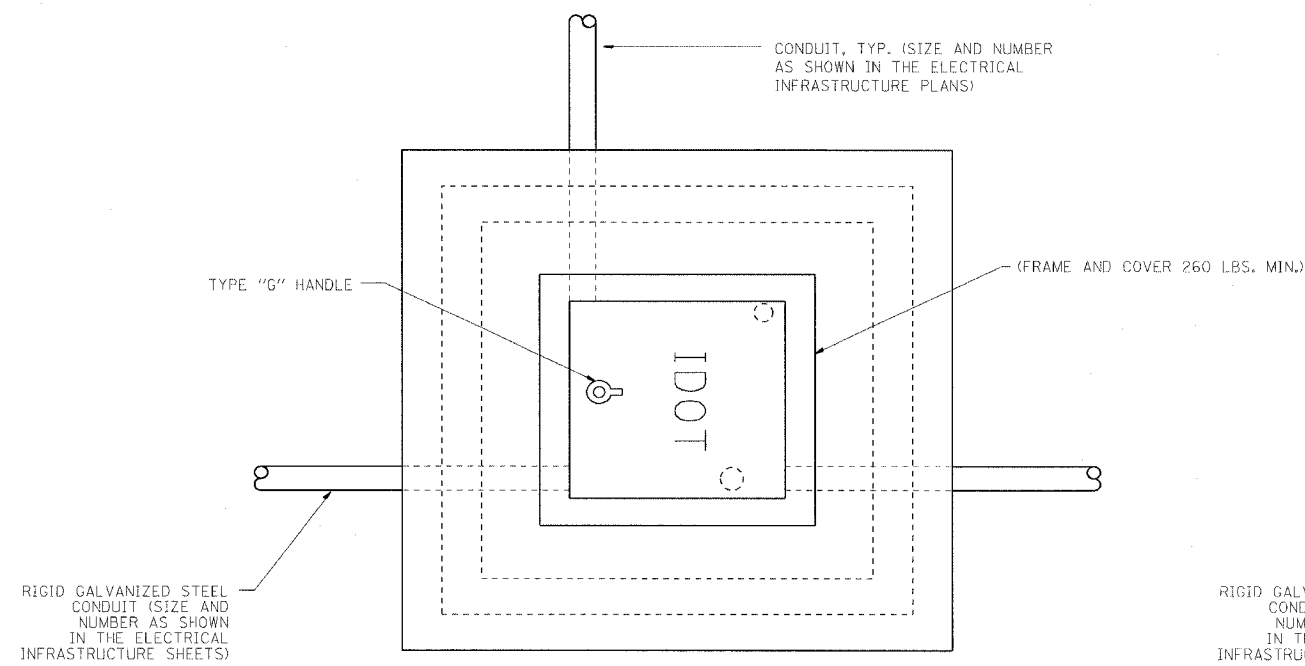
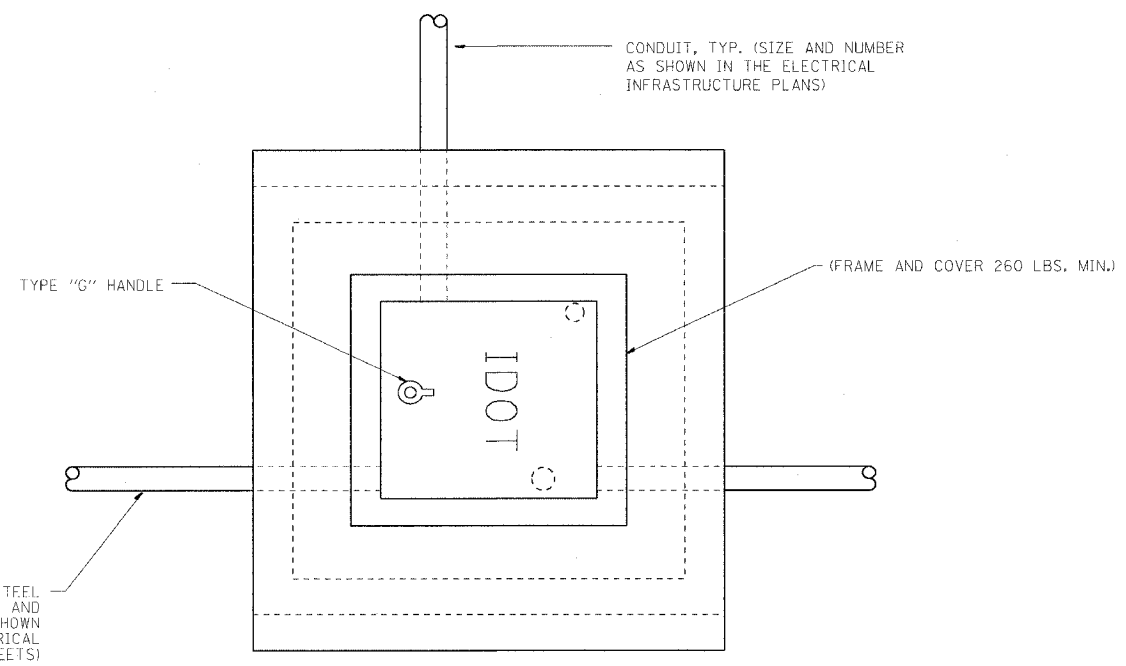


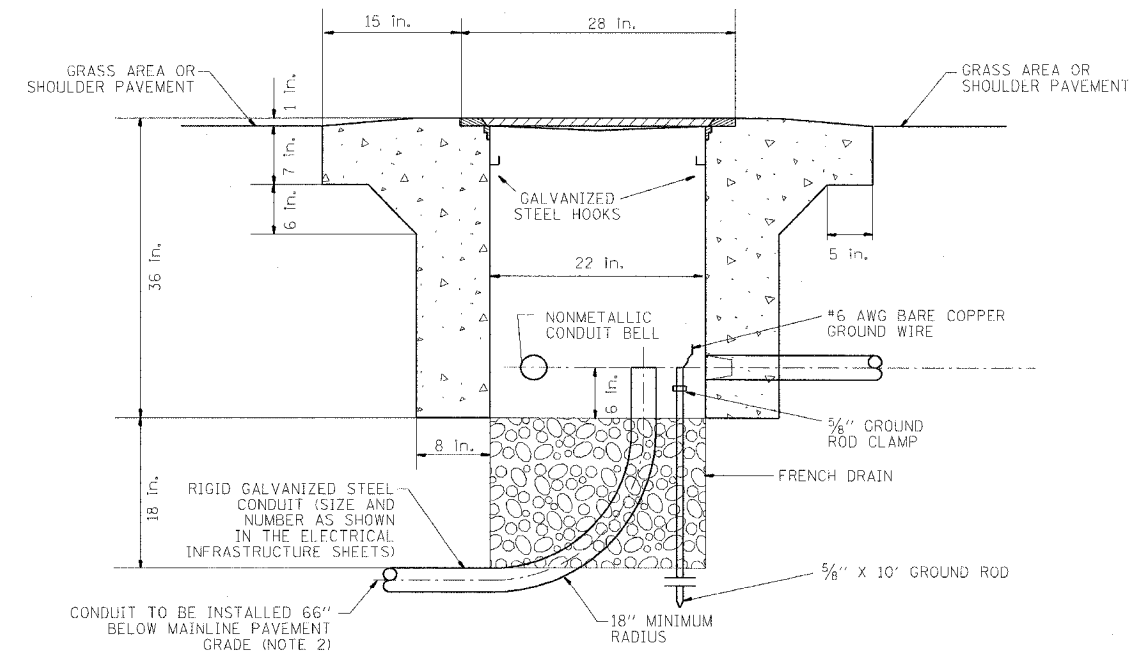
F.A.I. RTE.	SECTION	COUNTY	TOTAL SHEETS	SHEET NO.
90/94	*	COOK	247	143
STA.	TO STA.			
FED. ROAD DIST. NO. 1	ILLINOIS	FED. AID PROJECT		
60A63	* (1919.15, 2021-922 PT1 & PT2) R-2			



PLAN



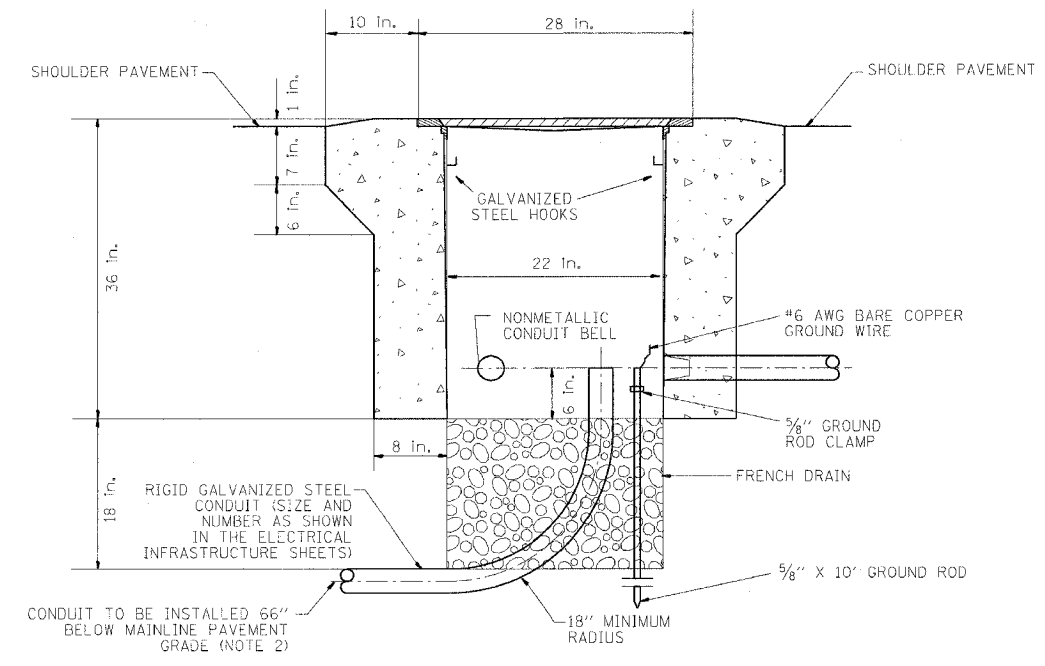
PLAN



ELEVATION

**PC CONCRETE
HEAVY DUTY HANDHOLE, TYPE S1**

(FOR INSTALLATION IN SHOULDER WIDER THAN 6' OR BEHIND PAVED AREA)



ELEVATION

**PC CONCRETE
HEAVY DUTY HANDHOLE, TYPE S1 (SPECIAL)**

(FOR INSTALLATION IN SHOULDER NARROWER THAN 6', 4' MINIMUM WIDTH)

- NOTE:**
1. ALL METALLIC ELEMENTS SHALL BE GROUND IN ACCORDANCE WITH THE NATIONAL ELECTRIC CODE (NEC), SECTION 250, GROUNDING, METAL COVERS AND OTHER EXPOSED CONDUCTIVE SURFACES SHALL BE BONDED IN ACCORDANCE WITH NEC ARTICLE 250.96 (A).
 2. CONDUIT TO BE INSTALLED BELOW MAINLINE PAVEMENT WHERE SHOWN IN THE ELECTRICAL INFRASTRUCTURE PLANS (SEE SHEET EI-103).



REVISIONS	
NAME	DATE

ILLINOIS DEPARTMENT OF TRANSPORTATION
F.A.I. 90/94 (DAN RYAN EXPRESSWAY)
63RD STREET TO GARFIELD BLVD (SB LOCAL LANES)
**PC CONCRETE - HEAVY DUTY HANDHOLE
DETAIL, TYPE S1 AND
TYPE S1 SPECIAL**

SCALE: NOT TO SCALE
DATE: June 9, 2006

DRAWN BY: HAR
CHECKED BY: JPC

EI-104

03/03/30 PH